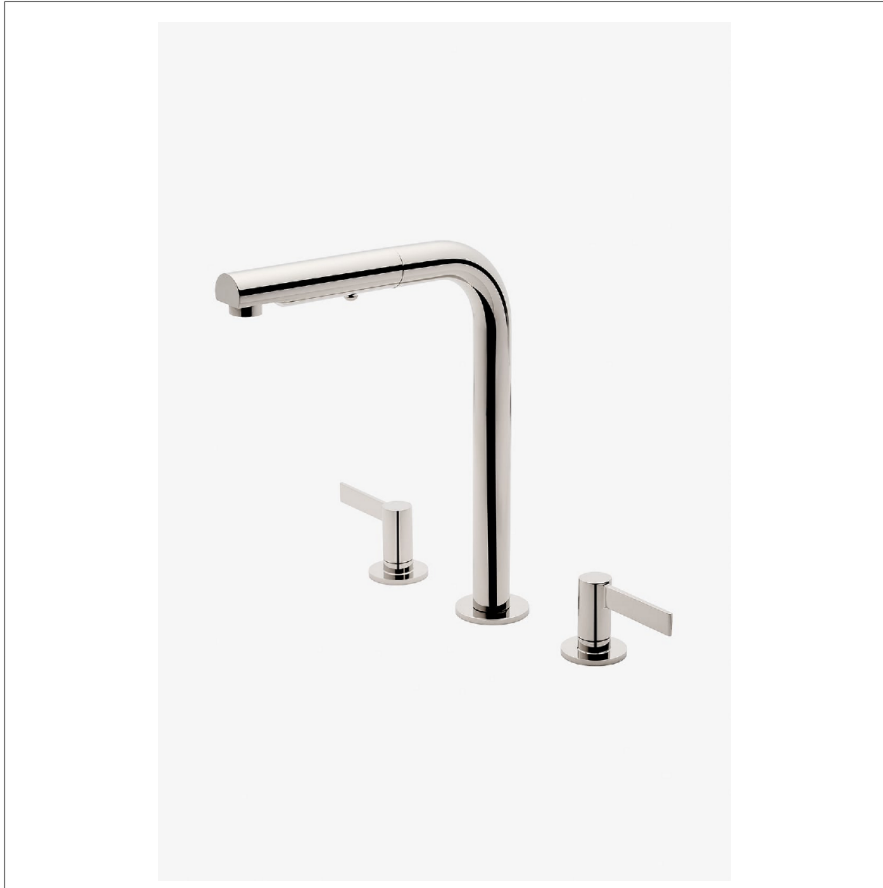


FINOT

NKM320

Three Hole Kitchen Mixer



SHOWN IN THREE HOLE KITCHEN MIXER | NKM320

TECHNICAL DETAILS

ADA Compliance: No
 Adjustable Versus Fixed Spray: Adjustable
 Deck Thickness Maximum: 1 3/16"
 Deck Thickness Minimum: 1/4"
 Depth/Width: 14.53"
 Fittings Hole Diameter: 1 3/8"
 Handle Turn Angle: Quarter Turn
 Handshower Spray Hose Length: 59"
 Height: 14.53"
 Inlet Connection Size: 1/2"
 Inlet Connection Type: Male with Supply Nut
 Length: 20.67"
 Restricted Maximum Flow Rate: 1.75 gpm
 Spray Included In Unit: Y
 Valve Material: Ceramic
 Water Pressure Maximum: 85.0 psi
 Water Pressure Minimum: 20.0 psi
 Water Pressure Recommended: 45.0 psi

INSPIRATION

Finot seamlessly blends meticulous details with contemporary sensibility. A true integration of design and engineering expertise, this collection is comprised of parts that are decisively cast and forged to achieve painstaking precision and refinement.

CODES & STANDARDS

NKM320X, NSF/ANSI/CAN 61:Q < 1, NSF/ANSI/CAN 372, ASME A112.18.1/CSA B125.1

PRODUCT FEATURES

Lever Handle

The pull-out spray faucet switches between an aerated stream and a jet spray, with a sliding button that locks the spray mode.

Stocked in Chrome, Nickel, Brass and Dark Nickel

CERTIFICATIONS



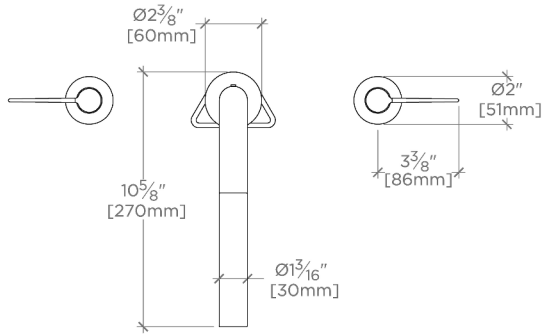
PRODUCT (NOTES)

WATERWORKS

FINOT

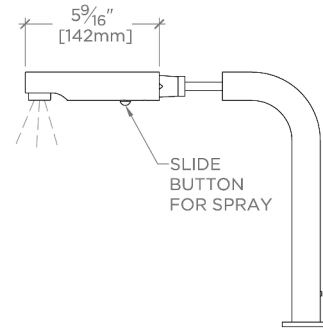
NKM320

Three Hole Kitchen Mixer

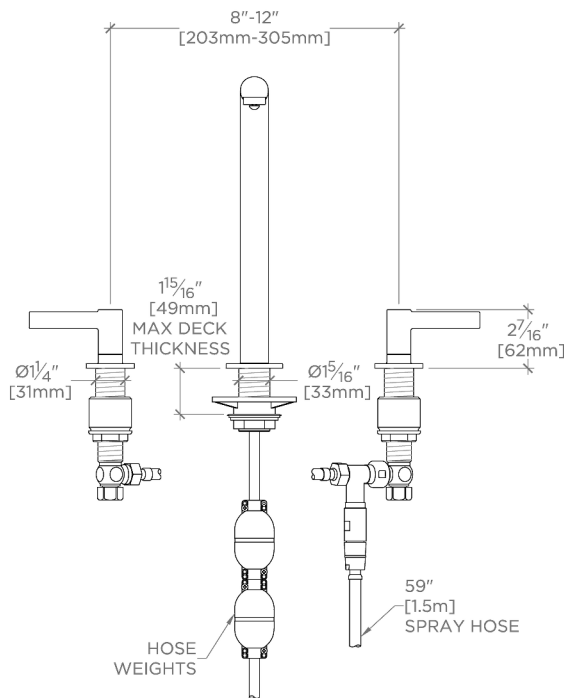


TOP VIEW

SCALE: 1/2"=1'-0"

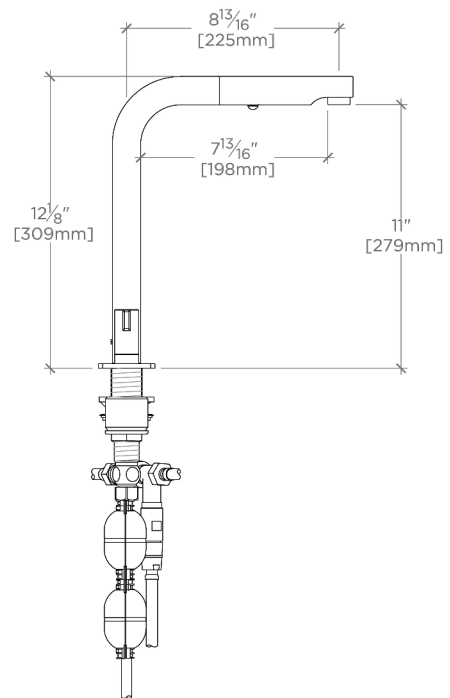


SPRAY OPERATION



FRONT VIEW

SCALE: 1/2"=1'-0"



SIDE VIEW

SCALE: 1/2"=1'-0"