

AERO

AEKM30

Aero Three Hole Gooseneck Kitchen Faucet with Elevated Metal Lever Handles and Spray



SHOWN IN AERO THREE HOLE GOOSENECK KITCHEN FAUCET WITH ELEVATED METAL LEVER HANDLES AND SPRAY | AEKM30

TECHNICAL DETAILS

Adjustable Versus Fixed Spray: Fixed Spray
 Deck Thickness Maximum: 2"
 Deck Thickness Minimum: 1/4"
 Depth/Width: 10 13/16"
 Fittings Hole Diameter: 1 3/8"
 Handle Spread Maximum: 12"
 Handle Spread Minimum: 8"
 Handle Turn Angle: Quarter Turn
 Handshower Spray Hose Length: 49"
 Height: 13 3/8"
 Inlet Connection Size: 1/2"
 Inlet Connection Type: Male with Supply Nut
 Restricted Maximum Flow Rate: 1.2 gpm
 Spray Included In Unit: Y
 Valve Material: Ceramic
 Water Pressure Maximum: 80.0 psi
 Water Pressure Minimum: 25.0 psi
 Water Pressure Recommended: 45.0 psi

INSPIRATION

Inspired by the stepped detail of 19th century telescopes, Aero is a combination of historical reference with a contemporary temperament. The result is original and modern, bringing a look of updated elegance.

CODES & STANDARDS

ASME A112.18.1-2018/CSA B125.1-18, CEC

PRODUCT FEATURES

- Metal lever handles
- 9" Gooseneck swivel spout. Integrated diverter to divert water between spout and side spray
- Features signature stepped and gadrooned details on escutcheons and edge of spout
- Stocked in Chrome and Nickel
- Available in 1.75gpm (6.6L/min) flow rate

CERTIFICATIONS

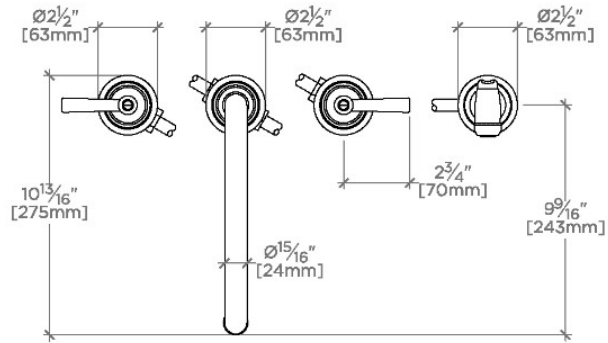
PRODUCT (NOTES)

WATERWORKS

AERO

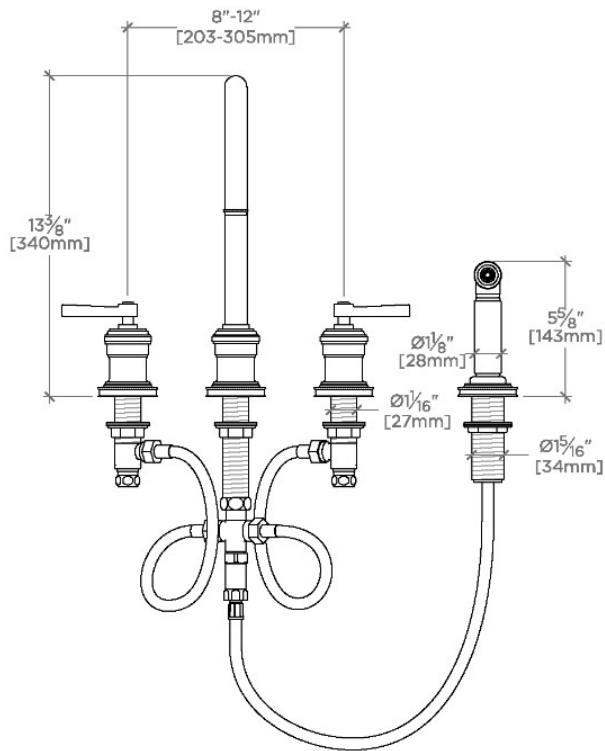
AEKM30

Aero Three Hole Gooseneck Kitchen Faucet with Elevated Metal Lever Handles and Spray



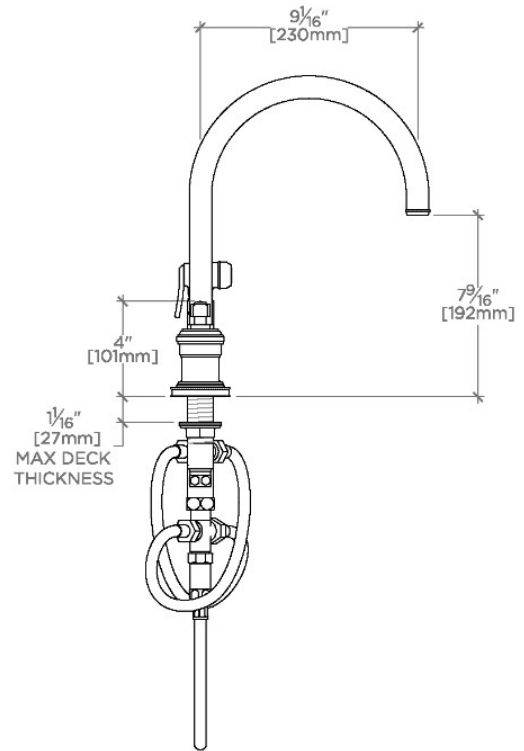
TOP VIEW

SCALE: 1/2"=1'-0"



FRONT VIEW

SCALE: 1/2"=1'-0"



SIDE VIEW

SCALE: 1/2"=1'-0"