

CATIA

CILT03

Catia Wall Mounted Double Arm Sconce with Shades



SHOWN IN CATIA WALL MOUNTED DOUBLE ARM SCONCE WITH SHADES | CILT03

TECHNICAL DETAILS

Ambient Task: Ambient
Bulb Type: Dedicated LED
Depth/Width: 5 3/8"
Height: 10 3/4"
Installation Type: Wall Mounted
Interior Exterior Application: Interior Only
Junction Box Orientation: Vertical
Length: 4 3/16"
Number Of Bulbs: Two
Orientation: Up
Primary Material: Brass
Safety Warnings: ALWAYS DISCONNECT THE POWER BEFORE INSTALLING AND BEFORE CLEANING OR OTHER MAINTENANCE. CONSULT A QUALIFIED, LICENSED ELECTRICIAN TO ENSURE CORRECT BRANCH CIRCUIT CONDUCTOR.
Shade Finish: White or Black
Shade Material: Etched Blown Cased Glass or Metal
Shade Shape: Tapered Cylinder
Suggested Application: Bath, Entry, Kitchen, Laundry
Voltage: 120V
Wet/Dry: Damp or Dry

INSPIRATION

Traditional sconce lighting, reinterpreted in a modern way. In this classic design, familiar silhouettes are reduced to their minimalist essence.

CODES & STANDARDS

cETL

PRODUCT FEATURES

Proprietary design

Solid brass with white glass or black metal shade

cETL Listed; 3000K, 90CRI, 1400Lms

Vertically Mounts

Dimmable LED fixture - 50,000 hours of life

CERTIFICATIONS

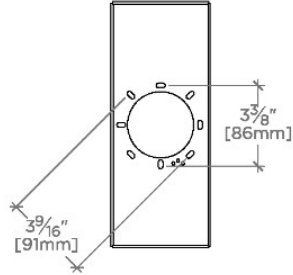
PRODUCT (NOTES)

WATERWORKS

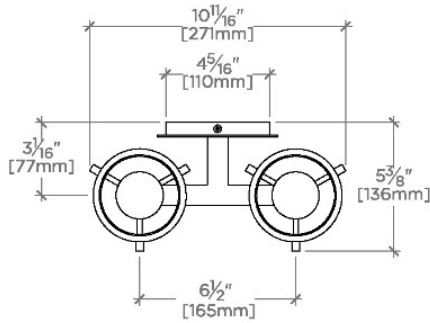
CATIA

CILT03

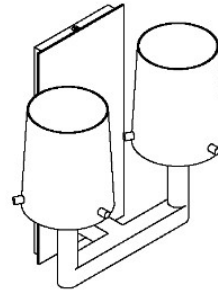
Catia Wall Mounted Double Arm Sconce with Shades



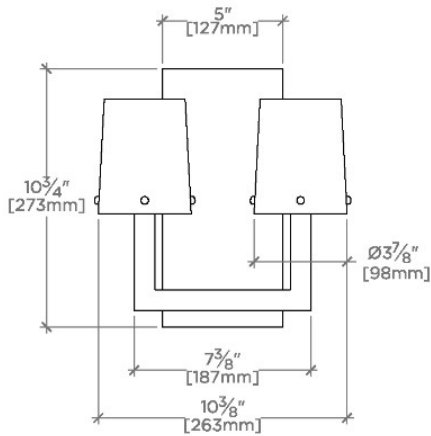
MOUNTING PLATE SCALE: 1½"=1'-0"



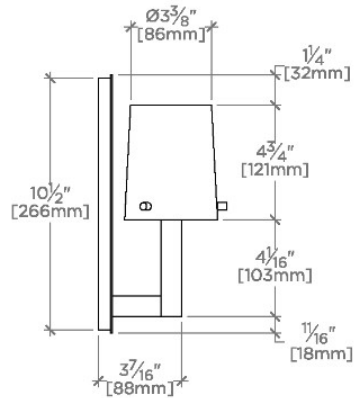
TOP VIEW SCALE: 1½"=1'-0"



ISO VIEW SCALE: 1½"=1'-0"



FRONT VIEW SCALE: 1½"=1'-0"



SIDE VIEW SCALE: 1½"=1'-0"