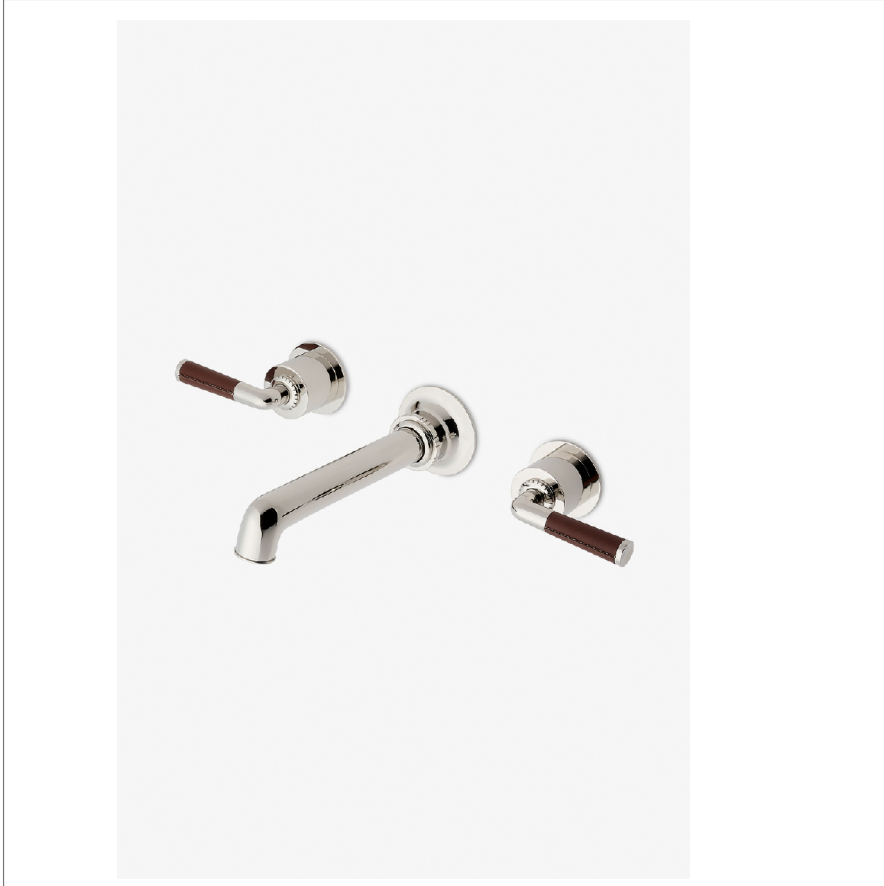


## Henry Chronos

CLS315

Henry Chronos Wall Mounted Lavatory Faucet with Leather Lever Handles



SHOWN IN HENRY CHRONOS WALL MOUNTED LAVATORY FAUCET WITH LEATHER LEVER HANDLES | CLS315

### TECHNICAL DETAILS

ADA Compliance: Yes  
 Drain Depth Maximum: 51 mm  
 Drain Depth Minimum: 10 mm  
 Drain Hole Diameter: 38 mm  
 Drain Style: Push Touch  
 Fittings Hole Diameter: 35 mm  
 Flow Restriction Options: 1.2  
 Handle Spread Maximum: 203 mm  
 Handle Spread Minimum: 203 mm  
 Handle Turn Angle: Quarter Turn  
 Inlet Connection Size: 1/2"  
 Inlet Connection Type: Female NPT & Male BSPP  
 Inlet Supply Spread Maximum: 203 mm  
 Inlet Supply Spread Minimum: 203 mm  
 Number Of Holes: Three Hole  
 Primary Material: Brass  
 Restricted Maximum Flow Rate: 4.5 liters/min  
 Spout Swivel: N  
 Valve Material: Brass and Ceramic  
 Water Pressure Maximum: 6.0 bar  
 Water Pressure Minimum: 1.5 bar  
 Water Pressure Recommended: 3.0 bar

### INSPIRATION

Inspired by dive watches, Henry Chronos radiates design prowess and technical precision. Chronos retains the design integrity of our original, iconic Henry collection, while imbuing it with modern details and exquisite materials.

### CODES & STANDARDS

CLS315X, NSF/ANSI/CAN 61:Q < 1, NSF/ANSI/CAN 372, ASME A112.18.1/CSA B125.1, CEC, DOE, State of MA

### PRODUCT FEATURES

Features Leather Lever Handles

Includes a Universal Push Touch Drain Sized to Fit US and Euro Sink Drain Openings

Stocked in Brass, Chrome and Nickel

Available in 1.2gpm (4.5L/min) Flow Rate

### CERTIFICATIONS

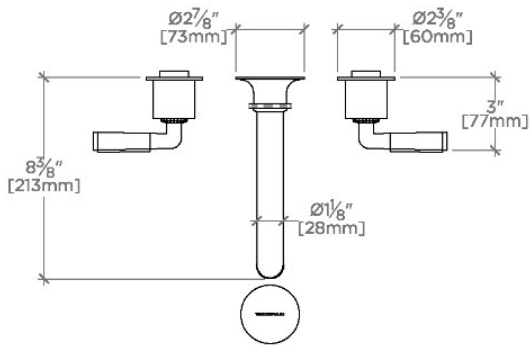


### PRODUCT (NOTES)

## Henry Chronos

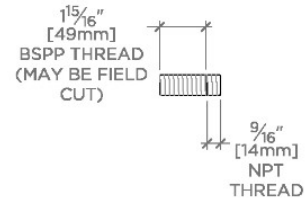
CLS315

Henry Chronos Wall Mounted Lavatory Faucet with Leather Lever Handles



TOP VIEW

SCALE:  $\frac{1}{2}$ "=1'-0"

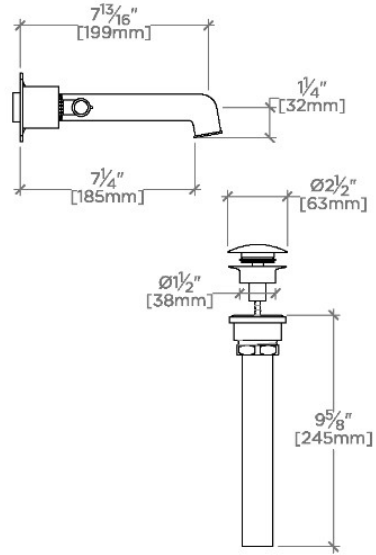


ADAPTER INCLUDED - INTERNATIONAL USE ONLY



FRONT VIEW

SCALE:  $\frac{1}{2}$ "=1'-0"



SIDE VIEW

SCALE:  $\frac{1}{2}$ "=1'-0"