

Henry

HNS357

Henry 5" Showerhead with Adjustable Spray with 12" Wall Mounted 90 Degree Shower Arm



SHOWN IN HENRY 5" SHOWERHEAD WITH ADJUSTABLE SPRAY WITH 12" WALL MOUNTED 90 DEGREE SHOWER ARM | HNS357

TECHNICAL DETAILS

Adjustable Versus Fixed Spray: Adjustable Spray
Fittings Hole Diameter: 32 mm
Inlet Connection Size: 1/2"
Inlet Connection Type: Male NPT
Pivot: Y
Primary Material: Brass
Restricted Maximum Flow Rate: 6.6 liters/min
Water Pressure Maximum: 6.0 bar
Water Pressure Minimum: 1.5 bar
Water Pressure Recommended: 3.0 bar

INSPIRATION

Influenced by the connection of industry and art Henry easily transitions between modern, traditional, utilitarian and classic settings.

CODES & STANDARDS

HNS357X, ASME A112.18.1/CSA B125.1, CEC(1.5GPM & 1.75GPM Only), DOE, State of MA

PRODUCT FEATURES

Made of Brass

Features a swivel 5" showerhead with three adjustable spray patterns

Includes a 12" wall mounted 90 degree shower arm

Stocked in Brass, Chrome and Nickel

Showerhead available in 1.75gpm (6.6L/min) flow rate

CERTIFICATIONS

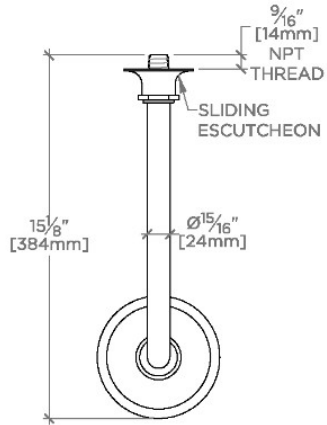


PRODUCT (NOTES)

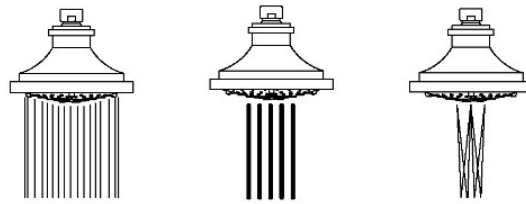
Henry

HNS357

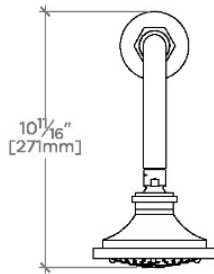
Henry 5" Showerhead with Adjustable Spray with 12" Wall Mounted 90 Degree Shower Arm



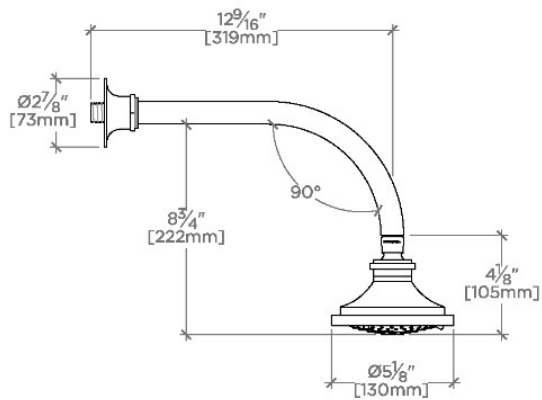
TOP VIEW SCALE: 1 1/2"=1'-0"



SPRAY PATTERNS



FRONT VIEW SCALE: 1 1/2"=1'-0"



SIDE VIEW SCALE: 1 1/2"=1'-0"