

## FALLBROOK

Fallbrook 4 1/4" Leather Pull

FKHW04

---

### TECHNICAL DETAILS

Height: 54 mm  
Length: 117 mm



SHOWN IN FALLBROOK LEATHER HINGED PULL

---

### INSPIRATION

Recalling a touch of '40s glamour and classic equestrian vibe in its hand-stitched Italian leather and solid hand-polished brass, Fallbrook drop pulls and knobs lend a rich, enduring appeal to modern and transitional rooms.

---

### PRODUCT FEATURES

Fine Italian Leather

Machine-stitched, hand-assembled in Europe

Knobs offered in Tan, Chocolate or Chestnut leather; Pulls offered in Chocolate leather

Includes per fixing: Machine Screw-POSI-Pan Head M4 X 25MM and Machine Screw-POSI-Pan Head M4 X 35MM

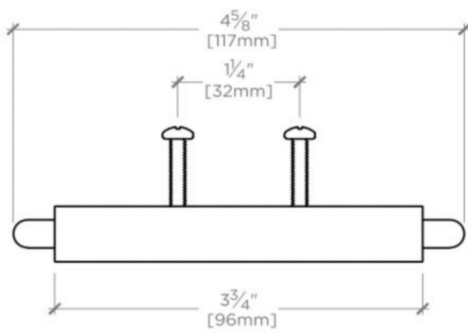
# WATERWORKS

## FALLBROOK

FKHW04

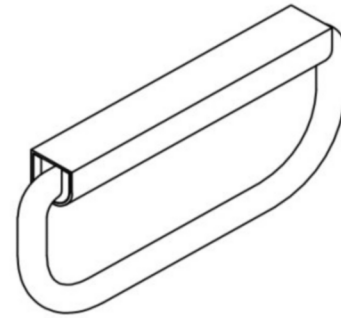
Fallbrook 4 1/4" Leather Pull

| MOUNTING HARDWARE INCLUDED |   |     |
|----------------------------|---|-----|
| STYLE #                    | DESCRIPTION   | QTY |
| 998939                     | Service Parts Rear Fixing MACHINE SREW-POSI-PAN HEAD M4 X 25MM  | 2   |
| 998940                     | Service Parts Rear Fixing MACHINE SCREW-POSI-PAN HEAD M4 X 35MM | 2   |



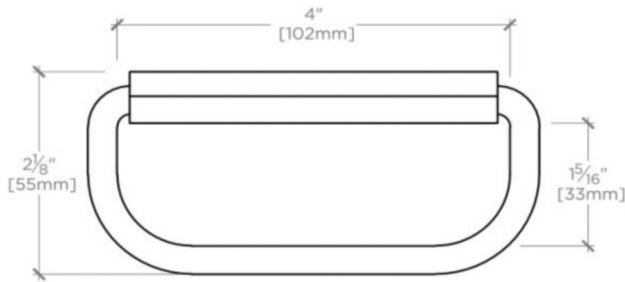
TOP VIEW

SCALE: 6"=1'-0"



ISO VIEW

SCALE: 6"=1'-0"



FRONT VIEW

SCALE: 6"=1'-0"



SIDE VIEW

SCALE: 6"=1'-0"