

Henry Chronos

CLS314

Henry Chronos Wall Mounted Lavatory Faucet with Walnut Lever Handles



SHOWN IN HENRY CHRONOS WALL MOUNTED LAVATORY FAUCET WITH WALNUT LEVER HANDLES | CLS314

TECHNICAL DETAILS

ADA Compliance: Yes
 Drain Depth Maximum: 51 mm
 Drain Depth Minimum: 10 mm
 Drain Hole Diameter: 38 mm
 Drain Style: Push Touch
 Fittings Hole Diameter: 35 mm
 Flow Restriction Options: 1.2
 Handle Spread Maximum: 203 mm
 Handle Spread Minimum: 203 mm
 Handle Turn Angle: Quarter Turn
 Inlet Connection Size: 1/2"
 Inlet Connection Type: Female NPT & Male BSPP
 Inlet Supply Spread Maximum: 203 mm
 Inlet Supply Spread Minimum: 203 mm
 Number Of Holes: Three Hole
 Primary Material: Brass
 Restricted Maximum Flow Rate: 4.5 liters/min
 Spout Swivel: N
 Valve Material: Brass and Ceramic
 Water Pressure Maximum: 6.0 bar
 Water Pressure Minimum: 1.5 bar
 Water Pressure Recommended: 3.0 bar

INSPIRATION

Inspired by dive watches, Henry Chronos radiates design prowess and technical precision. Chronos retains the design integrity of our original, iconic Henry collection, while imbuing it with modern details and exquisite materials.

CODES & STANDARDS

CLS314X, NSF/ANSI/CAN 61:Q < 1, NSF/ANSI/CAN 372, ASME A112.18.1/CSA B125.1, CEC, DOE, State of MA

PRODUCT FEATURES

Features Walnut Lever Handles

Includes a Universal Push Touch Drain Sized to Fit US and Euro Sink Drain Openings

Stocked in Brass, Chrome and Nickel

Available in 1.2gpm (4.5L/min) Flow Rate

CERTIFICATIONS

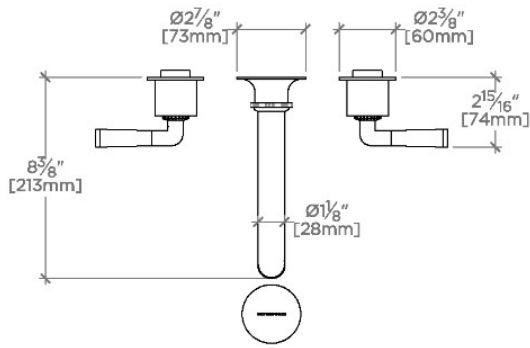


PRODUCT (NOTES)

Henry Chronos

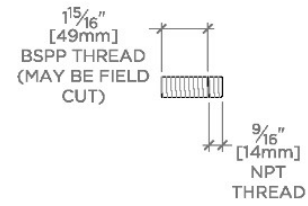
CLS314

Henry Chronos Wall Mounted Lavatory Faucet with Walnut
Lever Handles



TOP VIEW

SCALE: 1 1/2"=1'-0"

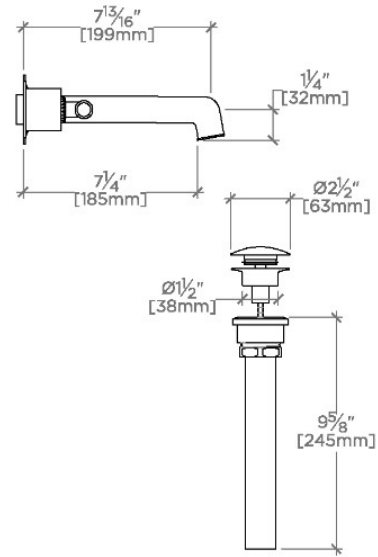


ADAPTER INCLUDED -
INTERNATIONAL USE ONLY



FRONT VIEW

SCALE: 1 1/2"=1'-0"



SIDE VIEW

SCALE: 1 1/2"=1'-0"