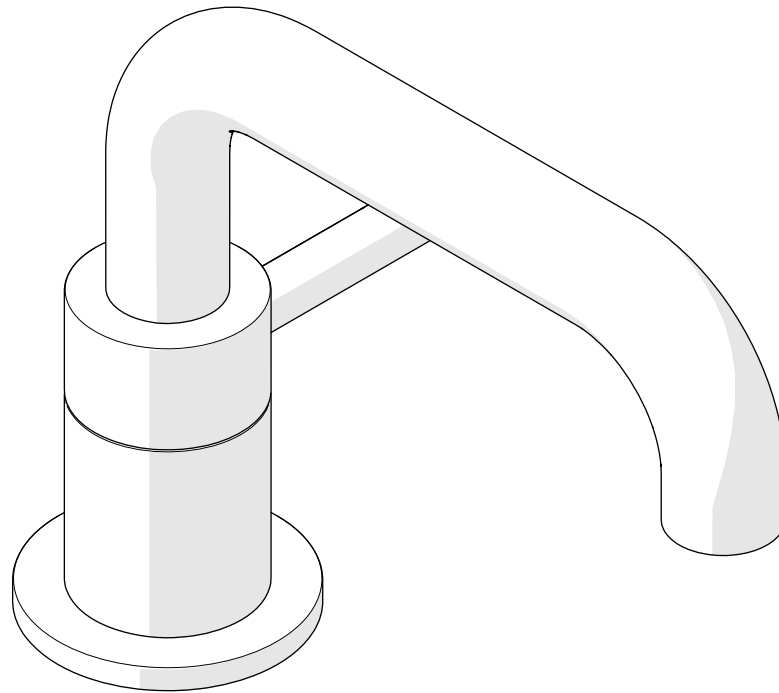


WATERWORKS  
STUDIO

SERVICE PARTS



**STYLE FLLS50**

Flyte Low Profile One Hole Deck Mounted Lavatory Faucet  
with Metal Lever Handle

---

WELCOME TO

# WATERWORKS STUDIO

Over thirty years of experience distilled into signature fittings, surfaces, textiles, and accessories. Waterworks Studio is an edited collection of design solutions curated to be concise, engineered to be complete, and crafted for quality.

*Everything you need, nothing more.*

---

**TO ORDER PARTS CALL  
1 (800) 927-2120 (EXT 2)**

Order by part number and specify color, finish, or other options if required.

**Product Support**

Our Product Support team provides troubleshooting and technical problem resolution, including replacement parts and installation recommendations throughout the life of your product.

Product Support is available Monday through Friday 8AM to 6PM EST.

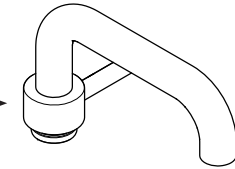
**LIMITED LIFETIME  
WARRANTY**

Our warranty covers repair and replacement of Waterworks products if within the applicable coverage period and deemed defective by Waterworks. Waterworks will, at its option, repair or replace such products; this does not include installation costs, labor charges, or other incidental or consequential costs.

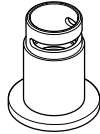
To obtain your complete warranty or inquire about warranty service, please visit us at [www.waterworks.com](http://www.waterworks.com) or contact our Product Support Team.

**MAIN KITS**

**062012\***  
SPOUT



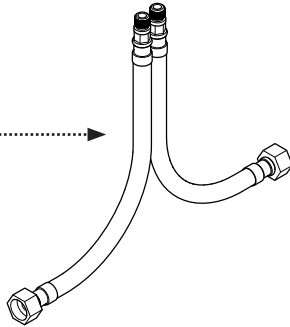
**057322**  
CARTRIDGE



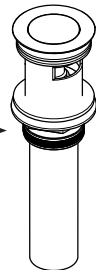
**104200**  
MOUNTING HARDWARE



**754071++**  
HOSE



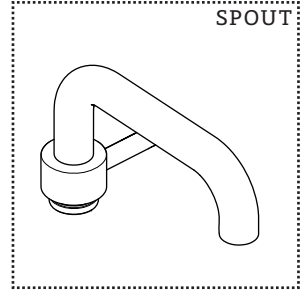
**681006\***  
DRAIN



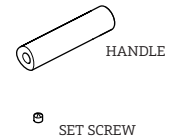
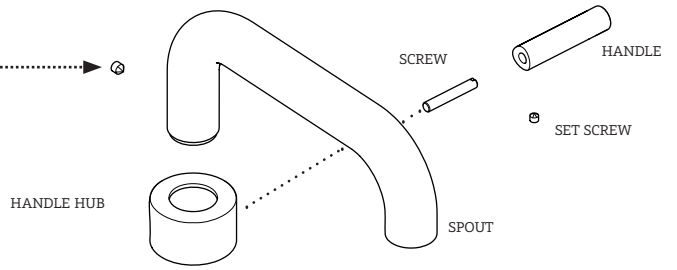
\*FINISH/COLOR MUST BE SPECIFIED WHEN ORDERING  
++SUPPLIED AS A PAIR

**KIT COMPONENTS**

**062012\***  
SPOUT



**103624**  
FASTENING  
SET SCREW

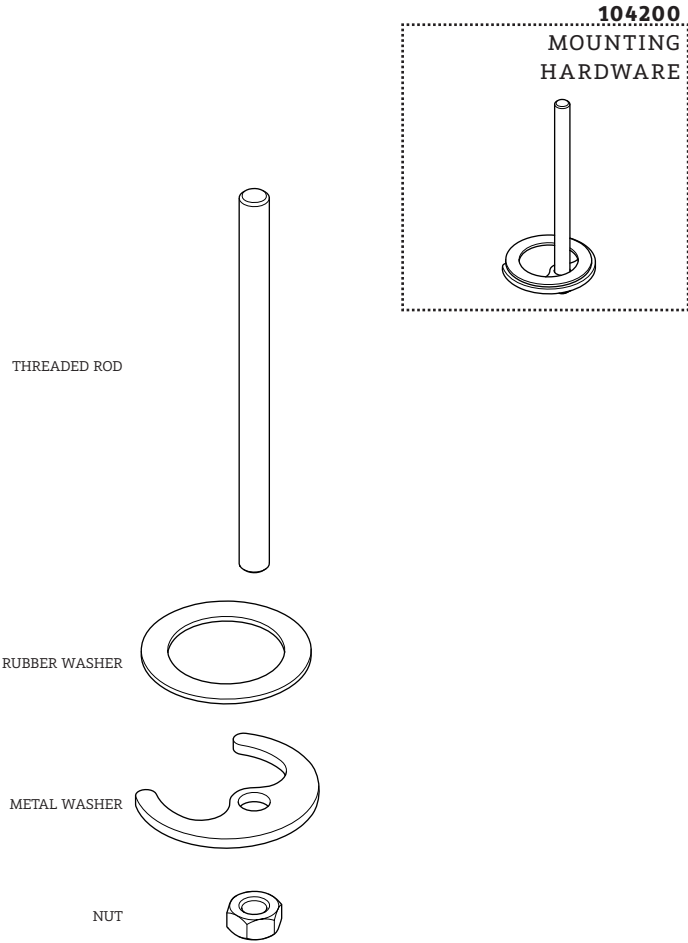


- O-RING
- O-RING
- POST
- O-RING
- COUPLER
- RETAINING COLLAR
- O-RING
- O-RING

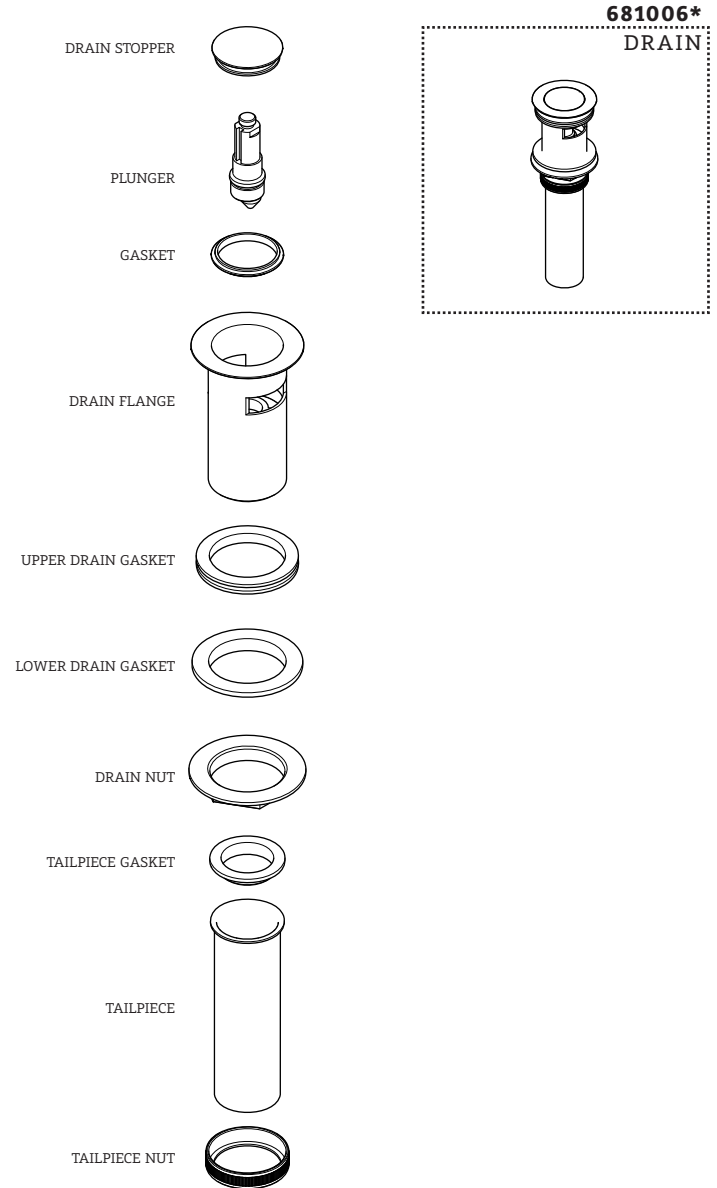


**256762**  
AERATOR

**KIT COMPONENTS**



**KIT COMPONENTS**



**SERVICE PARTS INDEX**

<u>STYLE</u>	<u>DESCRIPTION</u>	<u>PG</u>
256762	AERATOR	3
057322	CARTRIDGE	2
681006*	DRAIN	5
103624	FASTENING SET SCREW	3
754071++	HOSE	2
104200	MOUNTING HARDWARE	4
062012*	SPOUT	3

**NOTES**

**NOTES**

**NOTES**



WATERWORKS  
STUDIO

**PRODUCT SUPPORT**  
60 BACKUS AVENUE  
DANBURY, CT 06810  
1 (800) 927-2120 (EXT 2)  
[WWW.WATERWORKS.COM/STUDIO](http://WWW.WATERWORKS.COM/STUDIO)