

Dorland

DRHW03

Dorland 1 3/4" Smooth Pull



SHOWN IN DORLAND 1 3/4" SMOOTH PULL | DRHW03

TECHNICAL DETAILS

Height: 44 mm
Length: 64 mm

INSPIRATION

Rough meets refined in Dorland's solid brass pulls and matching backplates, available in smooth polished or expressive hand-hammered finishes.

CODES & STANDARDS

PRODUCT FEATURES

Solid Brass

Machined and hand-polished

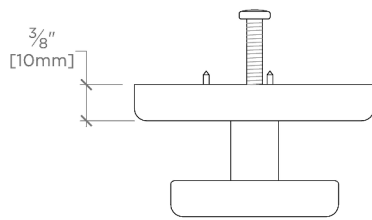
Made in Portugal

Includes 1 x M4 Pan Head Slot 1" Machine Screw and 1 x M4 Pan Head Slot 1 1/2" Machine Screw

CERTIFICATIONS

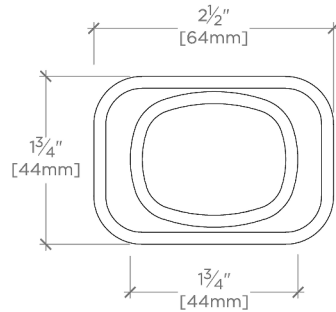
PRODUCT (NOTES)

Dorland 1 3/4" Smooth Pull



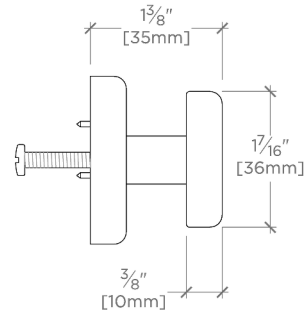
TOP VIEW

SCALE: 6"=1'-0"



FRONT VIEW

SCALE: 6"=1'-0"



SIDE VIEW

SCALE: 6"=1'-0"