

EASTON

EATF03

Easton Classic Low Profile Concealed Tub Filler With Handshower and White Porcelain Lever Handles



SHOWN IN EASTON CLASSIC LOW PROFILE CONCEALED TUB FILLER WITH HANDSHOWER AND WHITE PORCELAIN LEVER HANDLES | EATF03

TECHNICAL DETAILS

ADA Compliance: No
 Adjustable Versus Fixed Spray: Fixed Spray
 Deck Thickness Maximum: 1 1/2"
 Deck Thickness Minimum: 0"
 Escutcheon Primary Material: Brass
 Fittings Hole Diameter: 1 3/8"
 Flow Restriction Options: 2.5, 2.0, 1.75, 1.5, 0.92
 Handle Spread Maximum: 12"
 Handle Spread Minimum: 10"
 Handle Turn Angle: Quarter Turn
 Handshower Spray Hose Length: 79"
 Index Color Finish And Material: White Porcelain
 Index Marking: H/C
 Inlet Connection Size: 3/4"
 Inlet Connection Type: Male NPT Adapter
 Inlet Supply Spread Maximum: 12"
 Inlet Supply Spread Minimum: 10"
 Installation Type: Deck Mounted
 Integrated Diverter: N
 Number Of Handles: Two
 Number Of Holes: Four Hole
 Pivot: N
 Primary Material: Brass
 Spout Swivel: N
 Suggested Application: Bath
 Water Pressure Maximum: 85.0 psi
 Water Pressure Minimum: 20.0 psi
 Water Pressure Recommended: 45.0 psi

INSPIRATION

Rooted in classical Edwardian design, Easton is our most expansive collection—offering a comprehensive family of pieces that bring polished detail and timeless tradition to any setting. Revered for its exquisite proportions and impeccable scale, Easton is a trusted choice among designers.

CODES & STANDARDS

ASME A112.18.1/CSA B125.1, Waterworks Handshowers use check valves compliant to ASME A112.18.3 for backflow protection. CEC, State of MA

PRODUCT FEATURES

Brass metal is used for all trim and valve components.

The manufacturing process encompasses casting, turning, forging, hand-fitting and hand polishing.

Easton is our most comprehensive fittings family.

Easton has a clean-lined utilitarian profile, with a slightly elongated spout.

Stocked in 2.5gpm (9.5 L/min) and 1.75gpm (6.6 L/min). State of California requires 1.75gpm (6.6 L/min) to comply with their water conservation requirements. Other flow options are available to order, contact your sales associate or call 1 (800) 899-6757 for details.

CERTIFICATIONS



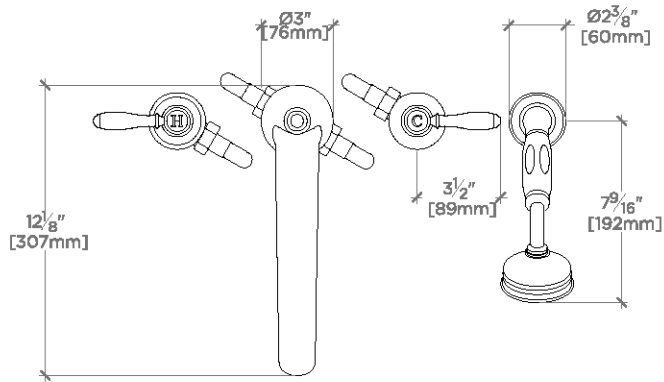
PRODUCT (NOTES)

WATERWORKS

EASTON

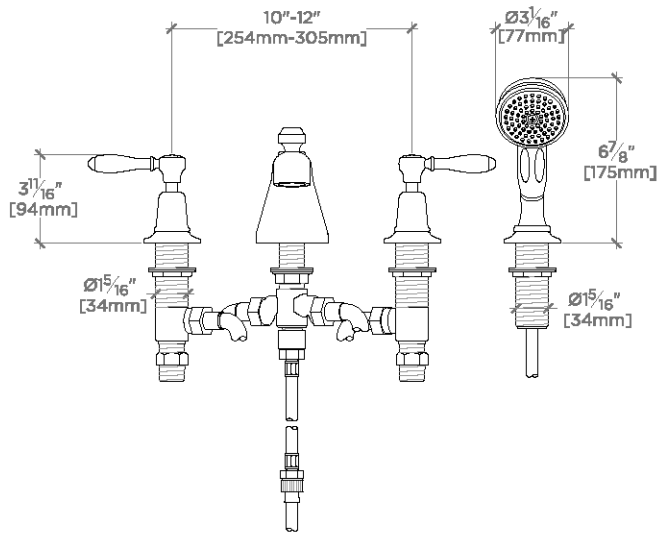
EATF03

Easton Classic Low Profile Concealed Tub Filler With Handshower and White Porcelain Lever Handles



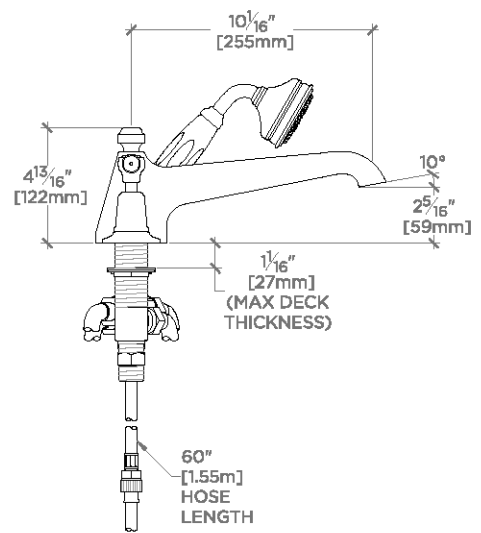
TOP VIEW

SCALE: 1 1/2"=1'-0"



FRONT VIEW

SCALE: 1 1/2"=1'-0"



SIDE VIEW

SCALE: 1 1/2"=1'-0"