

## Finot

NLS260

Finot High Profile Lavatory Faucet with Slope Lever Handles



SHOWN IN FINOT HIGH PROFILE LAVATORY FAUCET WITH SLOPE LEVER HANDLES | NLS260

### TECHNICAL DETAILS

ADA Compliance: Yes  
 Deck Thickness Maximum: 44 mm  
 Deck Thickness Minimum: 6 mm  
 Drain Depth Maximum: 51 mm  
 Drain Depth Minimum: 10 mm  
 Drain Hole Diameter: 38 mm  
 Drain Style: Push Touch  
 Fittings Hole Diameter: 35 mm  
 Handle Spread Maximum: 305 mm  
 Handle Spread Minimum: 203 mm  
 Handle Turn Angle: Quarter Turn  
 Inlet Connection Size: 1/2"  
 Inlet Connection Type: Male with Supply Nut  
 Number Of Holes: Three Hole  
 Primary Material: Brass  
 Spout Swivel: N  
 Valve Material: Ceramic  
 Water Pressure Maximum: 6.0 bar  
 Water Pressure Minimum: 1.5 bar  
 Water Pressure Recommended: 3.0 bar

### INSPIRATION

Finot seamlessly blends meticulous details with contemporary sensibility. A true integration of design and engineering expertise, this collection is comprised of parts that are decisively cast and forged to achieve painstaking precision and refinement.

### CODES & STANDARDS

NLS260X, NSF/ANSI/CAN 61:Q < 1, NSF/ANSI/CAN 372, ASME A112.18.1/CSA B125.1, WaterSense(1.0GPM and 1.2GPM Only), CEC, DOE

### PRODUCT FEATURES

Slope Lever Handles

Includes Universal Push-Touch Drain (UNLD23) which fits 1-1/2" through 1-3/4" drain hole openings

Available in 1.2gpm (4.5L/min) flow rate

Stocked In Chrome, Nickel, Brass and Dark Nickel

### CERTIFICATIONS



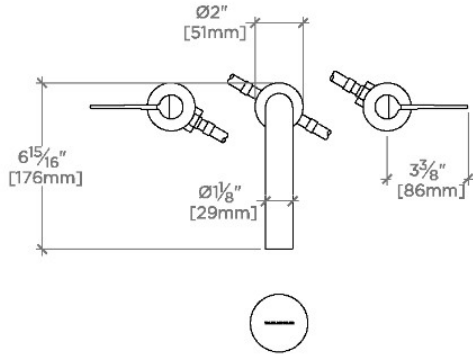
### PRODUCT (NOTES)

# WATERWORKS

## Finot

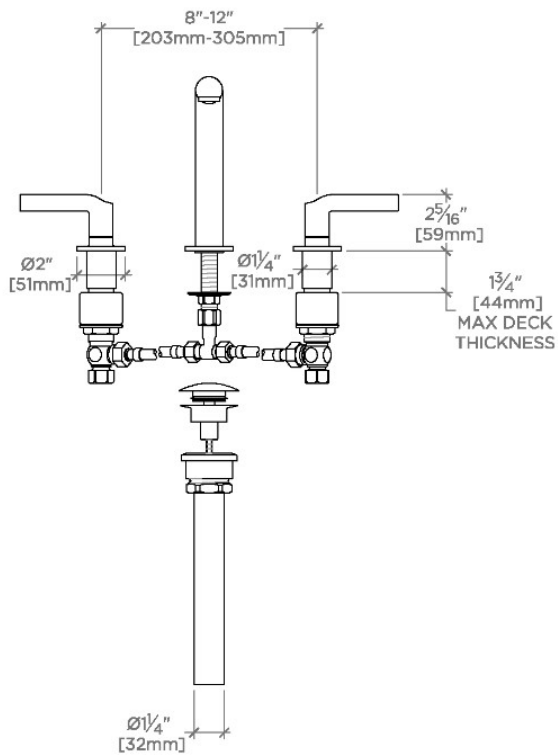
## NLS260

Finot High Profile Lavatory Faucet with Slope Lever Handles



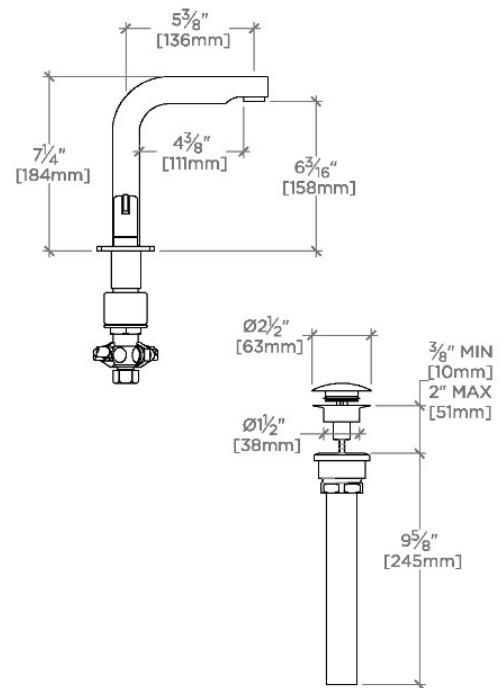
TOP VIEW

SCALE:  $1\frac{1}{2}$ "=1'-0"



FRONT VIEW

SCALE:  $1\frac{1}{2}$ "=1'-0"



SIDE VIEW

SCALE:  $1\frac{1}{2}$ "=1'-0"