

HENRY

HKM111

Henry One Hole Gooseneck Kitchen Faucet, Metal Lever Handle



SHOWN IN HENRY ONE HOLE GOOSENECK KITCHEN FAUCET, METAL LEVER HANDLE | HKM111

TECHNICAL DETAILS

ADA Compliance: Yes
Deck Thickness Maximum: 3 1/8"
Fittings Hole Diameter: 1 3/8"
Handle Turn Angle: Quarter Turn
Inlet Connection Size: 3/8"
Inlet Connection Type: Compression Connection Hoses
Restricted Maximum Flow Rate: 1.75 gpm
Spout Swivel: Y
Valve Material: Brass and Ceramic
Water Pressure Maximum: 85.0 psi
Water Pressure Minimum: 20.0 psi
Water Pressure Recommended: 45.0 psi

INSPIRATION

Celebrating the connection of industry and art, Henry transitions effortlessly between modern, traditional, and classic settings. These iconic fittings blend 19th-century industrial and artistic references for a look that's forever of the moment—familiar yet wholly original.

CODES & STANDARDS

HKM111X, NSF/ANSI/CAN 61:Q < 1, NSF/ANSI/CAN 372, ASME A112.18.1/CSA B125.1

PRODUCT FEATURES

Features Lever Handle

Stocked In Chrome, Nickel, Brass and Dark Nickel

Available in 1.75 gpm (6.6 L/min) flow rate

CERTIFICATIONS



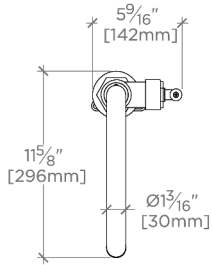
PRODUCT (NOTES)

WATERWORKS

HENRY

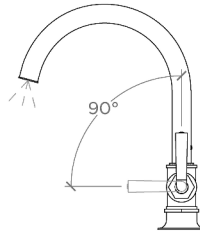
HKM111

Henry One Hole Gooseneck Kitchen Faucet, Metal Lever Handle

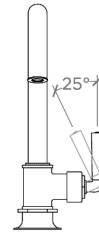


TOP VIEW

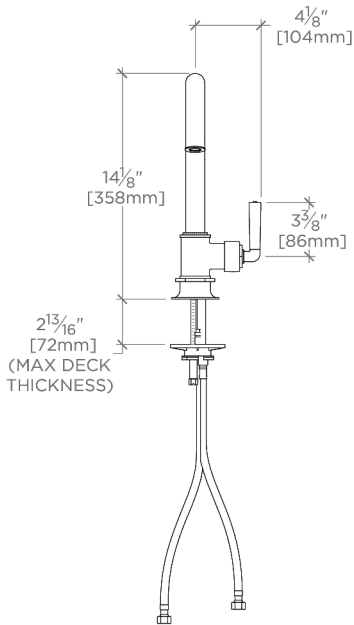
SCALE: 1"=1'-0"



HANDLE OPERATION

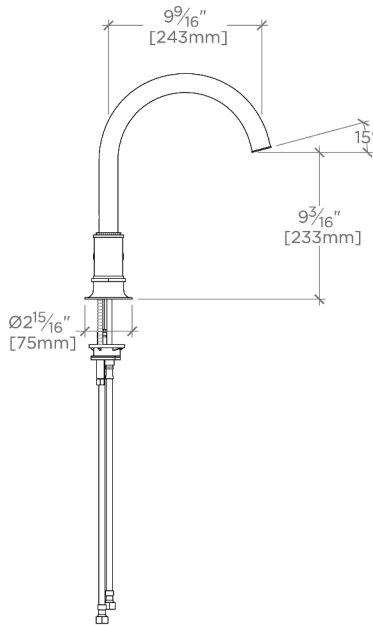


SCALE: 1"=1'-0"



FRONT VIEW

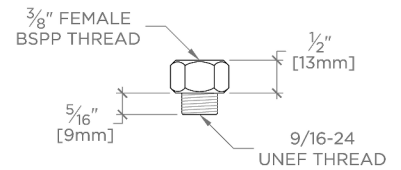
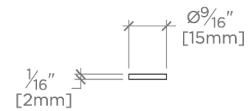
SCALE: 1"=1'-0"



SIDE VIEW

SCALE: 1"=1'-0"

NOTE:
ADAPTER AND GASKET (x2) INCLUDED -
INTERNATIONAL USE ONLY



ADAPTER

NOT TO SCALE