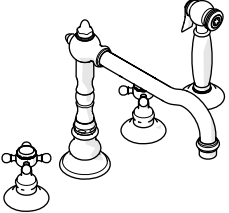
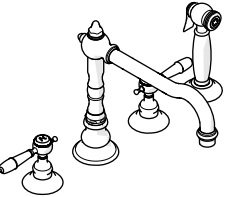
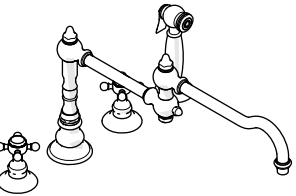
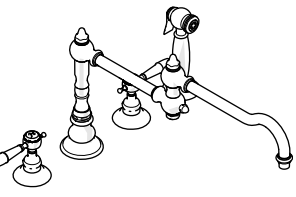


WATERWORKS

INSTALLATION GUIDELINES

STYLE No. JUKM18, JUKM19, JUKM48, JUKM49

Julia Three Hole Kitchen Faucet and Spray

	STYLE	DESCRIPTION
	JUKM18	Julia Three Hole High Profile Kitchen Faucet, Metal Cross Handles and Spray
	JUKM19	Julia Three Hole High Profile Kitchen Faucet, Metal Lever Handles and Spray
	JUKM48	Julia Three Hole Articulated Kitchen Faucet, Metal Cross Handles and Spray
	JUKM49	Julia Three Hole Articulated Kitchen Faucet, Metal Lever Handles and Spray

IMPORTANT:

- To ensure this product is installed properly, you must read and follow these guidelines.
- The owner/user of this product must keep this information for future reference.
- This product must be installed by a professional licensed contractor.
- Be sure your installation conforms to all federal, state, and local codes. In the State of Massachusetts, all installations must comply with the rules and regulations set forth within 248 CMR.
- Inspect this product to ensure you have all the parts required for proper installation.
- Use only a strap wrench or protected/smooth-jaw wrench on any finished surface.
- The use of certain plumber's putty may stain stone or tile surfaces.
- If further assistance is required, please contact Product Support at 1-800-927-2120 Monday through Friday, 8am - 6pm EST.
- Refer to the separate Service Parts Documents for available replacement parts.

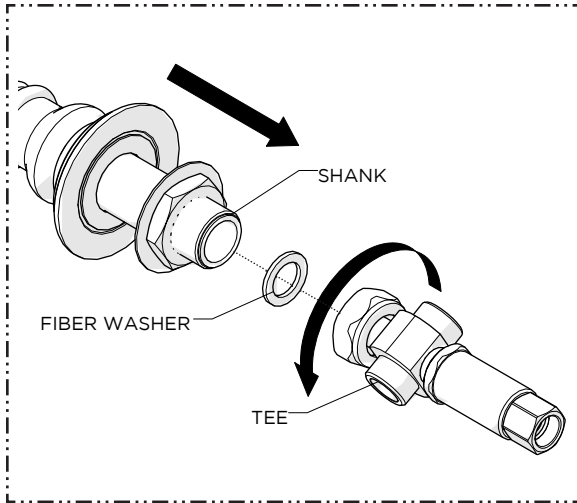
TECHNICAL DETAILS:

DETAIL	SPECIFICATION
DECK THICKNESS	1-1/2" [38mm] MAX
FITTINGS HOLE DIAMETER	1-1/4" [32mm]
HANDLE SPREAD	8" [203mm] MIN 12" [305mm] MAX
HANDLE TURN ANGLE	QUARTER TURN
INLET CONNECTION	1/2" MALE WITH SUPPLY NUT
SPOUT REACH [JUKM18, JUKM19]	9 7/16" [240mm]
SPOUT REACH [JUKM48, JUKM49]	18-3/8" [466mm]
SPRAY HOSE LENGTH	59" [1.5m]
SPRAY INCLUDED IN UNIT	YES
WATER PRESSURE RANGE	20psi [1.5 bar] MIN 85psi [6.0 bar] MAX
WATER PRESSURE RECOMMENDED	45psi [3.0 bar]

WATERWORKS INSTALLATION GUIDELINES

STYLE No. JUKM18, JUKM19, JUKM48, JUKM49

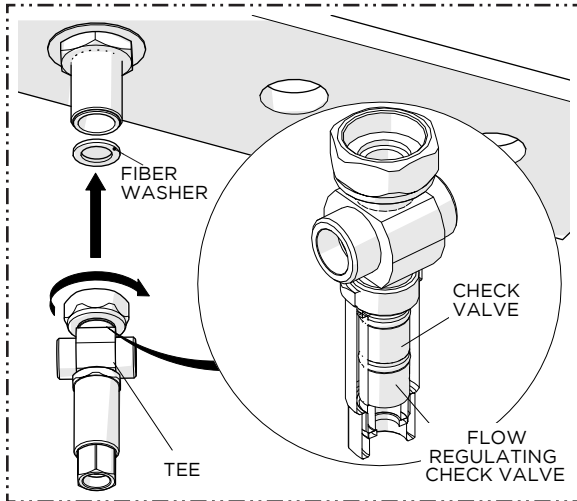
Julia Three Hole Kitchen Faucet and Spray



SPOUT INSTALLATION:

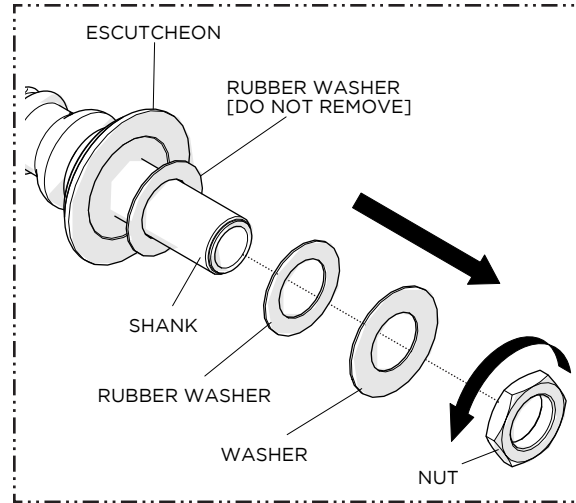
1. Unthread and remove the TEE assembly from the SPOUT SHANK.

NOTE: Do NOT discard the FIBER WASHER inside the TEE.



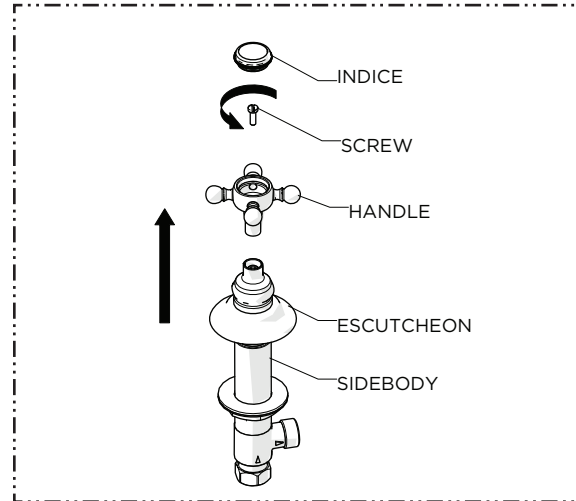
4. Using the FIBER WASHER provided, thread and securely tighten the TEE assembly back onto the SPOUT SHANK.

NOTE: The HOUSING at the base of the TEE contains 2 CHECK VALVES. One CHECK VALVES is flow regulated.



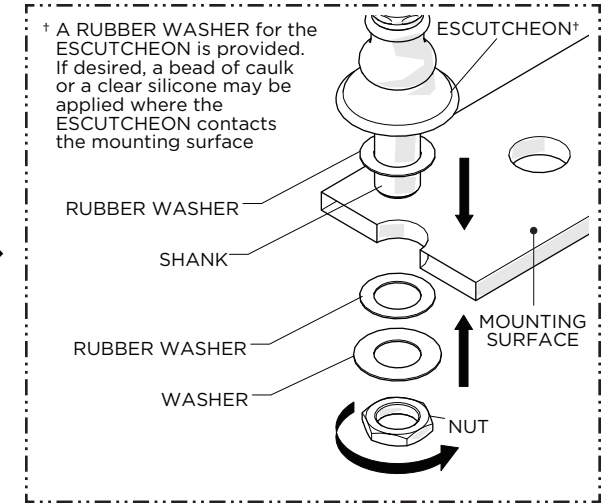
2. Unthread and remove the NUT and lower deck WASHERS from the SPOUT SHANK.

NOTE: Do NOT remove the RUBBER WASHER beneath the ESCUTCHEON.



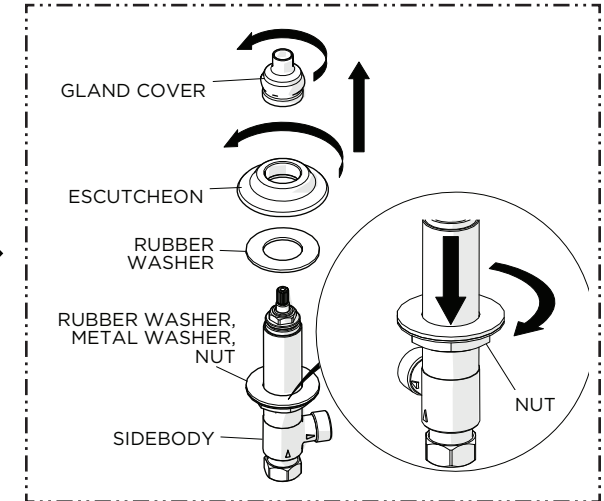
HANDLE INSTALLATION:

5. Pull the INDICE assembly from the HANDLE then unthread the SCREW and remove the HANDLE.



† A RUBBER WASHER for the ESCUTCHEON is provided. If desired, a bead of caulk or a clear silicone may be applied where the ESCUTCHEON contacts the mounting surface

3. Insert the SPOUT SHANK through the hole on the mounting surface making sure the RUBBER WASHER provided is beneath the ESCUTCHEON then re-install the lower deck WASHERS and securely tighten the NUT.



6. Unthread and remove the GLAND COVER, ESCUTCHEON and RUBBER WASHER from the SIDE BODY then fully thread the NUT down the SIDEBODY.

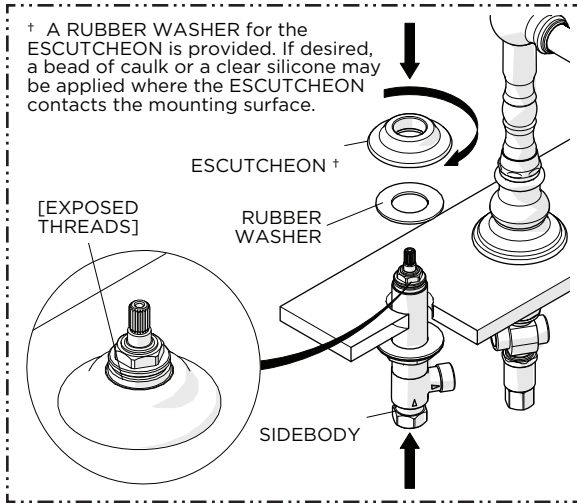
NOTE: Do NOT remove the lower deck WASHERS.

WATERWORKS

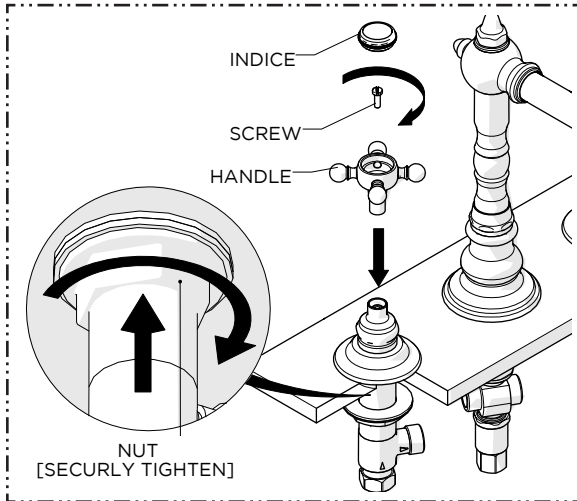
INSTALLATION GUIDELINES

STYLE No. JUKM18, JUKM19, JUKM48, JUKM49

Julia Three Hole Kitchen Faucet and Spray



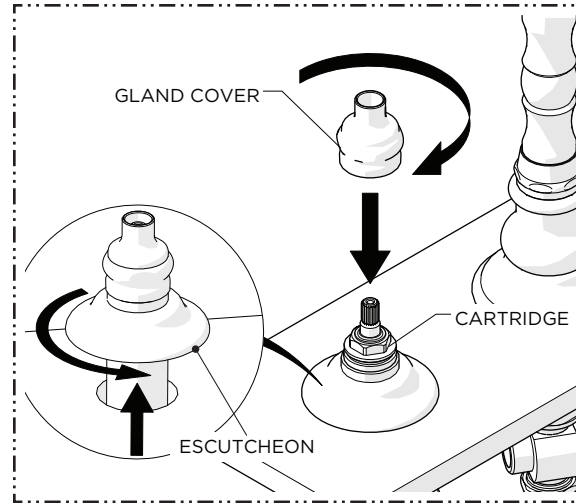
7. Insert the SIDEBODY into the mounting hole from below then, using the RUBBER WASHER provided, thread the ESCUTCHEON onto the SIDEBODY until there are **exposed threads** above the ESCUTCHEON then let it rest on the mounting surface.



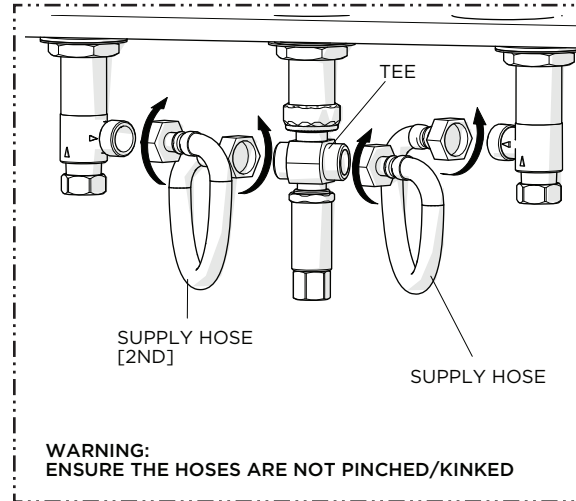
10. Place the HANDLE onto the CARTRIDGE then thread and securely tighten the SCREW. Ensure the HANDLE is properly aligned then securely tighten the NUT and insert the INDICE back into the HANDLE.

➤ REPEAT STEPS 5 - 10 TO INSTALL THE SECOND (2ND) HANDLE.

PRODUCT SUPPORT | 800.927.2120 | WATERWORKS.COM

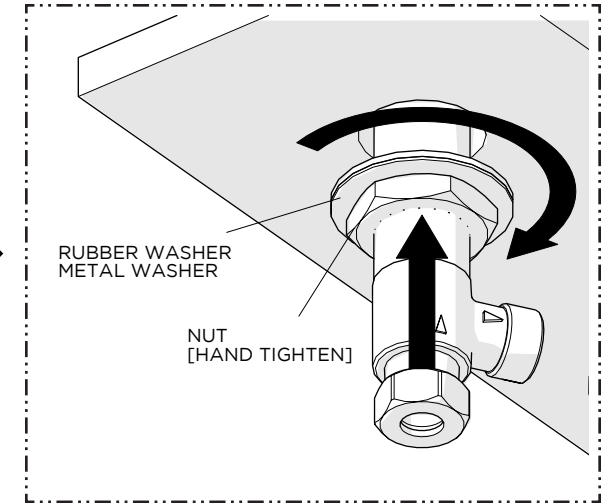


8. Thread the GLAND COVER onto the CARTRIDGE until it stops then unthread the ESCUTCHEON until it contacts the GLAND COVER.



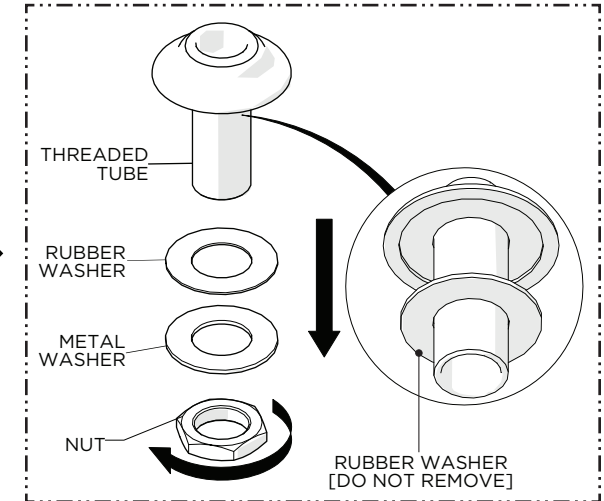
WARNING:
ENSURE THE HOSES ARE NOT PINCHED/KINKED

11. Connect the SIDEBODIES to the TEE using the SUPPLY HOSES provided. Securely tighten the HOSES and ensure they are not pinched/kinked.



9. Hand-tighten the NUT against the underside of the mounting surface.

NOTE: Do **NOT** over-tighten the NUT to allow for proper handle alignment during the HANDLE installation.



SPRAY INSTALLATION:

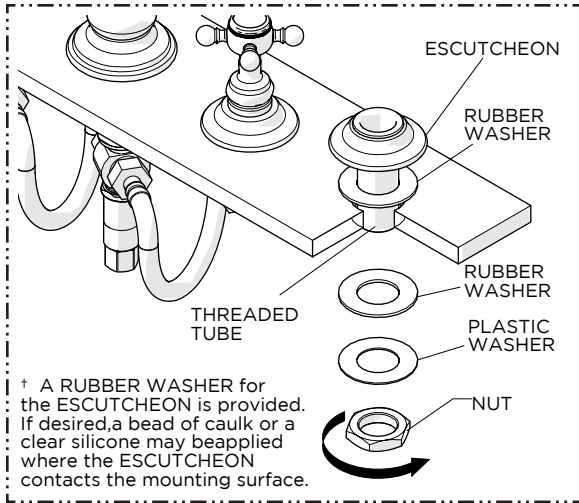
12. Unthread and remove the NUT and lower deck WASHERS from the THREADED TUBE.

NOTE: Do **NOT** remove the RUBBER WASHER beneath ESCUTCHEON.

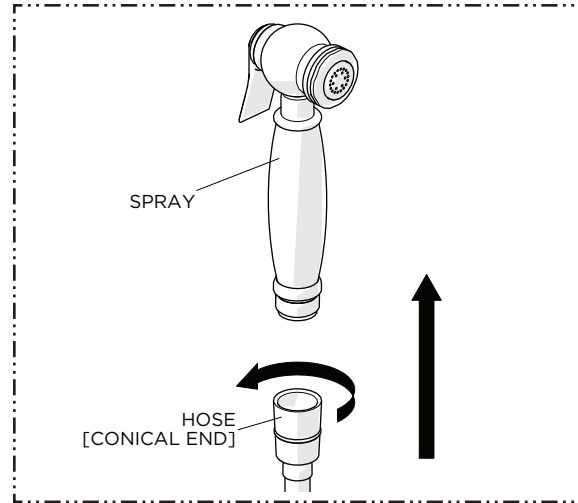
WATERWORKS INSTALLATION GUIDELINES

STYLE No. JUKM18, JUKM19, JUKM48, JUKM49

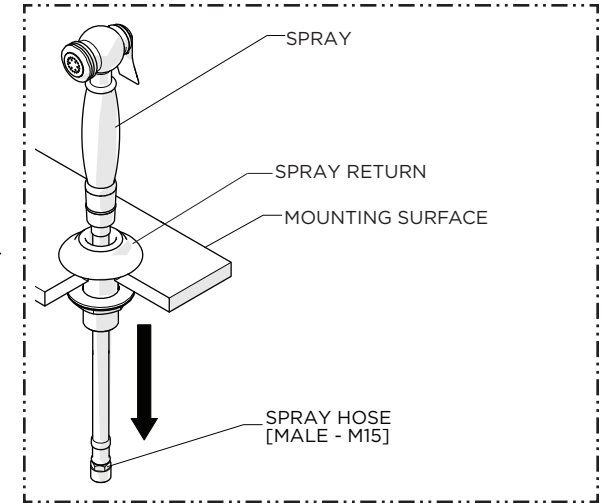
Julia Three Hole Kitchen Faucet and Spray



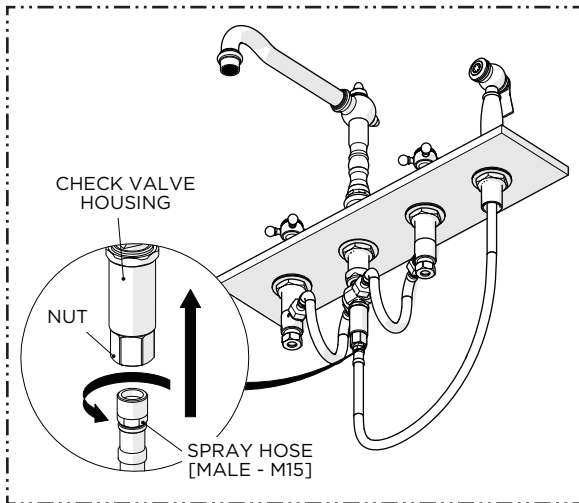
13. Insert the THREADED TUBE through the hole on the mounting surface making sure the RUBBER WASHER provided is beneath the ESCUTCHEON then re-install the lower deck WASHERS and securely tighten the NUT.



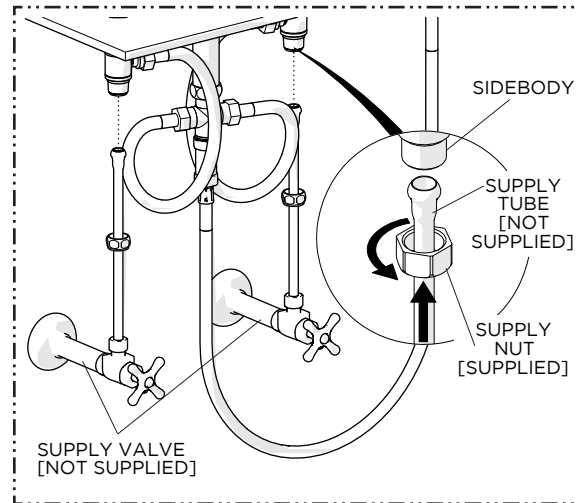
14. Thread and securely tighten the HOSE [Conical End] onto the SPRAY.



15. From above, insert the SPRAY HOSE into the SPRAY RETURN making sure the HOSE seats properly.

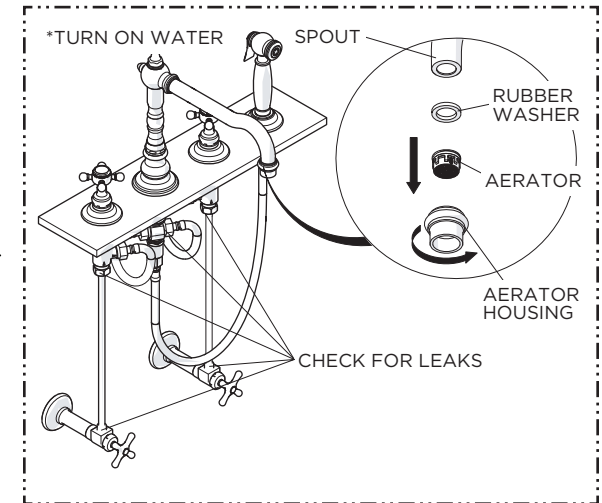


16. Thread and securely tighten the SPRAY HOSE into the NUT at the base of the CHECK VALVE HOUSING.



17. Make final SUPPLY VALVE (SOLD SEPARATELY) connections.

NOTE: Make sure the SPRAY HOSE is **NOT** obstructed and can move freely.



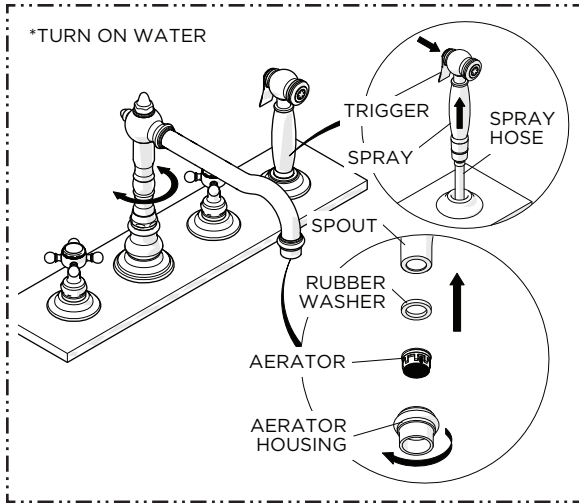
18. Remove the AERATOR then turn on the water supply to flush out any debris in the supply lines and inspect all connections for leaks.

CAUTION: Make sure to flush out the supply lines prior to operating the SPRAY.

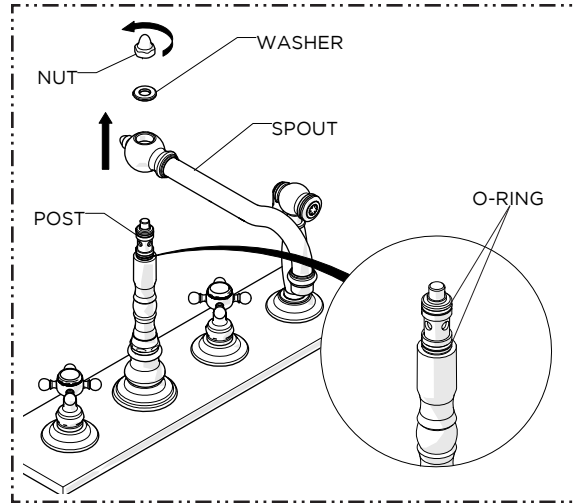
WATERWORKS INSTALLATION GUIDELINES

STYLE No. JUKM18, JUKM19, JUKM48, JUKM49

Julia Three Hole Kitchen Faucet and Spray

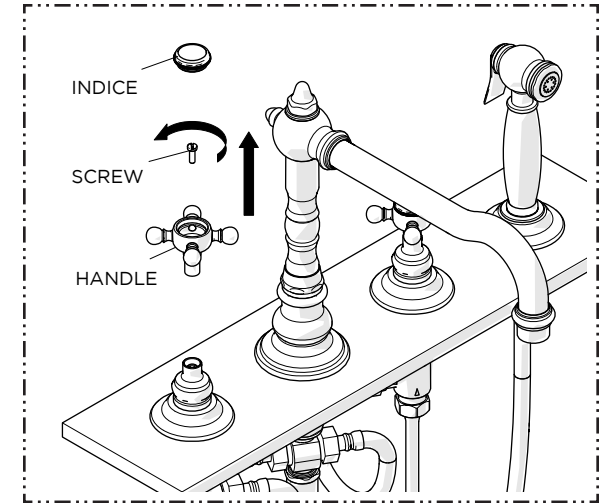


19. Re-install the AERATOR then turn on the water and operate the SPOUT and SPRAY to ensure they operate and function properly.



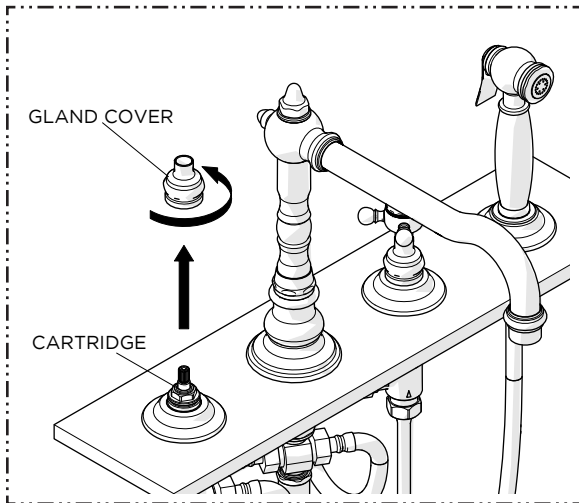
SERVICING THE SPOUT

1. Remove the NUT and WASHER at top of the SPOUT then pull the SPOUT up to expose the POST and external O-RINGS.

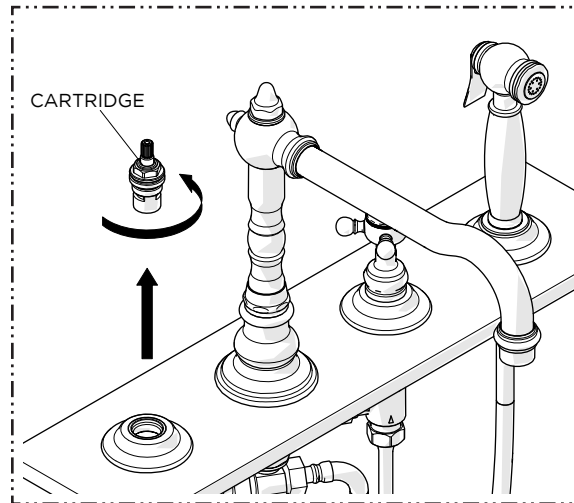


SERVICING THE CARTRIDGE

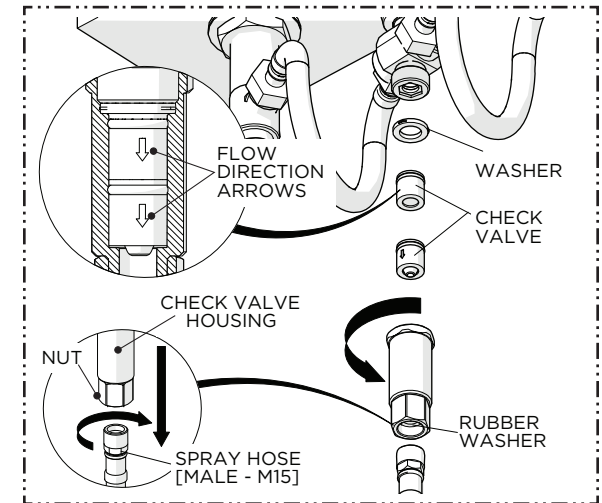
1. Pull the INDICE assembly from the HANDLE then unthread the SCREW and remove the HANDLE.



2. Unthread and remove the GLAND COVER to expose the CARTRIDGE.



3. Unthread and remove the CARTRIDGE using a 21/32" [17mm] shower valve socket wrench (not supplied).



SERVICING THE SPRAY

1. Remove the SPRAY HOSE from the CHECK VALVE HOUSING then remove the HOUSING from the TEE. Remove the CHECK VALVES and replace with new CHECK VALVES making sure to follow the FLOW DIRECTION ARROWS.