

## FORO

FRLS30

Foro Gooseneck Three Hole Deck Mounted Lavatory Faucet with Metal Lever Handles



### TECHNICAL DETAILS

Deck Thickness Maximum: 43 mm  
Deck Thickness Minimum: 8 mm  
Drain Hole Diameter: 44 mm  
Drain Style: Lift and Turn  
Fittings Hole Diameter: 35 mm  
Handle Spread Maximum: 305 mm  
Handle Spread Minimum: 203 mm  
Handle Turn Angle: Quarter Turn  
Depth / Width: 198 mm  
Height: 249 mm  
Inlet Connection Size: 1/2"  
Inlet Connection Type: Male with Supply Nut  
Restricted Maximum Flow Rate: 4.5 liters/min  
Valve Material: Ceramic  
Water Pressure Maximum: 6.0 bar  
Water Pressure Minimum: 1.5 bar  
Water Pressure Recommended: 3.0 bar

### INSPIRATION

A mix of historical references, including finely etched vintage silver, come together in this twist on classical design - a wonderfully elegant formal statement.

### PRODUCT FEATURES

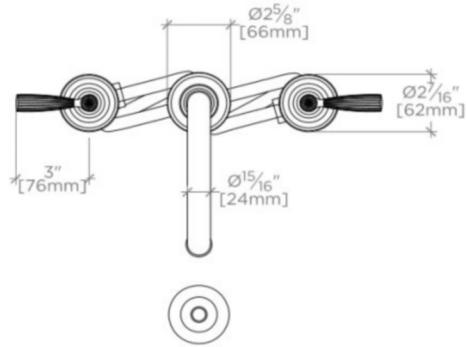
Metal lever handles  
Includes European Size Lift-and-Turn Drain  
Features signature engraving detail  
Stocked in Nickel and Unlacquered Brass  
Available in 1.2gpm (4.5L/min) flow rate

# WATERWORKS

## FORO

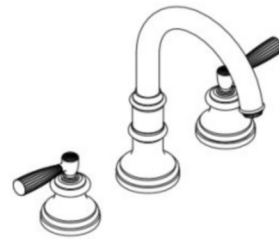
## FRLS30

Foro Gooseneck Three Hole Deck Mounted Lavatory Faucet with Metal Lever Handles



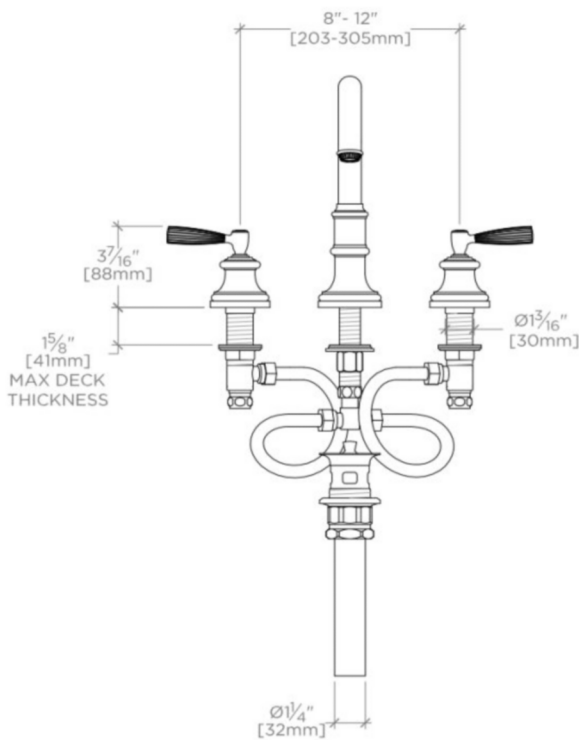
TOP VIEW

SCALE: 1/2"=1'-0"



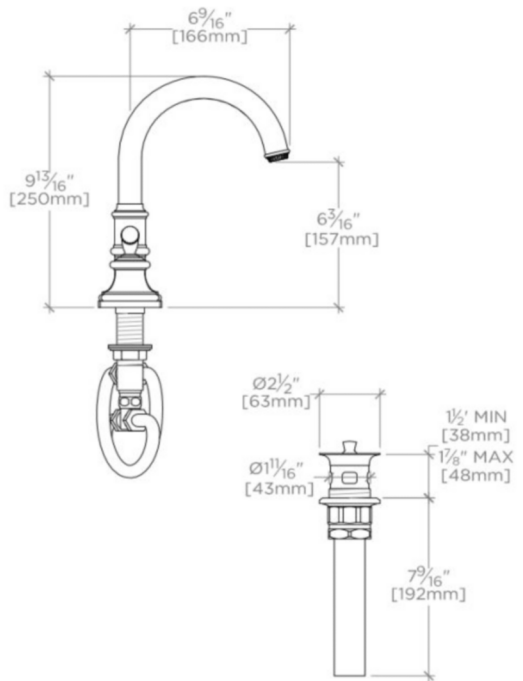
ISO VIEW

SCALE: 1/2"=1'-0"



FRONT VIEW

SCALE: 1/2"=1'-0"



SIDE VIEW

SCALE: 1/2"=1'-0"