

## HENRY

## HKM211

Henry Gooseneck Kitchen Faucet with Lever Handle and Spray



SHOWN IN HENRY GOOSENECK KITCHEN FAUCET WITH LEVER HANDLE AND SPRAY | HKM211

### TECHNICAL DETAILS

ADA Compliance: Yes  
 Deck Thickness Maximum: 3 1/8"  
 Fittings Hole Diameter: 1 3/8"  
 Handle Turn Angle: Quarter Turn  
 Handshower Spray Hose Length: 59"  
 Inlet Connection Size: 3/8"  
 Inlet Connection Type: Compression Connection Hoses  
 Restricted Maximum Flow Rate: 1.75 gpm  
 Spout Swivel: Y  
 Spray Included In Unit: Y  
 Valve Material: Brass and Ceramic  
 Water Pressure Maximum: 85.0 psi  
 Water Pressure Minimum: 20.0 psi  
 Water Pressure Recommended: 45.0 psi

### INSPIRATION

Celebrating the connection of industry and art, Henry transitions effortlessly between modern, traditional, and classic settings. These iconic fittings blend 19th-century industrial and artistic references for a look that's forever of the moment—familiar yet wholly original.

### CODES & STANDARDS

HKM211X, NSF/ANSI/CAN 61:Q < 1, NSF/ANSI/CAN 372,  
 ASME A112.18.1/CSA B125.1

### PRODUCT FEATURES

Features Lever Handle

Stocked In Chrome, Nickel, Brass and Dark Nickel

Single function sidespray

### CERTIFICATIONS



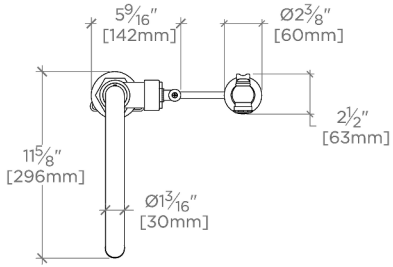
### PRODUCT (NOTES)

# WATERWORKS

## HENRY

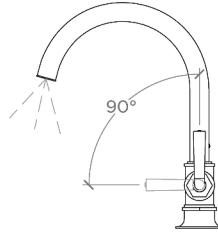
HKM211

Henry Gooseneck Kitchen Faucet with Lever Handle and Spray

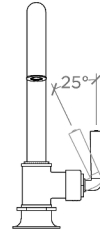


TOP VIEW

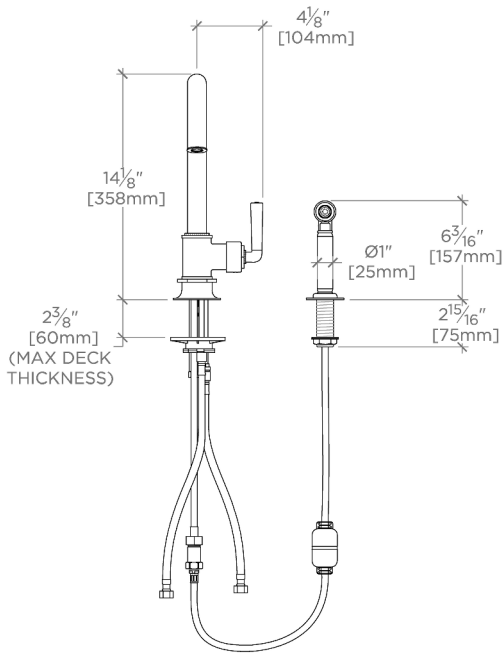
SCALE: 1"=1'-0"



HANDLE OPERATION

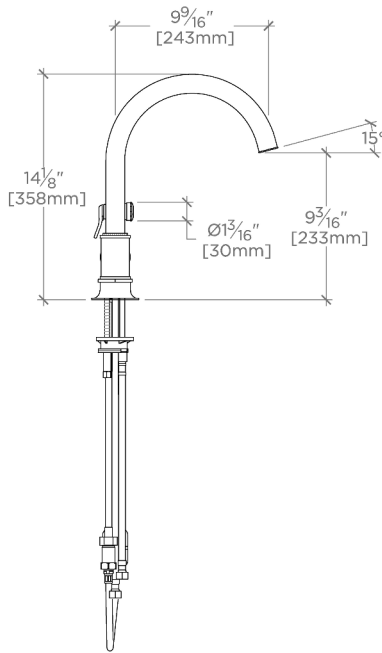


SCALE: 1"=1'-0"



FRONT VIEW

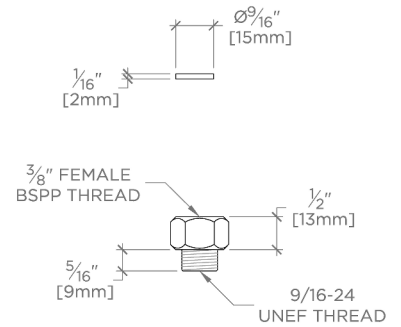
SCALE: 1"=1'-0"



SIDE VIEW

SCALE: 1"=1'-0"

NOTE:  
ADAPTER AND GASKET (x2) INCLUDED -  
INTERNATIONAL USE ONLY



ADAPTER

NOT TO SCALE