

FINOT

NORHG1

Finot Single Sided Glass Mounted Hook



SHOWN IN FINOT SINGLE SIDED GLASS MOUNTED HOOK | NORHG1

TECHNICAL DETAILS

Escutcheon Primary Material: Brass
Installation Type: Wall Mounted
Primary Material: Brass
Suggested Application: Bath

INSPIRATION

Finot seamlessly blends meticulous details with contemporary sensibility. A true integration of design and engineering expertise, this collection is comprised of parts that are decisively cast and forged to achieve painstaking precision and refinement.

CODES & STANDARDS

PRODUCT FEATURES

All mounting hardware included

Solid Brass Construction

Can accommodate glass thickness between 1/4" [6mm] to 7/8" [22mm]

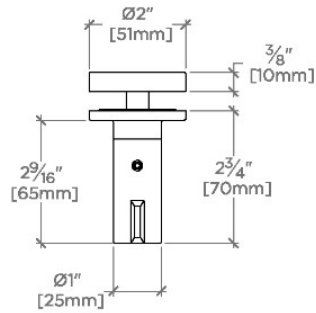
Stocked in Chrome, Nickel, Brass and Dark Nickel

CERTIFICATIONS

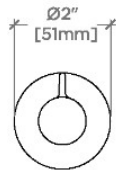
PRODUCT (NOTES)

Finot Single Sided Glass Mounted Hook

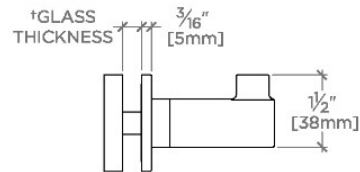
* THIS PRODUCT CAN BE INSTALLED ON GLASS THAT IS
1/4" [6mm], 3/8" [10mm], 1/2" [13mm], 3/4" [19mm] OR 7/8" [22mm].



TOP VIEW SCALE: 3"=1'-0"



FRONT VIEW SCALE: 3"=1'-0"



SIDE VIEW SCALE: 3"=1'-0"