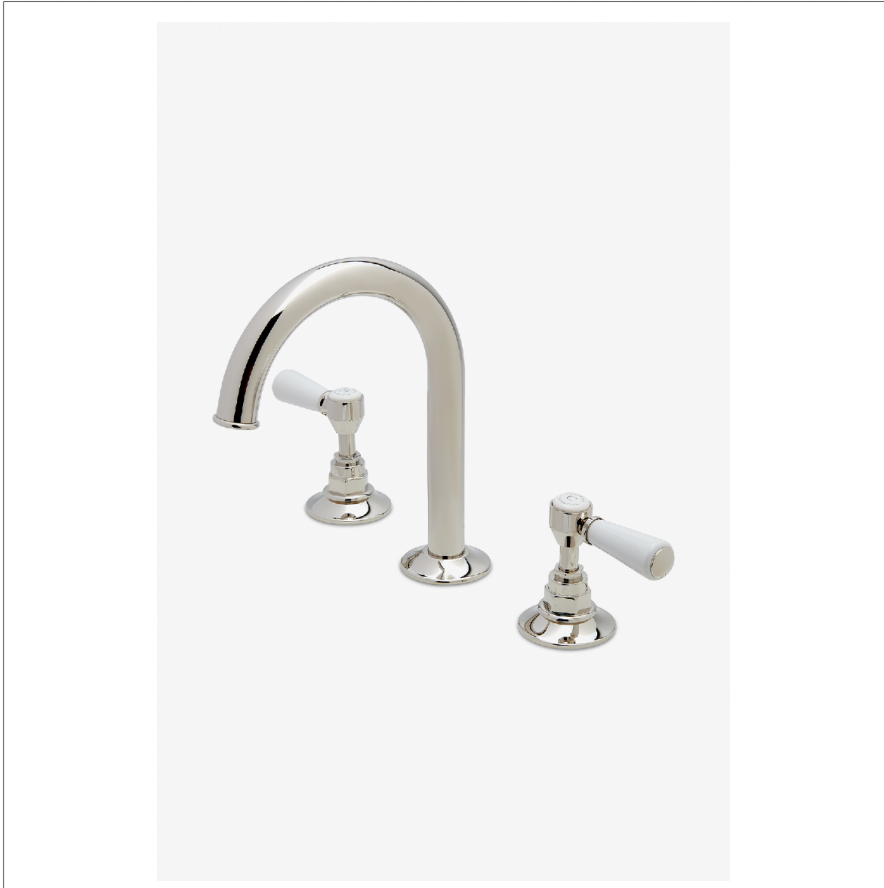


HIGHGATE

HGLS30

Highgate Gooseneck Lavatory Faucet with Porcelain Lever Handles



SHOWN IN HIGHGATE GOOSENECK LAVATORY FAUCET WITH PORCELAIN LEVER HANDLES | HGLS30

INSPIRATION

Our take on old English style: simple, functional shapes, detailed with white porcelain indices and hexagonal accents for a timeless feel.

PRODUCT FEATURES

Lever Handles

Includes Universal Lift and Turn Drain (UNLD30) which fits 1-1/2" through 1-3/4" drain hole openings

Stocked in Chrome, Nickel and Brass

Available in 1.2gpm (4.5L/min) flow rate

TECHNICAL DETAILS

ADA Compliance: Yes
 Deck Thickness Maximum: 1 9/16"
 Deck Thickness Minimum: 3/8"
 Drain Depth Maximum: 2"
 Drain Depth Minimum: 1 3/8"
 Drain Hole Diameter: 1 1/2"
 Drain Style: Lift & Turn
 Fittings Hole Diameter: 1 3/8"
 Flow Restriction Options: 1.2
 Handle Spread Maximum: 12"
 Handle Spread Minimum: 8"
 Handle Turn Angle: Quarter Turn
 Inlet Connection Size: 1/2"
 Inlet Connection Type: Male with Supply Nut
 Inlet Supply Spread Maximum: 12"
 Inlet Supply Spread Minimum: 8"
 Restricted Maximum Flow Rate: 1.2 gpm
 Valve Material: Ceramic
 Water Pressure Maximum: 85.0 psi
 Water Pressure Minimum: 20.0 psi
 Water Pressure Recommended: 45.0 psi

CODES & STANDARDS

HGLS30X, NSF/ANSI/CAN 61:Q < 1, NSF/ANSI/CAN 372, ASME A112.18.1/CSA B125.1, CEC, DOE, State of MA

CERTIFICATIONS



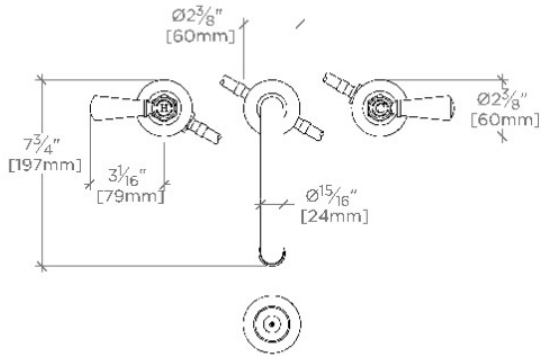
PRODUCT (NOTES)

WATERWORKS

HIGHGATE

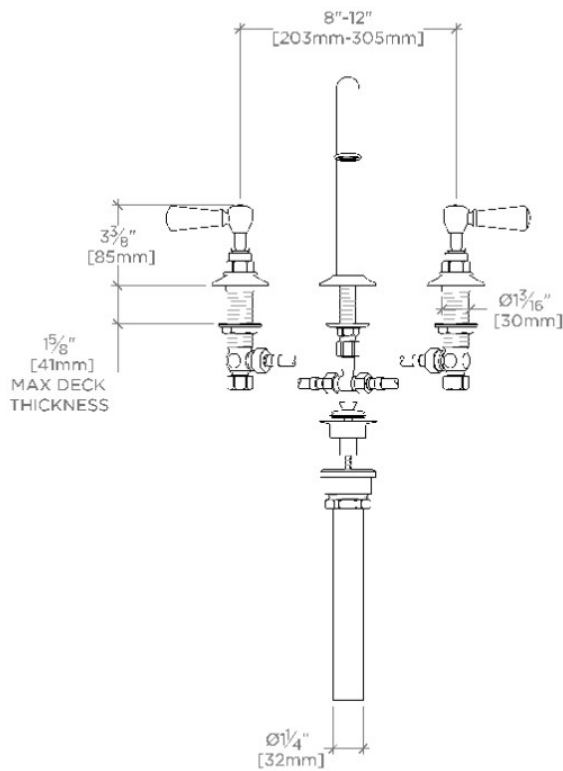
HGLS30

Highgate Gooseneck Lavatory Faucet with Porcelain Lever Handles



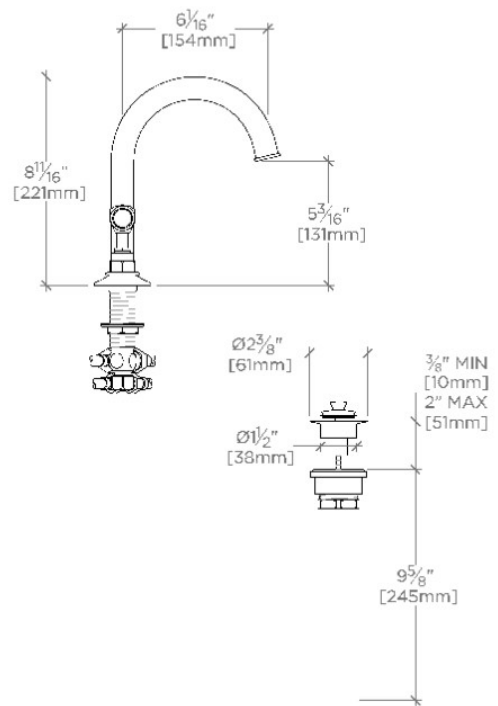
TOP VIEW

SCALE: 1/2"=1'-0"



FRONT VIEW

SCALE: 1/2"=1'-0"



SIDE VIEW

SCALE: 1/2"=1'-0"