

Bond

BTH12E

Bond Union Series Square Thermostatic Control Valve Trim
with Guilloche Pinstripe Lever Handle



SHOWN IN BOND UNION SERIES SQUARE THERMOSTATIC CONTROL VALVE TRIM WITH GUILLOCHE PINSTRIPE LEVER HANDLE | BTH12E

TECHNICAL DETAILS

ADA Compliance: Yes
Number Of Holes: One Hole
Primary Material: Brass

INSPIRATION

Bond draws inspiration from the Aesthetic Movement, rare vintage lighters, and modern industrial design. The result is a contemporary collection with a soulful quality that inhabits the full range of modern style, from austere minimalism to warm contemporary.

CODES & STANDARDS

ASME A112.18.1/CSA B125.1, State of MA

PRODUCT FEATURES

Lever Handle

Allows bather to adjust temperature of all waterway outlets with a hot limit safety stop providing anti-scald protection

Stocked in Nickel and Brass

Requires valve, sold separately: GUTH60 (1/2") or GUTH38 (3/4") (USA) or GU60TH, GU38TH (UK/International)

CERTIFICATIONS

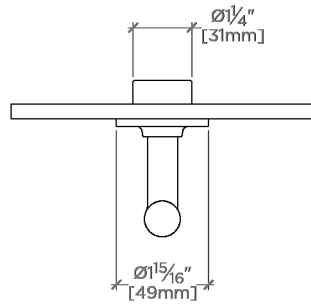


PRODUCT (NOTES)

Bond

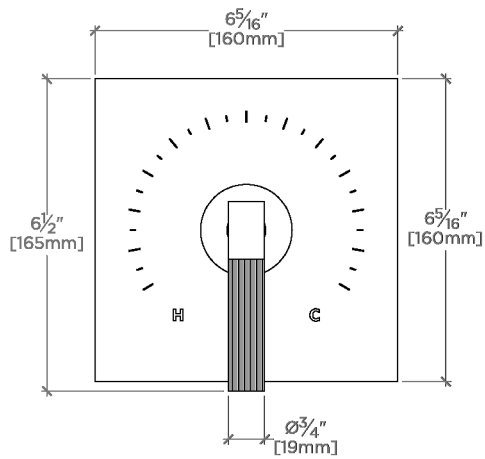
BTH12E

Bond Union Series Square Thermostatic Control Valve Trim
with Guilloche Pinstripe Lever Handle



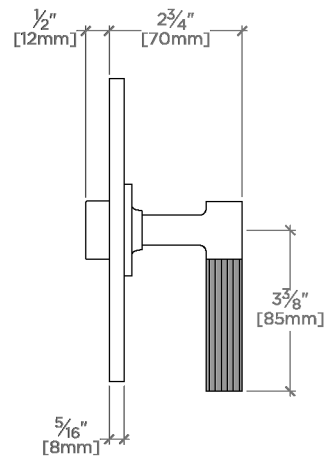
TOP VIEW

SCALE: 3"=1'-0"



FRONT VIEW

SCALE: 3"=1'-0"



SIDE VIEW

SCALE: 3"=1'-0"