

FLYTE

Flyte Gooseneck Lavatory Faucet with Cross Handles

FLLS20



TECHNICAL DETAILS

Deck Thickness Maximum: 41 mm
Deck Thickness Minimum: 6 mm
Drain Depth Maximum: 51 mm
Drain Hole Diameter: 38 mm
Drain Style: Push-Touch
Fittings Hole Diameter: 35 mm
Handle Spread Maximum: 305 mm
Handle Spread Minimum: 203 mm
Handle Turn Angle: Quarter Turn
Drain Depth Minimum: 10 mm
Inlet Connection Size: 1/2"
Inlet Connection Type: Male with Supply Nut
Inlet Supply Spread Maximum: 305 mm
Inlet Supply Spread Minimum: 203 mm
Restricted Maximum Flow Rate: 4.5 liters/min
Valve Material: Ceramic
Water Pressure Maximum: 6.0 bar
Water Pressure Minimum: 1.5 bar
Water Pressure Recommended: 3.0 bar

INSPIRATION

Pure Modernism. Like minimalist works of art, the elegant proportions of these light, fluid elements bring sculptural reference to a room.

PRODUCT FEATURES

Cross Handles

Includes universal size push touch drain

Stocked in Chrome, Nickel and Matte Black

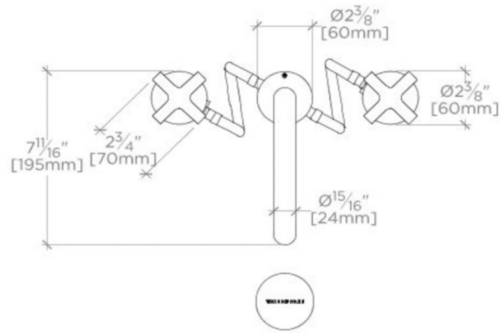
Available in 1.2gpm (4.5L/min) flow rate

WATERWORKS

FLYTE

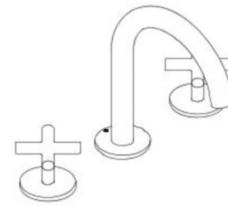
FLLS20

Flyte Gooseneck Lavatory Faucet with Cross Handles



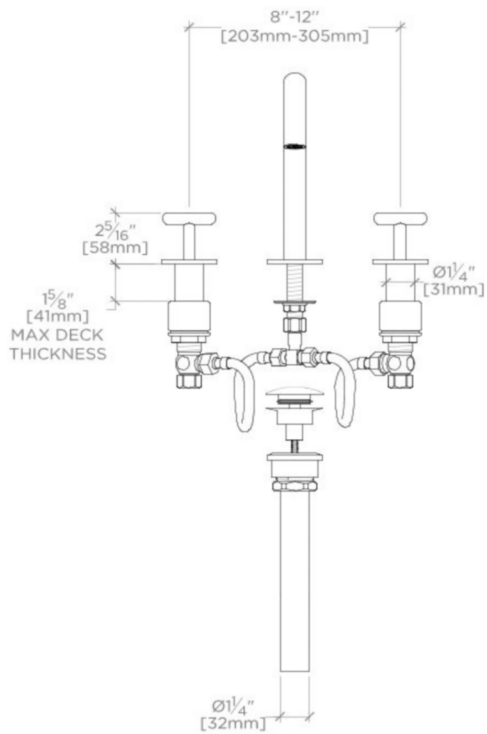
TOP VIEW

SCALE: 1/2"=1'-0"



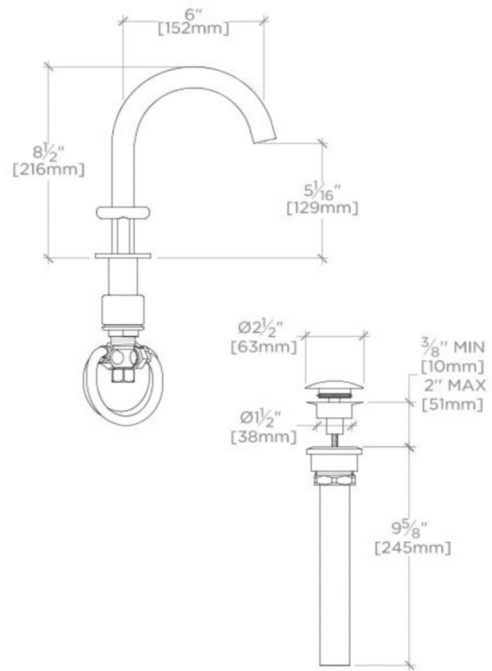
ISO VIEW

SCALE: 1/2"=1'-0"



FRONT VIEW

SCALE: 1/2"=1'-0"



SIDE VIEW

SCALE: 1/2"=1'-0"