

## FORMWORK

## FM60LS

Formwork Low Profile Three Hole Wall Mounted Lavatory Faucet with Metal Knob Handles



SHOWN IN FORMWORK LOW PROFILE THREE HOLE WALL MOUNTED LAVATORY FAUCET WITH METAL KNOB HANDLES]

### TECHNICAL DETAILS

ADA Compliance: Yes  
 Adjustable Shelves: N  
 Adjustable versus Fixed Spray: Fixed Spray  
 Control Valve Rough-in Depth Maximum: 146 mm  
 Control Valve Rough-in Depth Minimum: 73 mm  
 Drain Depth Maximum: 44 mm  
 Drain Hole Diameter: 44 mm  
 Drain Style: Push Touch  
 Escutcheon Primary Material: Brass  
 Fittings Hole Diameter: 35 mm  
 Flow Restriction Options: 1.75, 1.5  
 Handle Spread Maximum: 203 mm  
 Handle Spread Minimum: 203 mm  
 Handle Turn Angle: Quarter Turn  
 Depth / Width: 230 mm  
 Drain Depth Minimum: 38 mm  
 Height: 152 mm  
 Inlet Connection Size: 1/2"  
 Inlet Connection Type: Male G/BSPP  
 Inlet Supply Spread Maximum: 203 mm  
 Inlet Supply Spread Minimum: 203 mm  
 Installation Type: Wall Mounted  
 Integrated Diverter: N  
 Integrated Spray: N  
 Length: 264 mm  
 Number of Handles: Two  
 Number of Holes: Three Hole  
 Primary Material: Brass  
 Restricted Maximum Flow Rate: 8.3 liters/min  
 Spout Swivel: N  
 Spray Included in Unit: N  
 Suggested Application: Bath  
 Valve Material: Ceramic  
 Water Pressure Maximum: 5.5 bar  
 Water Pressure Minimum: 1.5 bar  
 Water Pressure Recommended: 3.0 bar

### INSPIRATION

Sculptural forms that defy the ordinary. Unexpected geometry and the transition of the planes create a subtle but warm expression.

### PRODUCT FEATURES

Knob Handles

Modern Push-Touch Euro style drain included.

Requires the Lavatory Wall Mounted Rough Valve for Cross or Knob Handles (GU27LV)

Standard flow rate is 2.2gpm (8.3 L/min) and State of California requires 1.2gpm(4.5 L/min). Also available in other flow options. Contact a sales associate for details.

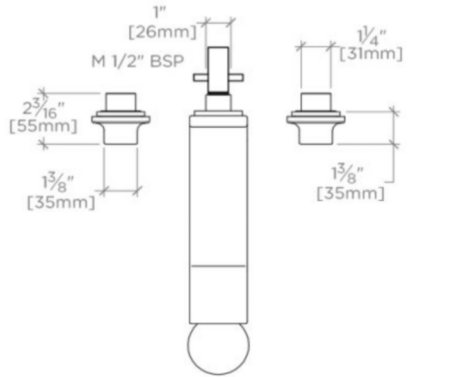
# WATERWORKS

## FORMWORK

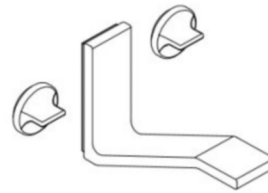
FM60LS

Formwork Low Profile Three Hole Wall Mounted Lavatory Faucet with Metal Knob Handles

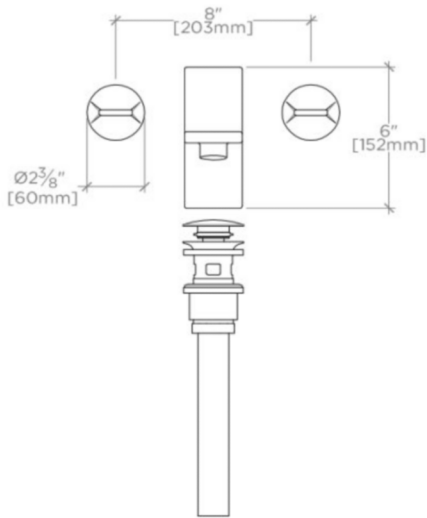
ADAPTER(S) PACKAGED SEPARATELY		
ADAPTER	DESCRIPTION	QTY
UNUK04	1/2" NPT Male x 1/2" Male Nipple 50mm Long BSP	1



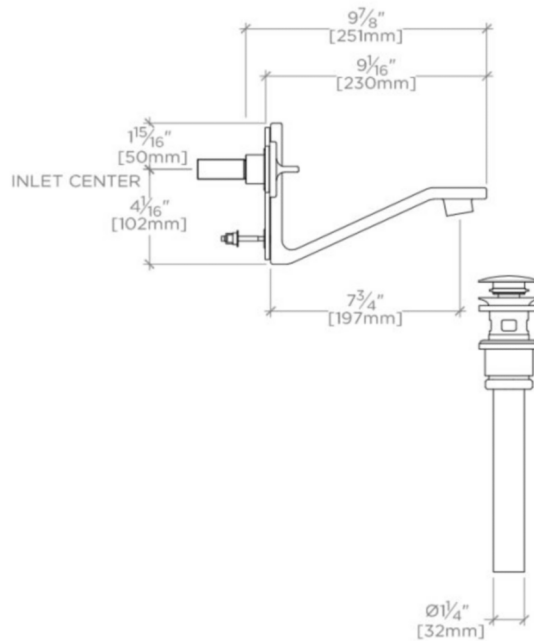
TOP VIEW SCALE: 1/2"=1'-0"



ISO VIEW SCALE: 1/2"=1'-0"



FRONT VIEW SCALE: 1/2"=1'-0"



SIDE VIEW SCALE: 1/2"=1'-0"