

TRANSIT

TR3P10

Transit Three Way Diverter Valve Trim for Pressure Balance
with Roman Numerals and Lever Handle



SHOWN IN TRANSIT THREE WAY DIVERTER VALVE TRIM FOR PRESSURE BALANCE WITH ROMAN NUMERALS AND LEVER HANDLE
| TR3P10

INSPIRATION

Stylish simplicity that fits into any decor. Each design represents a sophisticated mix of modern and traditional influences, streamlined into a sculpted and tapered look.

PRODUCT FEATURES

Lever Handle

For Use With a Pressure Balance Shower System and Three Waterway Outlets

Features Roman Numerals Representing Outlet Position

Stocked in Chrome, Nickel, Brass

Requires valve rough sold separately

TECHNICAL DETAILS

ADA Compliance: Yes
Fittings Hole Diameter: 2"
Handle Turn Angle: Quarter Turn Each Way
Number Of Holes: One Hole
Primary Material: Brass

CODES & STANDARDS

ASME A112.18.1/CSA B125.1

CERTIFICATIONS

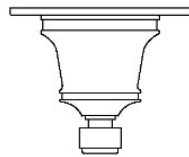


PRODUCT (NOTES)

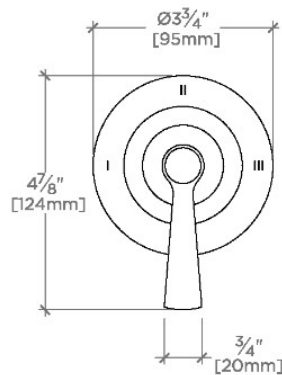
TRANSIT

TR3P10

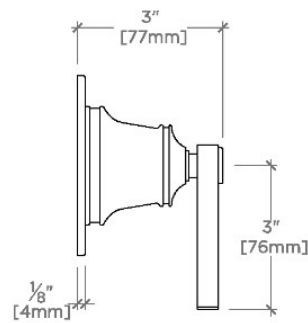
Transit Three Way Diverter Valve Trim for Pressure Balance
with Roman Numerals and Lever Handle



TOP VIEW SCALE: 3"=1'-0"



FRONT VIEW SCALE: 3"=1'-0"



SIDE VIEW SCALE: 3"=1'-0"