

Alta

ALVN07

Alta Integrated Single Vanity with Square Legs and Hardware with MRLVHU Sink and Slab 25" x 21 1/2" x 34 1/2" with 4" x 3/4" Backsplash



SHOWN IN ALTA INTEGRATED SINGLE VANITY WITH SQUARE LEGS AND HARDWARE WITH MRLVHU SINK AND SLAB 25" X 21 1/2" X 34 1/2" WITH 4" X 3/4" BACKSPLASH | ALVN07

TECHNICAL DETAILS

ADA Compliance: No
Adjustable Levelers Feet: N
Bowl Shape: Oval
Depth To Overflow: 114 mm
Drain Hole Depth: 44 mm
Drain Hole Diameter: 44 mm
Fittings Hole Depth: 32 mm
Fittings Hole Diameter: 35 mm
Overflow Opening: Yes
Primary Material: Wood
Sink Visibility: N

INSPIRATION

Modern & minimalist. Alta incorporates mid-century elements with notable architectural & industrial influences.

CODES & STANDARDS

PRODUCT FEATURES

Designed by and exclusive to Waterworks

Vanity with Integrated Hardware; specify Brass or Nickel when ordering

Stocked in Clear Oak Finish

Includes Manchester sink and choice of stocked stone tops in Carrara or Arabescato

Install with or without backsplash (included)

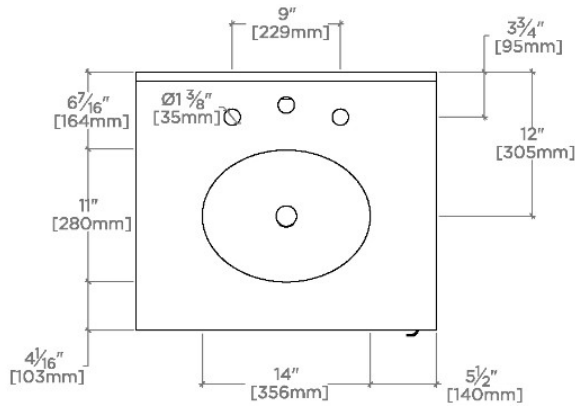
CERTIFICATIONS

PRODUCT (NOTES)

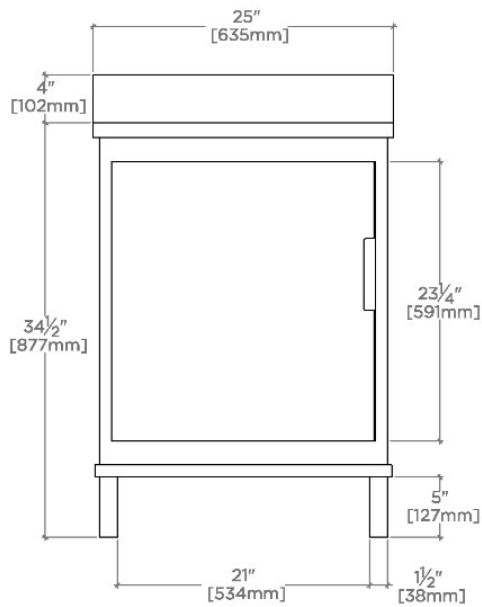
Alta

ALVN07

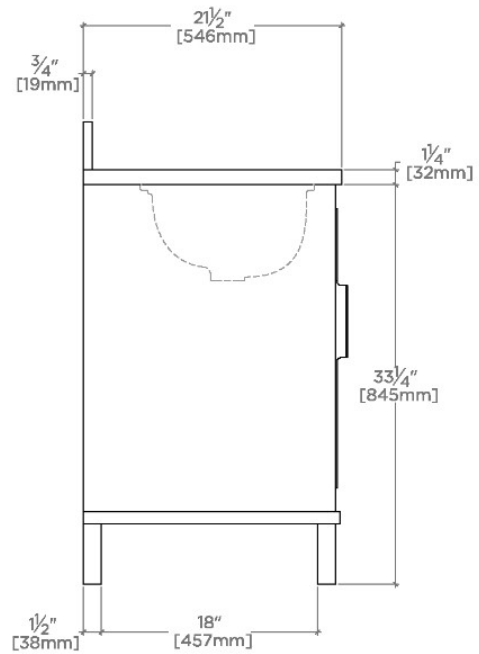
Alta Integrated Single Vanity with Square Legs and Hardware with MRLVHU Sink and Slab 25" x 21 1/2" x 34 1/2" with 4" x 3/4" Backsplash



TOP VIEW SCALE: 3/4"=1'-0"



FRONT VIEW SCALE: 3/4"=1'-0"



SIDE VIEW SCALE: 3/4"=1'-0"