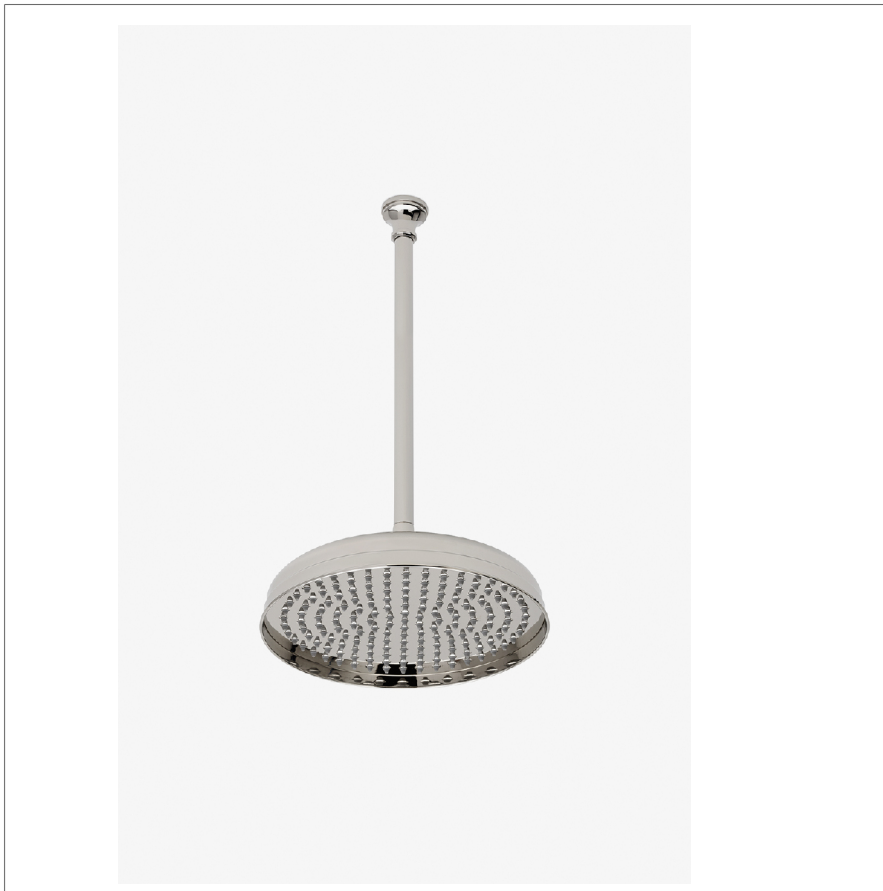


## Etoile

ETS122

Etoile 12" Rain Showerhead with 18" Ceiling Mounted Shower Arm



SHOWN IN ETOILE 12" RAIN SHOWERHEAD WITH 18" CEILING MOUNTED SHOWER ARM | ETS122

### TECHNICAL DETAILS

Adjustable Versus Fixed Spray: Fixed  
Fittings Hole Diameter: 32 mm  
Flow Restriction Options: 1.5, 1.75, 2.0  
Inlet Connection Size: 1/2"  
Inlet Connection Type: Male NPT  
Pivot: Y  
Primary Material: Brass  
Restricted Maximum Flow Rate: 6.6 liters/min  
Water Pressure Maximum: 6.0 bar  
Water Pressure Minimum: 1.5 bar  
Water Pressure Recommended: 3.0 bar

### INSPIRATION

Defined elegance. Etoile has a European sophistication with a timeless sense of chic.

### CODES & STANDARDS

ETS122X, ASME A112.18.1/CSA B125.1, CEC(1.5GPM & 1.75GPM Only), WaterSense(1.5GPM, 1.75GPM & 2.0GPM Only), DOE, State of MA

### PRODUCT FEATURES

Made of Brass

Features a swivel 12" rain showerhead with easy clean rubber nozzles

Includes an 18" ceiling mounted shower arm

Stocked in Brass, Chrome, Nickel and Matte Nickel

Rain showerhead available in 1.75gpm (6.6L/min) flow rate

### CERTIFICATIONS



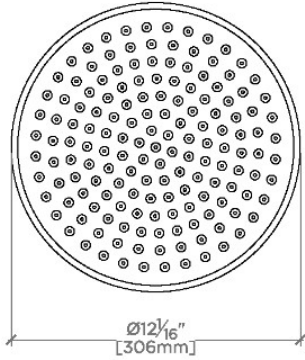
### PRODUCT (NOTES)

# WATERWORKS

## Etoile

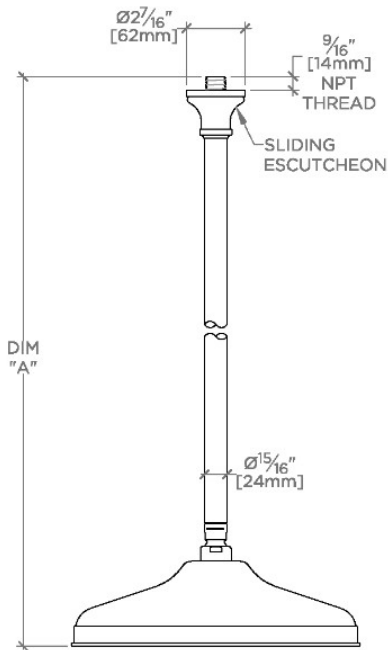
ETS122

Etoile 12" Rain Showerhead with 18" Ceiling Mounted Shower Arm

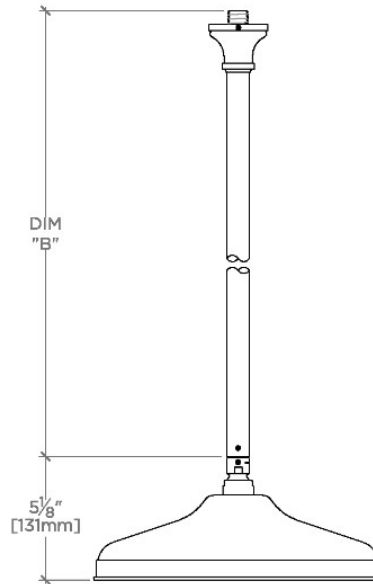


CEILING VIEW SCALE: 1/2"=1'-0"

STYLE NO.	DIM "A"	DIM "B"
ETS120	11 <sup>3</sup> / <sub>4</sub> " [298mm]	6 <sup>9</sup> / <sub>16</sub> " [167mm]
FRS120		
JUS120		
ETS121	17 <sup>3</sup> / <sub>4</sub> " [450mm]	12 <sup>9</sup> / <sub>16</sub> " [319mm]
FRS121		
JUS121		
ETS122	23 <sup>3</sup> / <sub>4</sub> " [603mm]	18 <sup>9</sup> / <sub>16</sub> " [472mm]
FRS122		
JUS122		



FRONT VIEW SCALE: 1/2"=1'-0"



SIDE VIEW SCALE: 1/2"=1'-0"