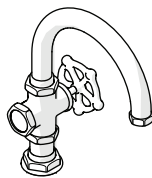
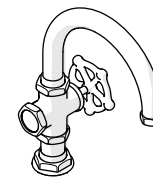


# INSTALLATION GUIDELINES



**STYLE No. RGKM01, RGKM02  
RG01KM, RG02KM**  
Regulator One Hole Gooseneck  
Bar Faucet with Black/Metal  
Wheel Handle



**STYLE No. RGLS40, RGLS41  
RG40LS, RG41LS**  
Regulator Gooseneck One Hole  
Lavatory Faucet with Black/Metal  
Wheel Handle

**IMPORTANT:**

- To ensure this product is installed properly, you must read and follow these guidelines.
- The owner/user of this product must keep this information for future reference.
- This product must be installed by a professional licensed contractor.
- Be sure your installation conforms to federal state, and local codes. In the State of Massachusetts, all installations must comply with the rules and regulations set forth within 248 CMR.
- Inspect this product to ensure you have all the parts required for proper installation. Product is sold partially assembled but shown fully disassembled for illustrative and service purposes only.
- Use only a strap wrench or protected/smooth-jaw wrench on any finished surface.
- The use of certain plumber’s putty may stain stone or tile surfaces.
- If further assistance is required, please contact Product Support at 1-800-927-2120 Monday through Friday, 8am - 6pm EST.
- Refer to the separate Service Parts Documents for available replacement parts.

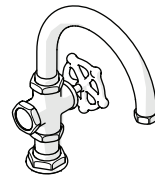
**TECHNICAL DETAILS:**

STYLE	DETAIL	SPECIFICATION
ALL	DECK THICKNESS	1/4" [6mm] MINIMUM 2-1/16" [52mm] MAXIMUM
RGLS40, RGLS41, RG40LS, RG41LS ONLY	DRAIN DEPTH	3/8" [10mm] MIN 2-5/8" [67mm] MAX
	DRAIN HOLE DIAMETER	Ø1-3/4" [44mm]
	DRAIN STYLE	PUSH TOUCH
ALL	FITTINGS HOLE DIAMETER	Ø1-3/4" [44mm]
ALL	HANDLE TURN ANGLE	QUARTER TURN
ALL	INLET CONNECTION	3/8" COMPRESSION CONNECTOR HOSES †
ALL	SPOUT REACH	8-1/4" [210mm]
ALL	WATER PRESSURE RANGE	20psi [1.5 bar] MIN 85psi [6.0 bar] MAX
ALL	WATER PRESSURE RECOMMENDED	45psi [3.0 bar]

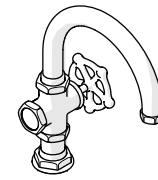
† UK Style No. **RG01KM, RG02KM, RG40LS, and RG41LS** are supplied with 2 **BSPP** adapters, assembly required.

# WATERWORKS

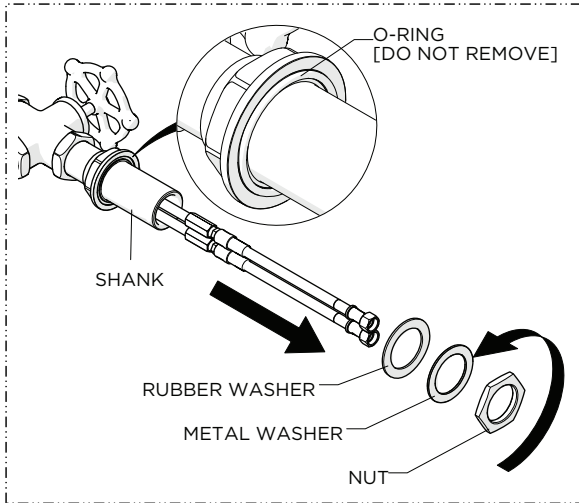
## INSTALLATION GUIDELINES



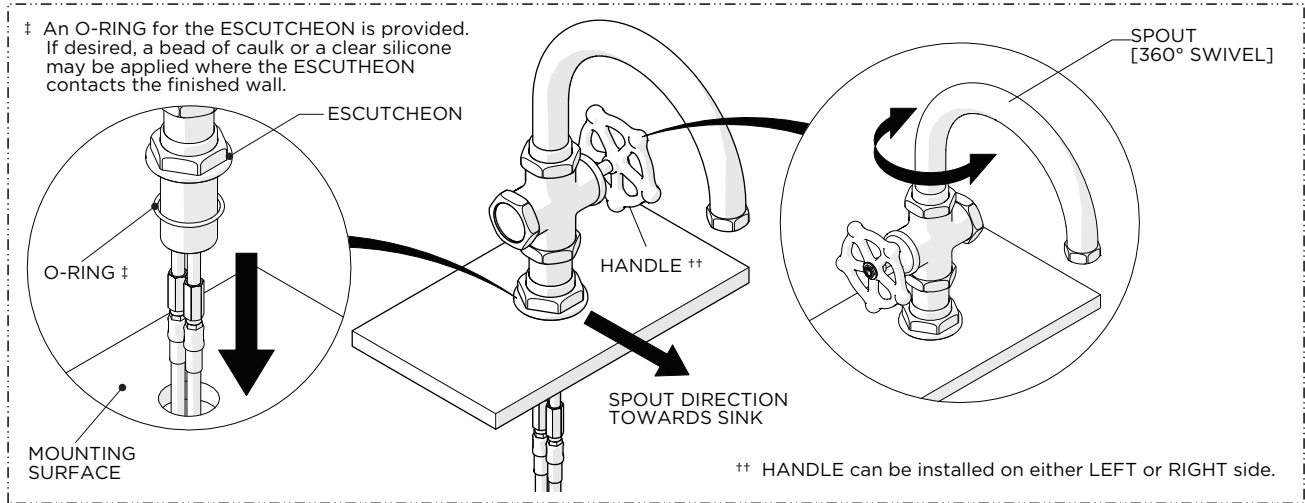
**STYLE No. RGKM01, RGKM02  
RG01KM, RG02KM**  
Regulator One Hole Gooseneck  
Bar Faucet with Black/Metal  
Wheel Handle



**STYLE No. RGLS40, RGLS41  
RG40LS, RG41LS**  
Regulator Gooseneck One Hole  
Lavatory Faucet with Black/Metal  
Wheel Handle



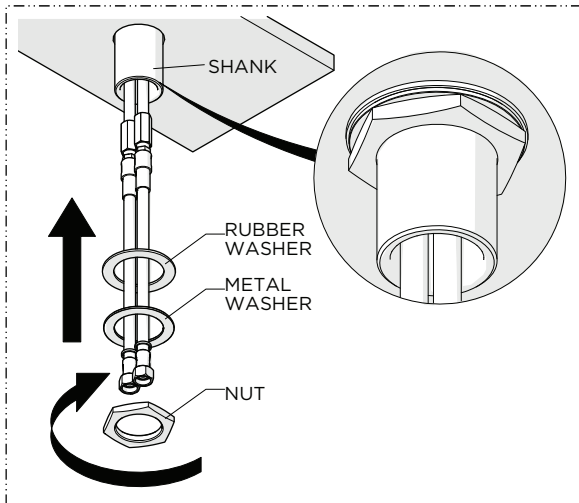
1. Remove the NUT, METAL and RUBBER WASHERS from the SPOUT SHANK.  
**NOTE:** Do NOT remove the O-RING beneath the ESCUTCHEON.



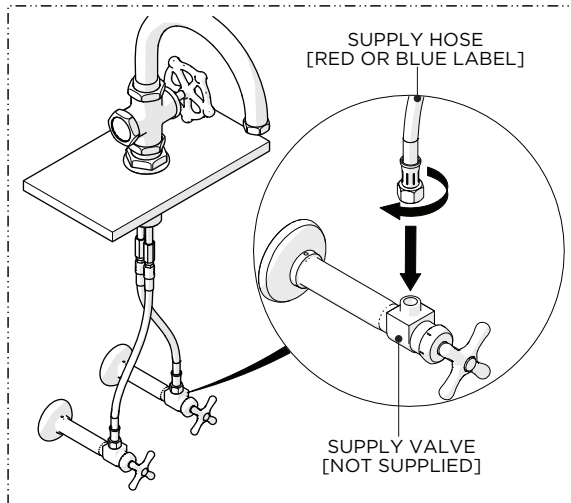
2. Ensure the COPPER TUBES and SUPPLY HOSES are securely tightened then insert the SHANK through the hole on the mounting surface making sure the O-RING provided is beneath the ESCUTCHEON.

† An O-RING for the ESCUTCHEON is provided. If desired, a bead of caulk or a clear silicone may be applied where the ESCUTCHEON contacts the finished wall.

‡ HANDLE can be installed on either LEFT or RIGHT side.

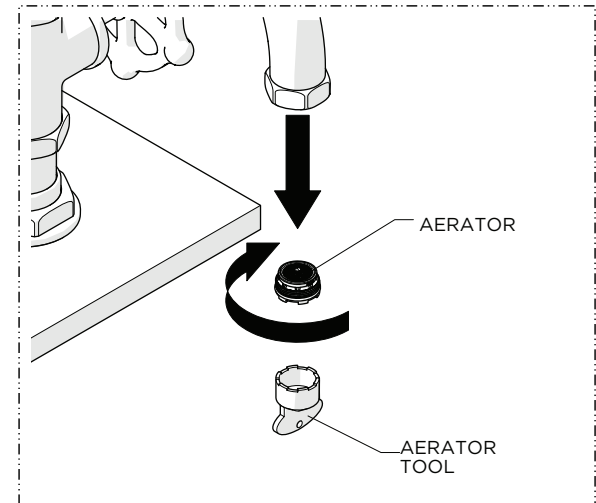


3. Re-install the RUBBER and METAL WASHERS then thread and securely tighten the NUT onto the SHANK.



4. Connect the SUPPLY HOSES to the SUPPLY VALVES [sold separately] making sure the HOSES are not pinched/kinked.

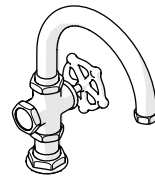
**NOTE:** The HOSES are labeled RED for HOT and BLUE for COLD.



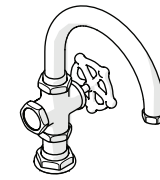
5. Remove the AERATOR using the TOOL provided.  
➤ **STOP! PROCEED TO STEP 12 FOR STYLES RGKM01, RGKM02, RG01KM, RG02KM.**

# WATERWORKS

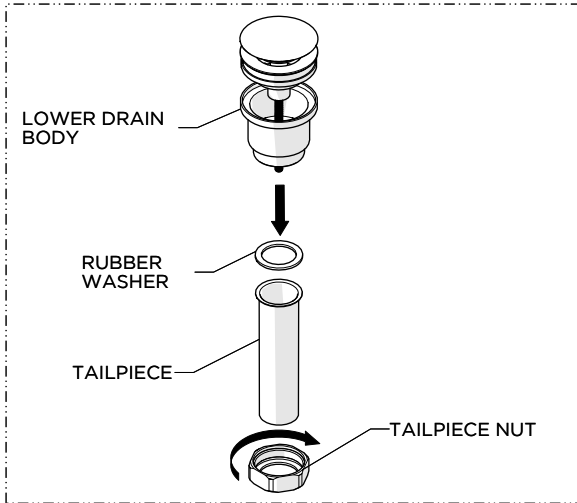
## INSTALLATION GUIDELINES



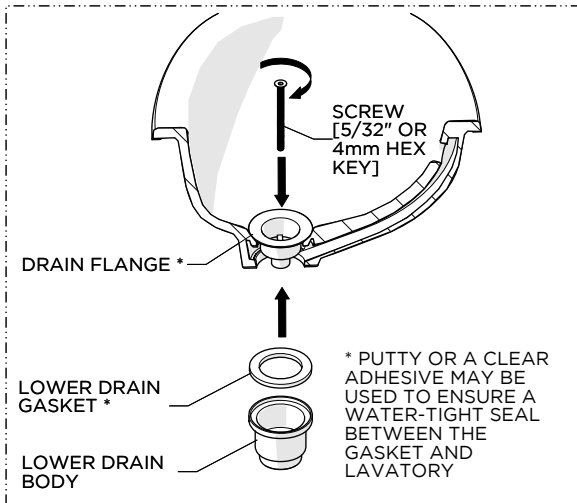
**STYLE No. RGKM01, RGKM02  
RG01KM, RG02KM**  
Regulator One Hole Gooseneck  
Bar Faucet with Black/Metal  
Wheel Handle



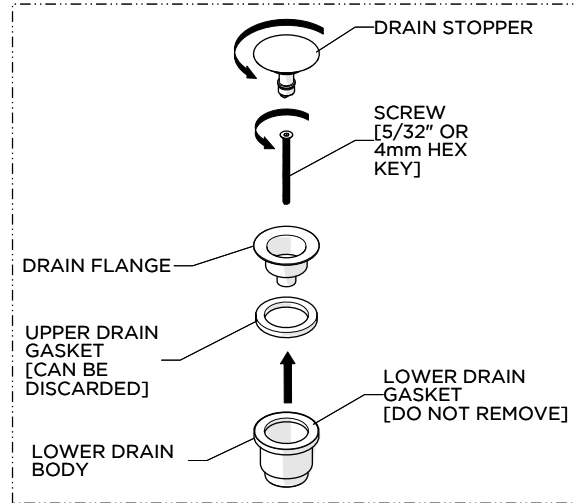
**STYLE No. RGLS40, RGLS41  
RG40LS, RG41LS**  
Regulator Gooseneck One Hole  
Lavatory Faucet with Black/Metal  
Wheel Handle



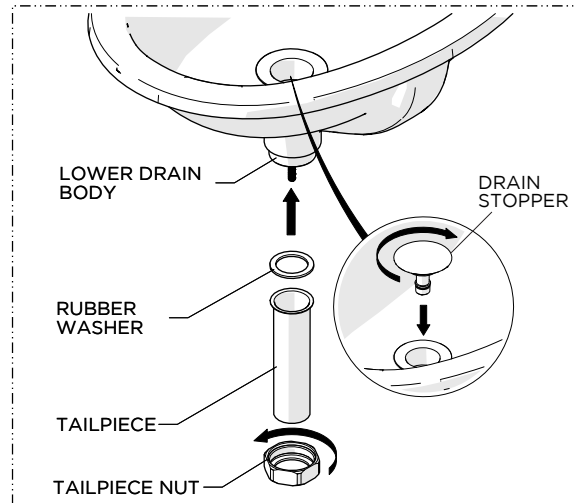
- **STOP! STEPS 6 - 11 FOR STYLES RGLS40, RGLS41, RG40LS, AND RG41LS ONLY!**
6. Remove the TAILPIECE from the LOWER DRAIN BODY.



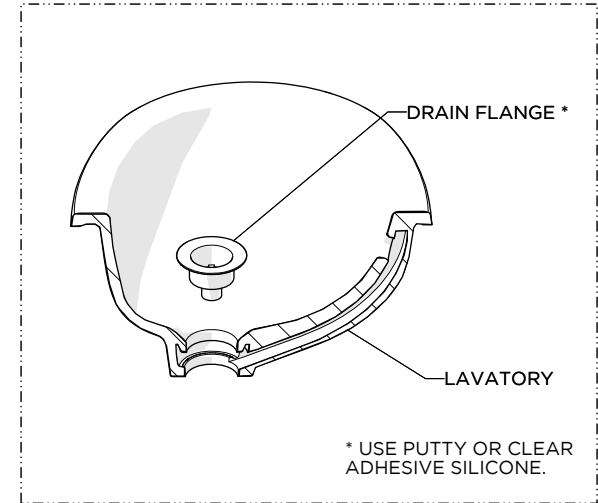
9. Re-install the LOWER DRAIN BODY making sure to use the GASKET provided. Ensure the GASKET makes a full seal on the underside of the lavatory then securely tighten the SCREW.



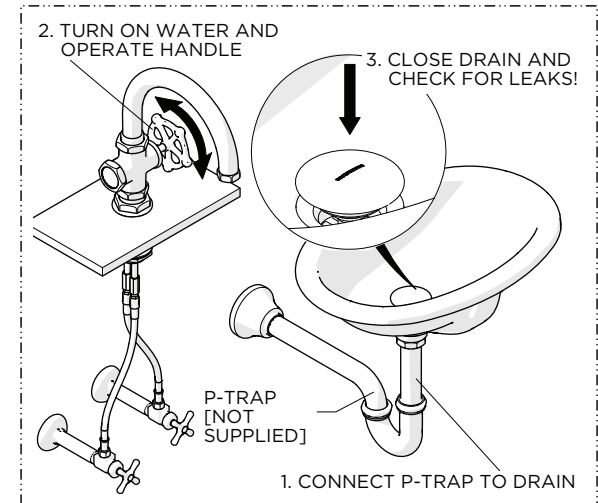
7. Unthread and remove the DRAIN STOPPER and LOWER DRAIN BODY from the DRAIN FLANGE. The UPPER DRAIN GASKET can be discarded.
- CAUTION:** Do **NOT** discard the LOWER DRAIN GASKET.



10. Re-install the DRAIN STOPPER then the TAILPIECE using the WASHER and NUT provided.



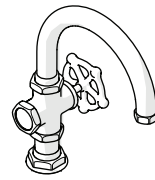
8. Set the DRAIN FLANGE in the lavatory [sold separately] using putty or a clear adhesive silicone.



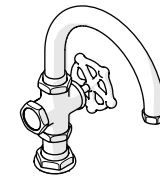
11. Make final P-TRAP [sold separately] connections then turn on the water to flush out the supply lines, and inspect all connections for leaks. Close the DRAIN to ensure it functions properly then turn off the water.

# WATERWORKS

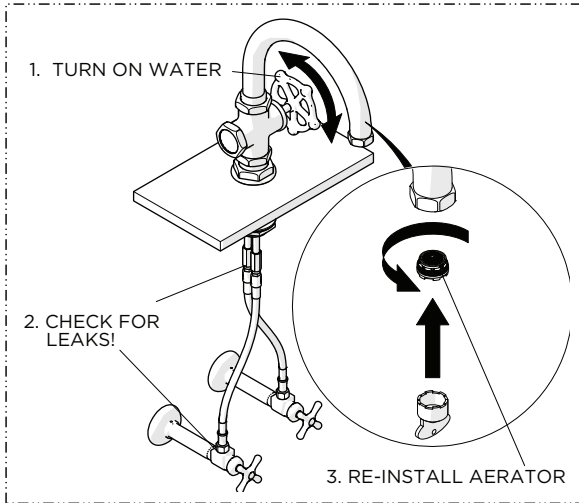
## INSTALLATION GUIDELINES



**STYLE No. RGKM01, RGKM02  
RG01KM, RG02KM**  
Regulator One Hole Gooseneck  
Bar Faucet with Black/Metal  
Wheel Handle

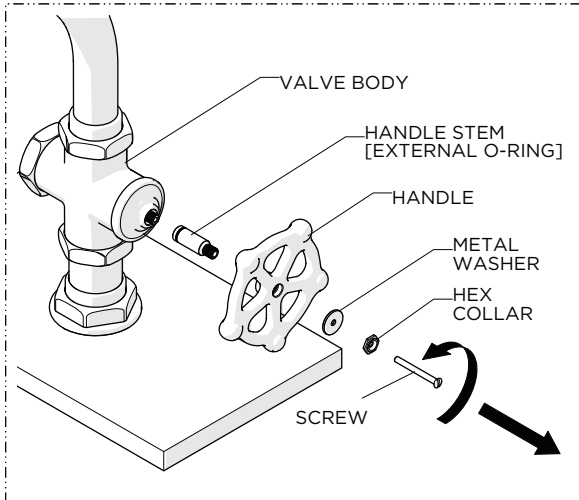


**STYLE No. RGLS40, RGLS41  
RG40LS, RG41LS**  
Regulator Gooseneck One Hole  
Lavatory Faucet with Black/Metal  
Wheel Handle



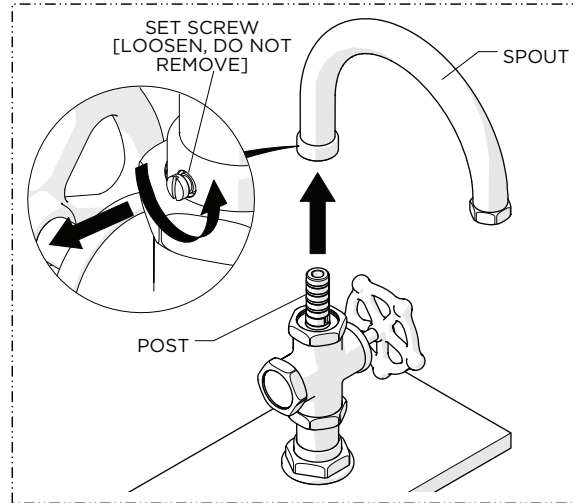
12. Turn on the water to flush out the supply lines and inspect all connections for leaks then turn off the water and re-install the AERATOR.

**NOTE:** 2-3 Seconds of residual water is typical on large gooseneck faucets.



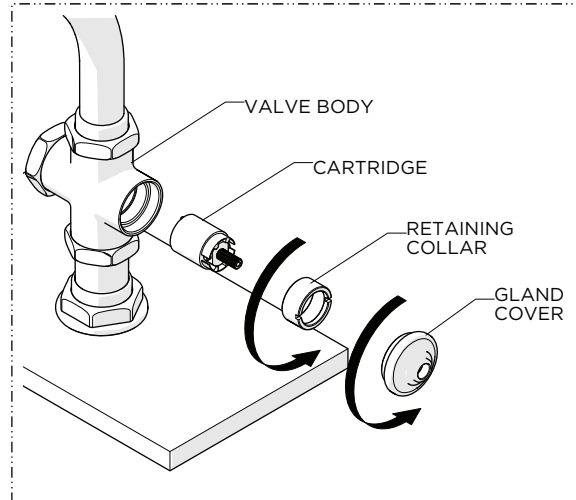
### SERVICING: CARTRIDGE

1. Unthread and remove the SCREW, HEX COLLAR, METAL WASHER, HANDLE and HANDLE STEM.

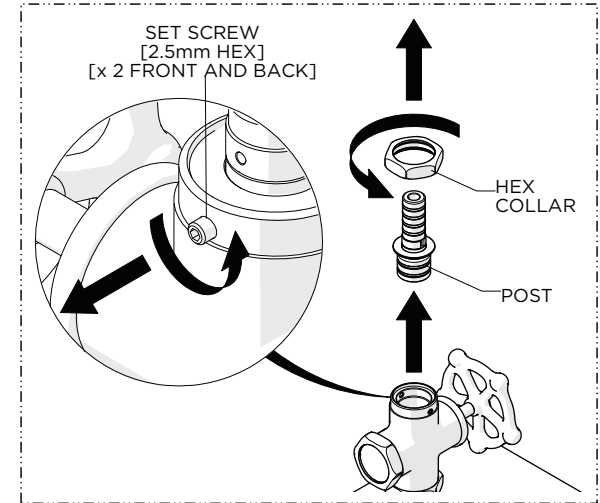


### SERVICING: SPOUT

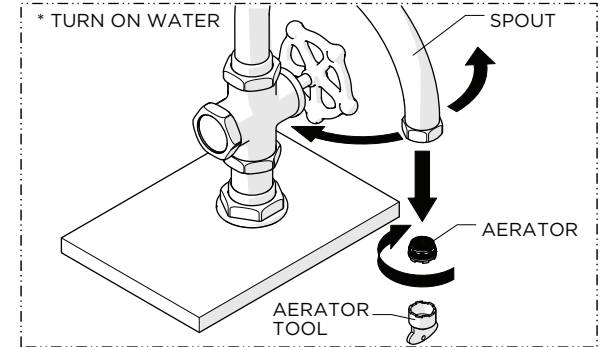
1. Loosen, but do **NOT** remove, the SET SCREW at the base of the SPOUT then pull the SPOUT up to remove it and expose the POST.



2. Unthread and remove the GLAND COVER and RETAINING COLLAR to expose and remove the CARTRIDGE.



2. Unthread and remove the HEX COLLAR, loosen the exposed SET SCREWS on the front and back of VALVE BODY then pull the POST up to remove it.



### TROUBLESHOOTING: SPOUT DRIPPING

If the faucet has a steady stream or drip of water after the unit has been shut off, air may be trapped in the body of the SPOUT and it needs to be purged.

1. Remove the AERATOR and turn water on making sure to move the SPOUT left and right while the water is running. Allow the water to run long until the dripping stops immediately after turning off the water.

**NOTE:** Air may be heard escaping during purging.