

EASTON

EA14TF

Easton Vintage Low Profile Concealed Tub Filler With Handshower and Black Porcelain Lever Handles



SHOWN IN EASTON VINTAGE LOW PROFILE CONCEALED TUB FILLER WITH HANDSHOWER AND BLACK PORCELAIN LEVER

TECHNICAL DETAILS

ADA Compliance: No
 Adjustable versus Fixed Spray: Fixed Spray
 Deck Thickness Maximum: 38 mm
 Deck Thickness Minimum: 0 mm
 Diameter of Head: 76 mm
 Escutcheon Primary Material: Brass
 Fittings Hole Diameter: 35 mm
 Flow Restriction Options: 2.0, 1.75, 1.5, 0.92
 Handle Spread Maximum: 305 mm
 Handle Spread Minimum: 254 mm
 Handle Turn Angle: Quarter Turn
 Handshower / Spray Hose Length: 2.0 m
 Depth / Width: 311 mm
 Height: 184 mm
 Index Marking: H/C
 Inlet Connection Size: 3/4"
 Inlet Connection Type: Male G/BSPP
 Inlet Supply Spread Maximum: 305 mm
 Inlet Supply Spread Minimum: 254 mm
 Installation Type: Deck Mounted
 Integrated Diverter: N
 Length: 457 mm
 Number of Handles: Two
 Number of Holes: Four Hole
 Pivot: N
 Primary Material: Brass
 Restricted Maximum Flow Rate: 9.5 liters/min
 Spout Reach: 10"
 Spout Swivel: N
 Suggested Application: Bath
 Water Pressure Maximum: 5.5 bar
 Water Pressure Minimum: 1.5 bar
 Water Pressure Recommended: 3.0 bar

INSPIRATION

Drawing on Edwardian style, Easton is the most extensive Waterworks family; a range of moods and a selection of products from fittings to furniture.

CODES & STANDARDS

Code # : ASME A112.18.1, CSA B125, ASSE 1014, IAPMO, State of MA

PRODUCT FEATURES

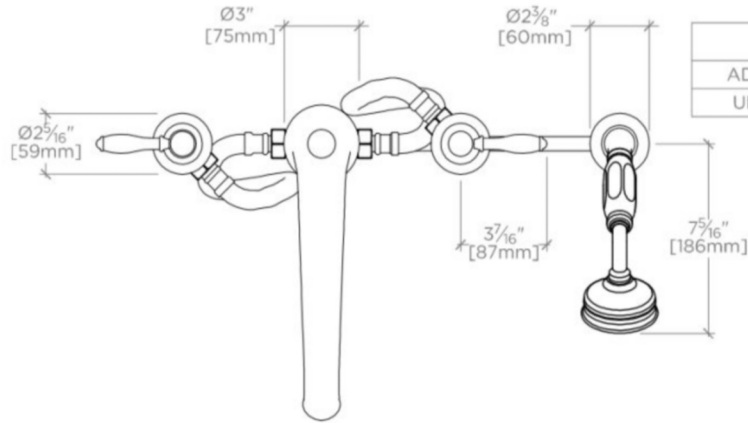
Standard flow rate is 2.5gpm for handshower only. Also available in high efficiency flow options. Contact your sales associate or call 1 (800) 899-6757 for details.

WATERWORKS

EASTON

EA14TF

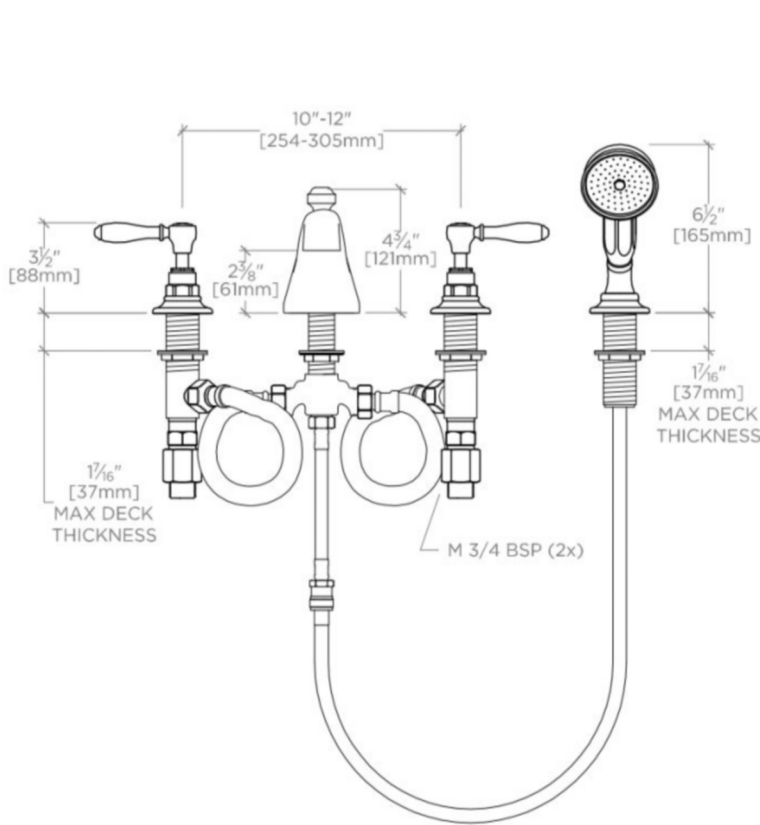
Easton Vintage Low Profile Concealed Tub Filler With Hand-shower and Black Porcelain Lever Handles



ADAPTER(S) PACKAGED SEPARATELY		
ADAPTER	DESCRIPTION	QTY
UNUK05	3/4" NPT Female x 3/4" Male BSP	2

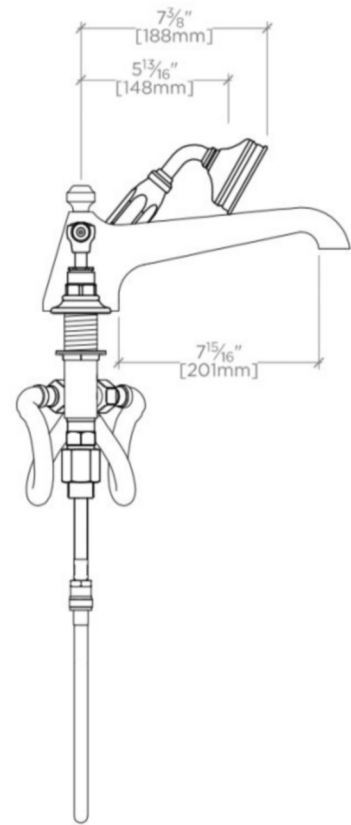
TOP VIEW

SCALE: 1 1/2"=1'-0"



FRONT VIEW

SCALE: 1 1/2"=1'-0"



SIDE VIEW

SCALE: 1 1/2"=1'-0"