

## RIVERUN

RR20XT

Riverun Wall Mounted Exposed Tub Filler with Handshower and Two-Tone Tri-Spoke Handles



SHOWN IN RIVERUN WALL MOUNTED EXPOSED TUB FILLER WITH HANDSHOWER AND TWO-TONE TRI-SPOKE HANDLES | RR20XT

### TECHNICAL DETAILS

ADA Compliance: No  
 Adjustable Versus Fixed Spray: Fixed  
 Diameter Of Legs Tubes: 1 1/16"  
 Fittings Hole Diameter: 1 1/4"  
 Handle Spread Maximum: 7 5/8"  
 Handle Spread Minimum: 7 5/8"  
 Handle Turn Angle: Quarter Turn  
 Handshower Spray Hose Length: 59"  
 Inlet Connection Size: 3/4"  
 Inlet Connection Type: Male BSPP  
 Inlet Supply Spread Maximum: 7 5/8"  
 Inlet Supply Spread Minimum: 7 5/8"  
 Integrated Diverter: Y  
 Integrated Spray: N  
 Number Of Holes: Two Hole  
 Pivot: N  
 Primary Material: Brass  
 Restricted Maximum Flow Rate: 1.75 gpm  
 Spout Swivel: N  
 Spray Included In Unit: Y  
 Valve Material: Ceramic  
 Water Pressure Maximum: 85.0 psi  
 Water Pressure Minimum: 20.0 psi  
 Water Pressure Recommended: 45.0 psi

### INSPIRATION

A new American classic designed with simplicity in mind, Riverun epitomizes quiet elegance through streamlined forms and honest details. These nuanced designs project distinctly American sophistication while effortlessly adapting to any design story.

### CODES & STANDARDS

### PRODUCT FEATURES

Features All Metal Tri-Spoke Handle.

Diverter handle allows bather to move water from spout to handshower

The Handshower offers a fixed spray pattern

Stocked in Nickel/Matte Black and Brass/Matte Black

Unrestricted flow for tub spout. Handshower available in 1.75gpm (6.6L/min) flow rate

### CERTIFICATIONS

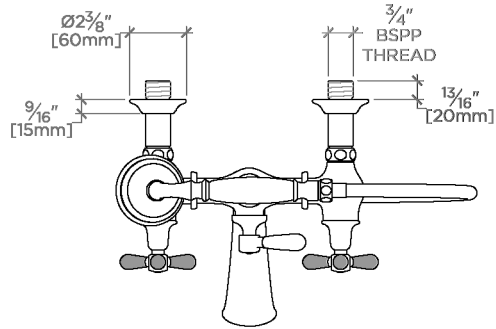
### PRODUCT (NOTES)

# WATERWORKS

## RIVERUN

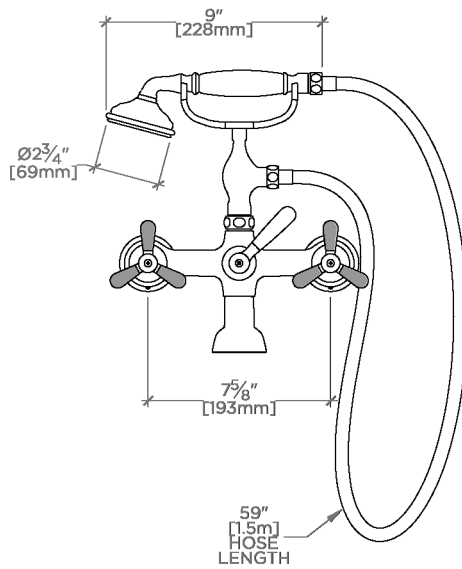
RR20XT

Riverun Wall Mounted Exposed Tub Filler with Handshower and Two-Tone Tri-Spoke Handles



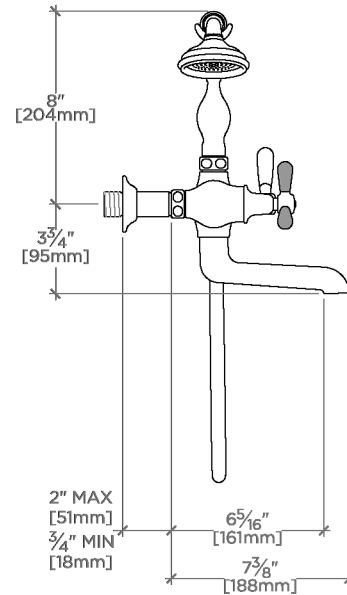
TOP VIEW

SCALE: 1/2"=1'-0"



FRONT VIEW

SCALE: 1/2"=1'-0"



SIDE VIEW

SCALE: 1/2"=1'-0"