

## TRANSIT

TR2T10

Transit Two Way Diverter Valve Trim for Thermostatic with Roman Numerals and Lever Handle



SHOWN IN TRANSIT TWO WAY DIVERTER VALVE TRIM FOR THERMOSTATIC WITH ROMAN NUMERALS AND LEVER HANDLE | TR2T10

### INSPIRATION

Stylish simplicity that fits into any decor. Each design represents a sophisticated mix of modern and traditional influences, streamlined into a sculpted and tapered look.

### PRODUCT FEATURES

Lever Handle

For Use With a Thermostatic Shower System and Two Waterway Outlets

Features Roman Numerals Representing Outlet Position

Stocked in Chrome, Nickel, Brass

Requires Rough Valve, Sold Separately: GUDV2T (US) GU2TDV (UK)

### TECHNICAL DETAILS

ADA Compliance: Yes  
Fittings Hole Diameter: 2"  
Handle Turn Angle: Quarter Turn Each Way  
Number Of Holes: One Hole  
Primary Material: Brass

### CODES & STANDARDS

ASME A112.18.1/CSA B125.1

### CERTIFICATIONS

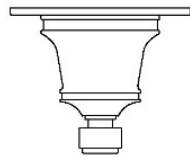


### PRODUCT (NOTES)

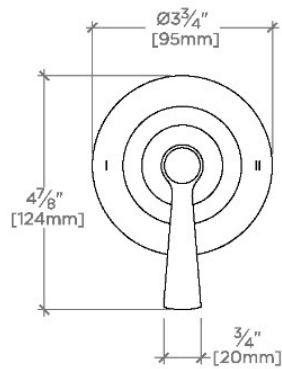
## TRANSIT

TR2T10

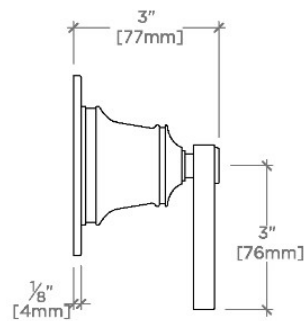
Transit Two Way Diverter Valve Trim for Thermostatic with Roman Numerals and Lever Handle



TOP VIEW SCALE: 3"=1'-0"



FRONT VIEW SCALE: 3"=1'-0"



SIDE VIEW SCALE: 3"=1'-0"