

## BOND

BHS001

Bond Handshower on Hook



SHOWN IN BOND HANDSHOWER ON HOOK | BHS001

### TECHNICAL DETAILS

Adjustable Versus Fixed Spray: Fixed Spray  
 Fittings Hole Diameter: 1"  
 Handshower Spray Hose Length: 59"  
 Inlet Connection Size: 1/2"  
 Inlet Connection Type: FEMALE NPT  
 Integrated Diverter: N  
 Pivot: N  
 Primary Material: Brass  
 Restricted Maximum Flow Rate: 1.75 gpm  
 Water Pressure Maximum: 85.0 psi  
 Water Pressure Minimum: 20.0 psi  
 Water Pressure Recommended: 45.0 psi

### INSPIRATION

Modern designs infused with rare soul and artistry. Explore our wide range of Bond bath and kitchen elements, from fittings to fixtures to hardware.

### CODES & STANDARDS

ASME A112.18.1/CSA B125.1, Waterworks Handshowers use check valves compliant to ASME A112.18.3 for backflow protection.CEC, State of MA

### PRODUCT FEATURES

2 -1/8" head with rubber nozzles

Stocked in Chrome, Nickel, Brass and Dark Nickel

Available in 1.75gpm (6.6L/min) flow rate

### CERTIFICATIONS

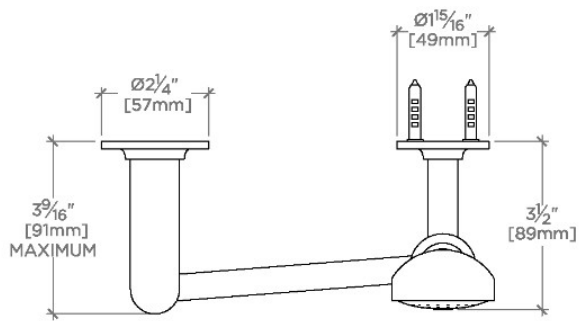


### PRODUCT (NOTES)

## BOND

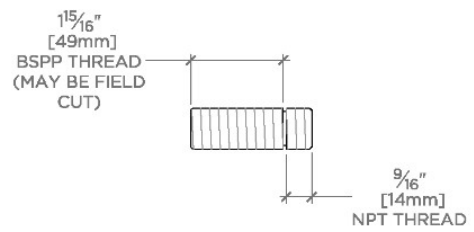
BHS001

Bond Handshower on Hook

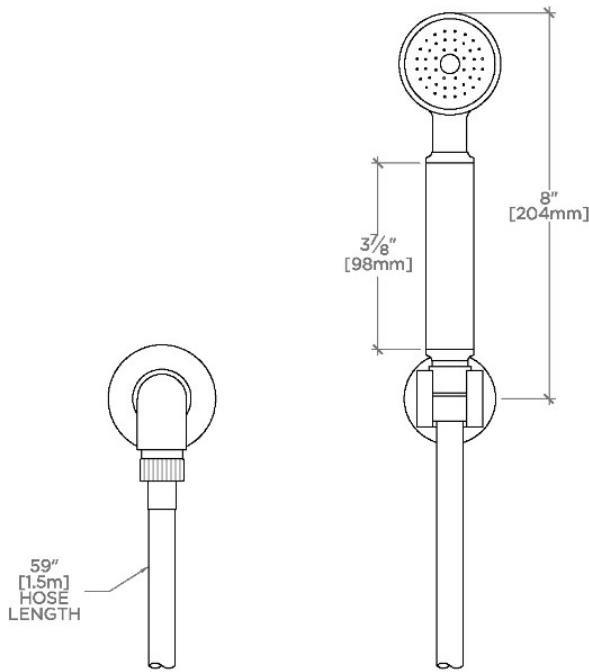


TOP VIEW

SCALE: 3"=1'-0"

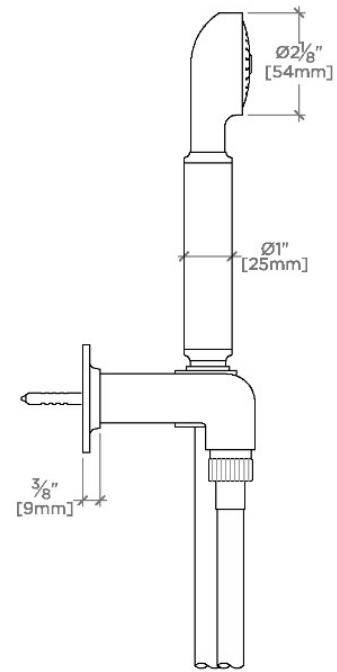


ADAPTER INCLUDED - INTERNATIONAL USE ONLY



FRONT VIEW

SCALE: 3"=1'-0"



SIDE VIEW

SCALE: 3"=1'-0"