

FLYTE

Flyte Gooseneck Lavatory Faucet with Cross Handles

FLLS20



TECHNICAL DETAILS

Deck Thickness Maximum: 1 5/8"
Deck Thickness Minimum: 1/4"
Drain Depth Maximum: 2"
Drain Hole Diameter: 1 1/2"
Drain Style: Push-Touch
Fittings Hole Diameter: 1 3/8"
Handle Spread Maximum: 12"
Handle Spread Minimum: 8"
Handle Turn Angle: Quarter Turn
Drain Depth Minimum: 3/8"
Inlet Connection Size: 1/2"
Inlet Connection Type: Male with Supply Nut
Inlet Supply Spread Maximum: 12"
Inlet Supply Spread Minimum: 8"
Restricted Maximum Flow Rate: 1.2 gpm
Valve Material: Ceramic
Water Pressure Maximum: 85.0 psi
Water Pressure Minimum: 20.0 psi
Water Pressure Recommended: 45.0 psi

INSPIRATION

Pure Modernism. Like minimalist works of art, the elegant proportions of these light, fluid elements bring sculptural reference to a room.

PRODUCT FEATURES

Cross Handles

Includes universal size push touch drain

Stocked in Chrome, Nickel and Matte Black

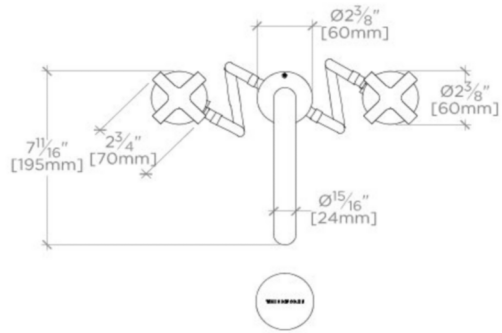
Available in 1.2gpm (4.5L/min) flow rate

WATERWORKS

FLYTE

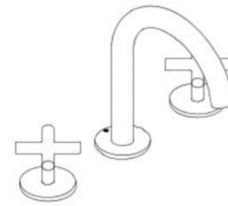
FLLS20

Flyte Gooseneck Lavatory Faucet with Cross Handles



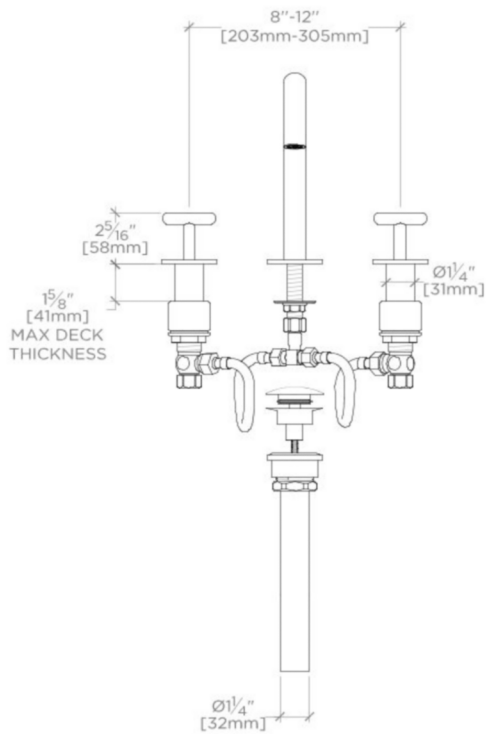
TOP VIEW

SCALE: 1/2"=1'-0"



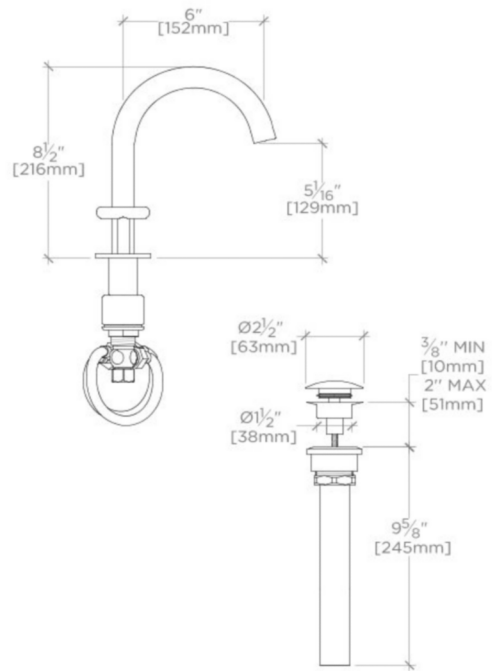
ISO VIEW

SCALE: 1/2"=1'-0"



FRONT VIEW

SCALE: 1/2"=1'-0"



SIDE VIEW

SCALE: 1/2"=1'-0"