

## Foro

FRLS10

Foro Low Profile Three Hole Deck Mounted Lavatory Faucet with Metal Lever Handles



SHOWN IN FORO LOW PROFILE THREE HOLE DECK MOUNTED LAVATORY FAUCET WITH METAL LEVER HANDLES | FRLS10

### INSPIRATION

A mix of historical references, including finely etched vintage silver, come together in this twist on classical design - a wonderfully elegant formal statement.

### PRODUCT FEATURES

- Metal lever handles
- Includes European size pop-up drain
- Features signature engraving detail
- Stocked in Nickel and Unlacquered Brass
- Available in 1.2gpm (4.5L/min) flow rate

### TECHNICAL DETAILS

- Deck Thickness Maximum: 43 mm
- Deck Thickness Minimum: 8 mm
- Depth/Width: 191 mm
- Drain Hole Diameter: 44 mm
- Drain Style: Lift Knob
- Fittings Hole Diameter: 35 mm
- Handle Spread Maximum: 305 mm
- Handle Spread Minimum: 203 mm
- Handle Turn Angle: Quarter Turn
- Height: 117 mm
- Inlet Connection Size: 1/2"
- Inlet Connection Type: Male with Supply Nut
- Restricted Maximum Flow Rate: 4.5 liters/min
- Valve Material: Ceramic
- Water Pressure Maximum: 6.0 bar
- Water Pressure Minimum: 1.5 bar
- Water Pressure Recommended: 3.0 bar

### CODES & STANDARDS

CEC, State of MA

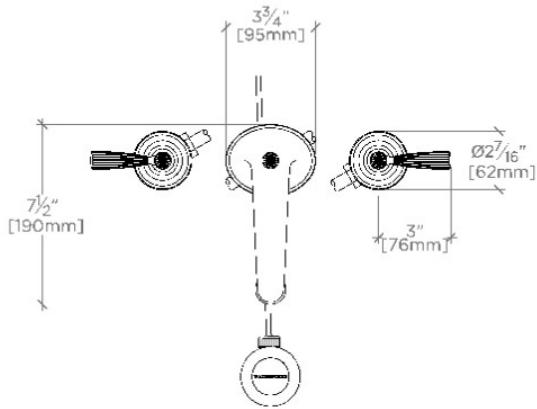
### CERTIFICATIONS

### PRODUCT (NOTES)

## Foro

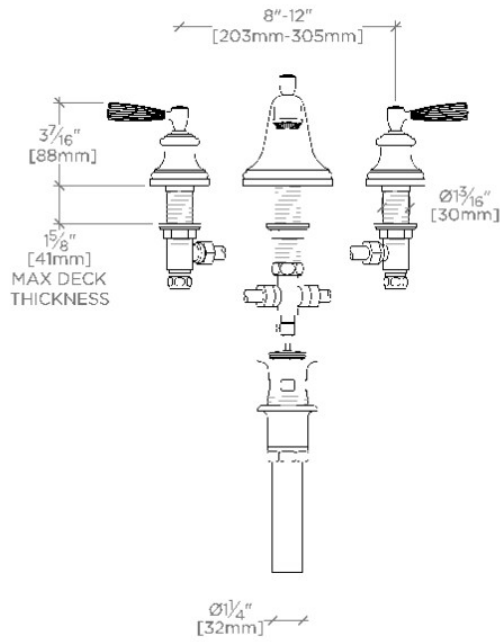
FRLS10

Foro Low Profile Three Hole Deck Mounted Lavatory Faucet with Metal Lever Handles



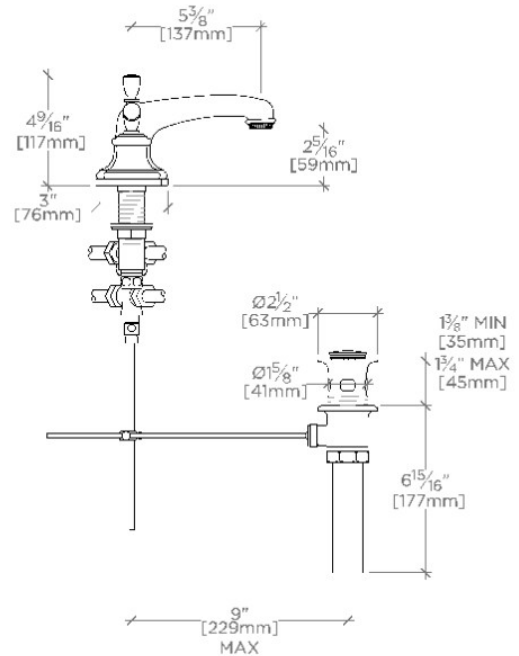
TOP VIEW

SCALE:  $1\frac{1}{2}"=1'-0"$



FRONT VIEW

SCALE:  $1\frac{1}{2}"=1'-0"$



SIDE VIEW

SCALE:  $1\frac{1}{2}"=1'-0"$