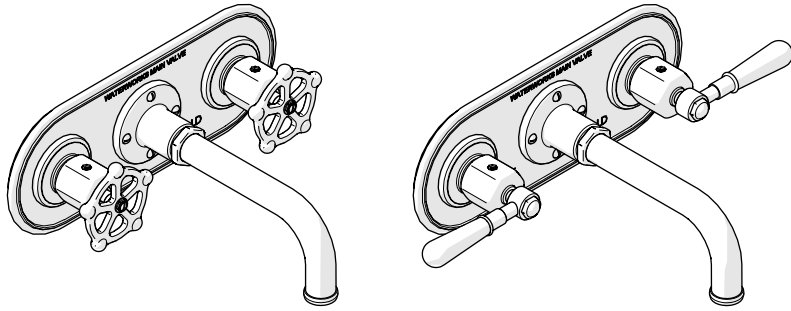


# INSTALLATION GUIDELINES

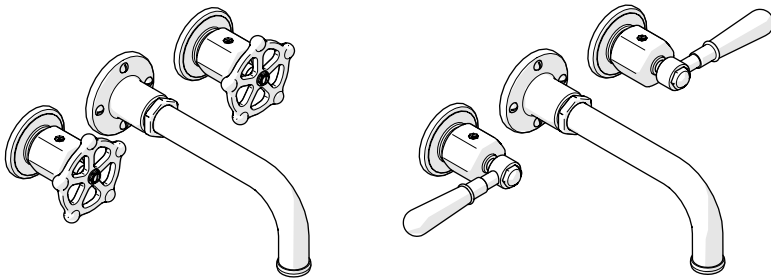
## LAVATORY FAUCET

### REGULATOR WALL MOUNTED LAVATORY FAUCET WITH TRIM PLATE AND HANDLES



STYLES			
RGLS60	RGLS61 [SHOWN]	RGLS70	RGLS71 [SHOWN]

### REGULATOR WALL MOUNTED LAVATORY FAUCET WITH HANDLES



STYLES			
RGLS62	RGLS63 [SHOWN]	RGLS72	RGLS73 [SHOWN]

#### IMPORTANT:

- To ensure this product is installed properly, you must read and follow these guidelines.
- The owner/user of this product must keep this information for future reference.
- This product must be installed by a professional licensed contractor and must be on-site prior to rough-in. This allows the installer to visualize the installation and verify the 8" center spread.

- Be sure your installation conforms to all federal, state, and local codes. In the State of Massachusetts, all installations must comply with the rules and regulations set forth within 248 CMR.
- **FAUCET AND VALVE ARE SOLD SEPARATELY.**
- Inspect this product to ensure it is the correct model and you have all the parts required for proper installation.
- Product is sold partially assembled but shown fully disassembled for illustrative and service purposes only.
- Check COUNTERTOP and SINK measurements to ensure the FAUCET projects far enough into the SINK.
- Use only a strap wrench or protected/smooth-jaw wrench on any finished surface.
- The use of certain plumber's putty may stain stone or tile surfaces.
- If further assistance is required, please contact Product Support at 1-800-927-2120 Monday through Friday, 8am - 6pm EST.
- Refer to the separate Service Parts Documents for available replacement parts.

#### TECHNICAL DETAILS:

DETAIL		SPECIFICATION
DRAIN DEPTH		3/8" [10mm] <b>MIN</b> 2" [51mm] <b>MAX</b>
DRAIN HOLE DIAMETER		Ø1-1/2" [38mm]
DRAIN STYLE		PUSH-TOUCH
FITTING HOLE DIAMETER		Ø1-3/8" [35mm]
HANDLE SPREAD		8" [203mm] <b>NOT ADJUSTABLE</b>
HANDLE TURN ANGLE		QUARTER TURN
INLET CONNECTION		1/2" Female NPT †
SPOUT REACH	WITH BACKPLATE	8-1/2" [216mm] - 9-3/16" [233mm]
	WITHOUT BACKPLATE	8-1/2" [216mm] - 8-3/4" [222mm]
WATER PRESSURE RANGE		20psi [1.5 bar] <b>MIN</b> , 85psi [6.0 bar] <b>MAX</b>
WATER PRESSURE RECOMMENDED		45psi [3.0 bar]

#### † For INTERNATIONAL USE ONLY,

- A 1/2" Male NPT x 1/2" Male BSPP ADAPTER for the SPOUT is provided. The BSPP end of the ADAPTER may be field cut.

# INSTALLATION GUIDELINES

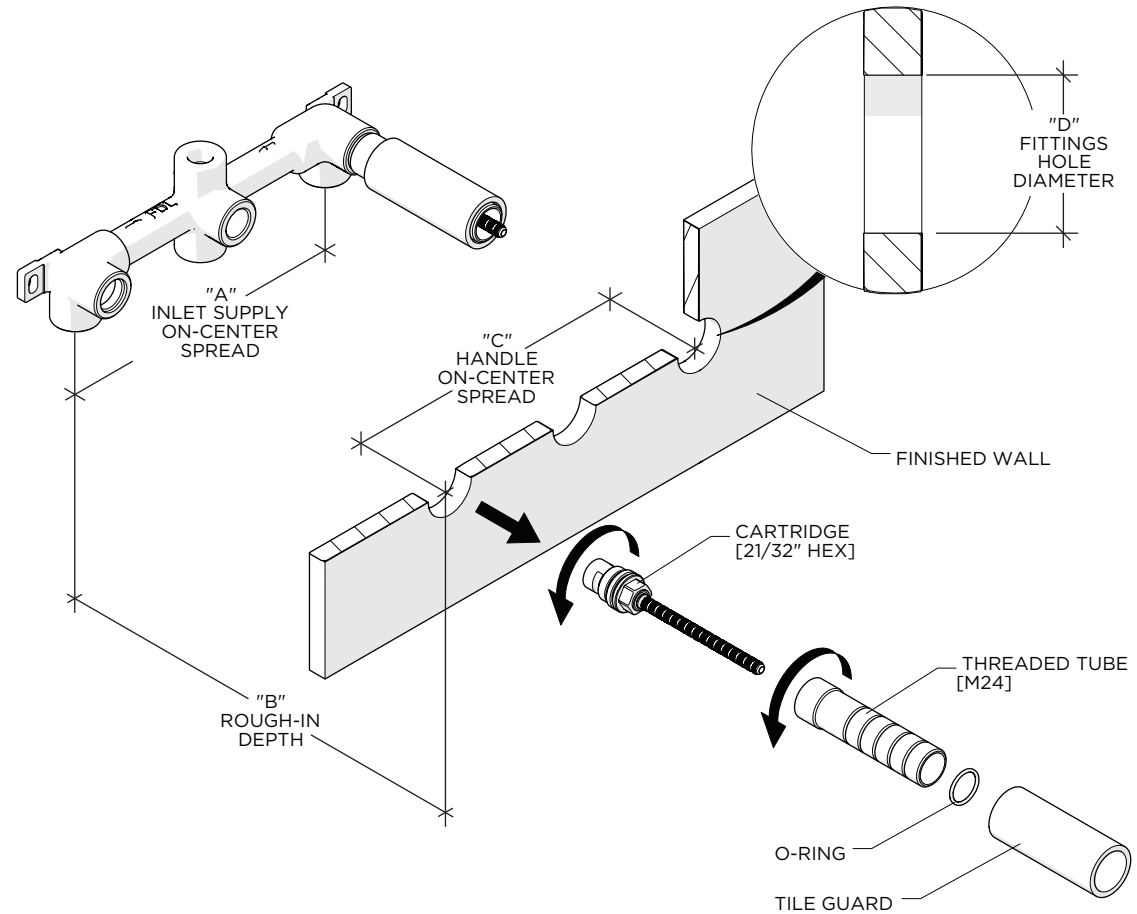
## LAVATORY FAUCET

### REQUIRED PLUMBING DETAILS:

- Universal Lavatory Wall Mounted Rough Valve (Used with Lever Handle Faucets) or, **STYLE No. GULV25, GU25LV**
- Universal Lavatory Wall Mounted Rough Valve (Used with Wheel Handle Faucets) **STYLE No. GULV27, GU27LV**

### ROUGH-IN AND VALVE PREPARATION:

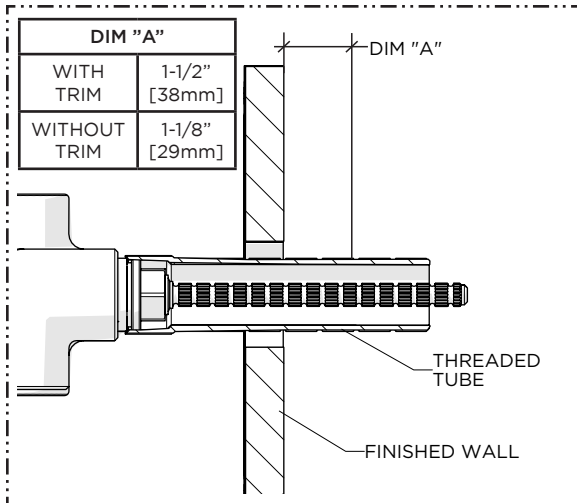
- **Refer to the Installation Guidelines provided with the VALVE for complete rough-in installation details and related information.**
- Remove and discard the TILE GUARDS only when the finished wall surface (TILE or SLAB) is completed and the FAUCET is ready to be installed.
- **CAUTION:**
  - Mark and remove the **THREADED TUBES** **before** cutting. Do **NOT** cut the end with the internal threads.
  - Mark and remove the **CARTRIDGES** using a 21/32" [17mm] shower valve socket wrench (not provided) **before** cutting.
- **ROUGH-IN DEPTH**
  - The rough-in depth is measured from the centerline of the inlets to the surface of the finished wall and must be between,
    - ▶ **WITH PLATE:** 1-9/16" [40mm] **MIN** - 3-9/16" [90 mm] **MAX**
    - ▶ **WITHOUT PLATE:** 2" [51mm] **MIN** - 4" [102mm] **MAX**
- **ROUGH-IN HEIGHT**
  - The rough-in height must allow for a **MINIMUM** of 1-1/2" [38mm] air gap between the end of the SPOUT and the flood level rim of the SINK or FIXTURE the SPOUT is being installed over.
  - The rough-in height must provide the **HANDLES** enough clearance to fully open. This will vary depending on the TRIM being used and the VALVE orientation.



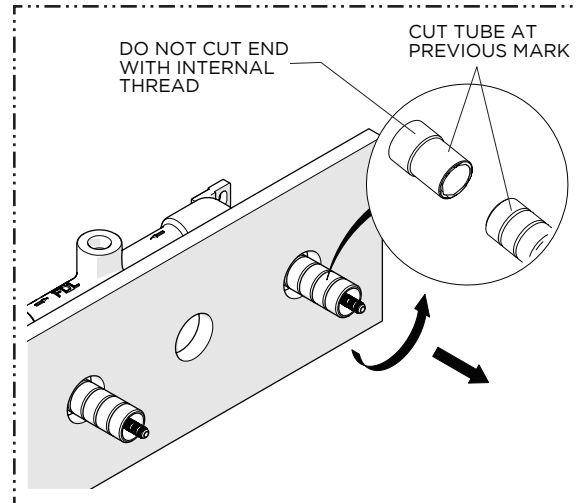
DIMENSION		VALUE
A		8" [203mm] <b>NOT ADJUSTABLE</b>
B	WITH PLATE	1-9/16" [40mm] <b>MIN</b> - 3-9/16" [90 mm] <b>MAX</b>
	WITHOUT PLATE	2" [51mm] <b>MIN</b> - 4" [102mm] <b>MAX</b>
C		8" [203mm] <b>NOT ADJUSTABLE</b>
D		Ø1-3/8" [35mm]

# INSTALLATION GUIDELINES

## LAVATORY FAUCET

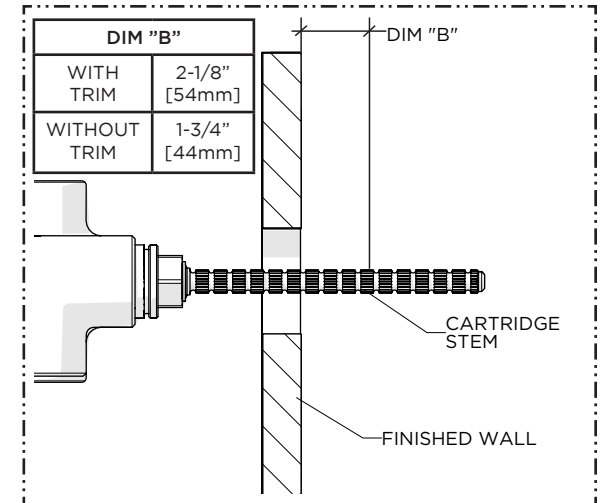


1. Remove the TILE GUARDS when ready to install the TRIM then mark the THREADED TUBE in front of the finished wall at the length listed.

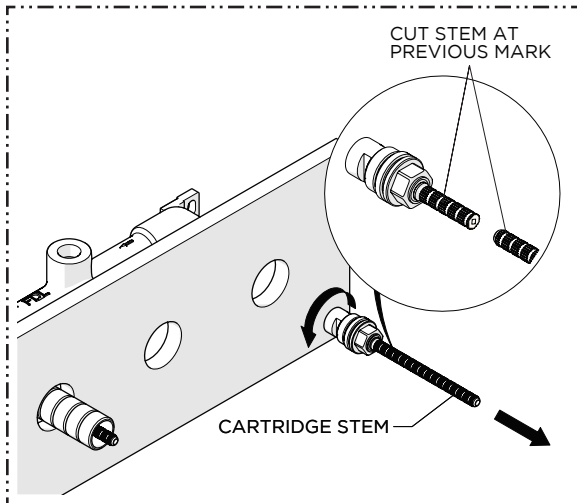


2. Remove the THREADED TUBE then cut the TUBE at the previous mark.

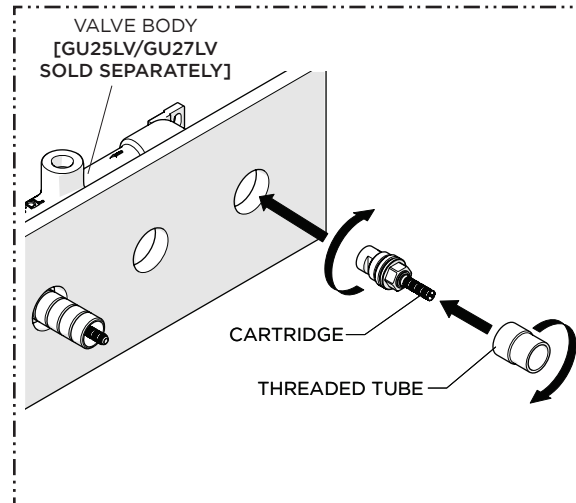
**CAUTION:** Do NOT cut the end with the internal threads.



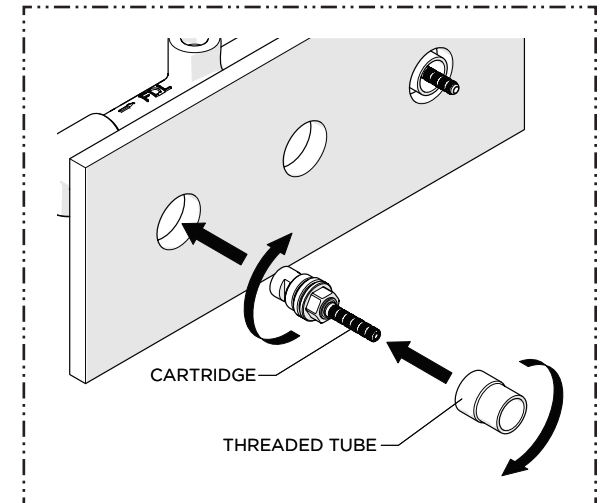
3. Mark the CARTRIDGE STEM in front of the finished wall at the length listed.



4. Remove the CARTRIDGE using a 21/32" [17mm] shower valve socket wrench (not provided) then cut the STEM at the previous mark.



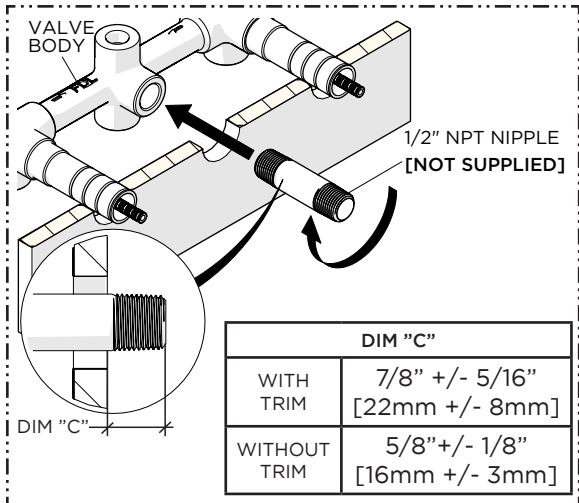
5. Thread and securely tighten the CARTRIDGE back into the VALVE then thread the THREADED TUBE back onto the CARTRIDGE.



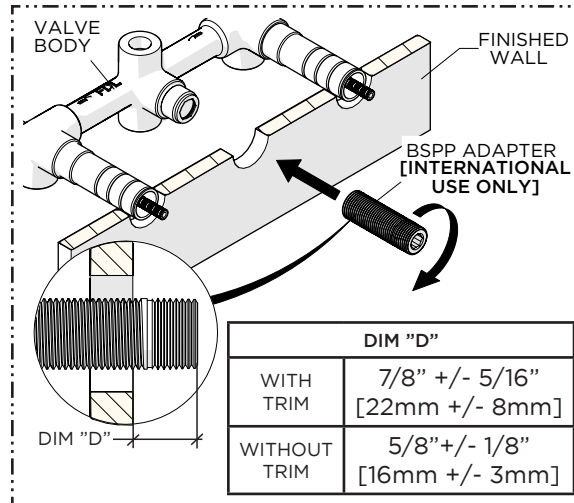
6. Repeat steps 1 through 5 to install the other HANDLE.

# INSTALLATION GUIDELINES

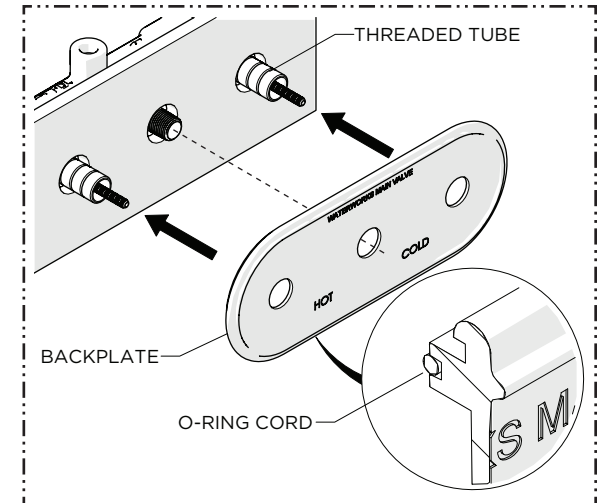
## LAVATORY FAUCET



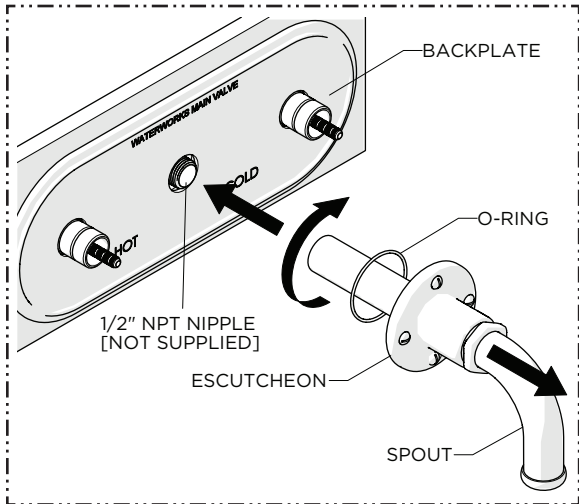
7. Thread a 1/2" NPT x 1/2" NPT NIPPLE (not supplied) of appropriate length into the VALVE and ensure the front face of the NIPPLE is in front the finished wall at the length listed.



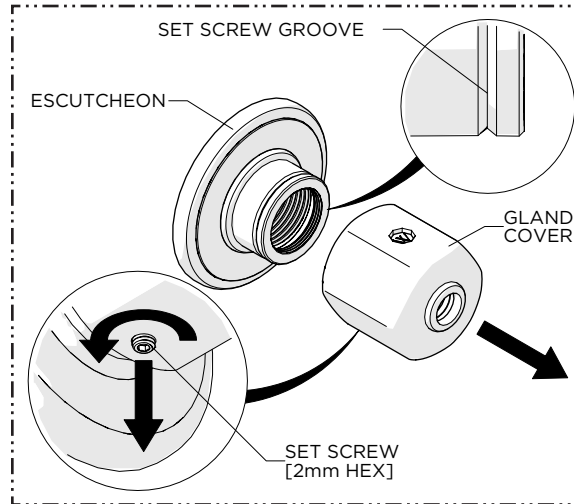
**FOR INTERNATIONAL INSTALLATIONS ONLY:**  
8. Thread and securely tighten the BSPP ADAPTER into the VALVE and ensure the front face of the ADAPTER is in front the finished wall at the length listed.  
**NOTE:** The BSPP end of the ADAPTER may be field cut.



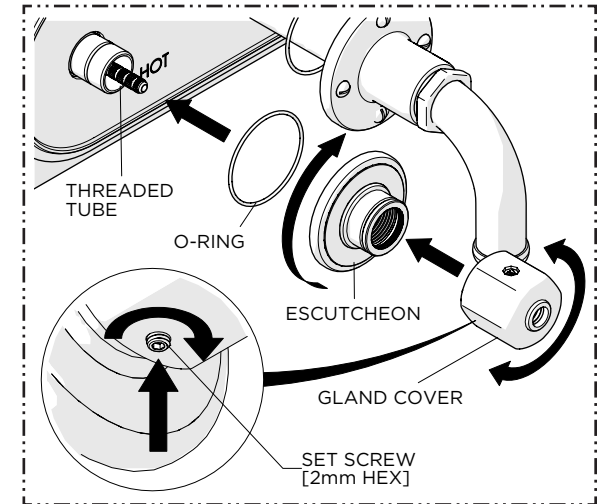
9. Slide the BACKPLATE over the THREADED TUBES making sure the O-RING CORD is secured properly.  
**NOTE:** If desired, a bead of caulk or a clear silicone may be applied where the BACKPLATE contacts the finished wall.



10. Slide the ESCUTCHEON and O-RING up the SPOUT then, while holding the BACKPLATE against the finished wall, thread and securely tighten the SPOUT onto the NIPPLE.



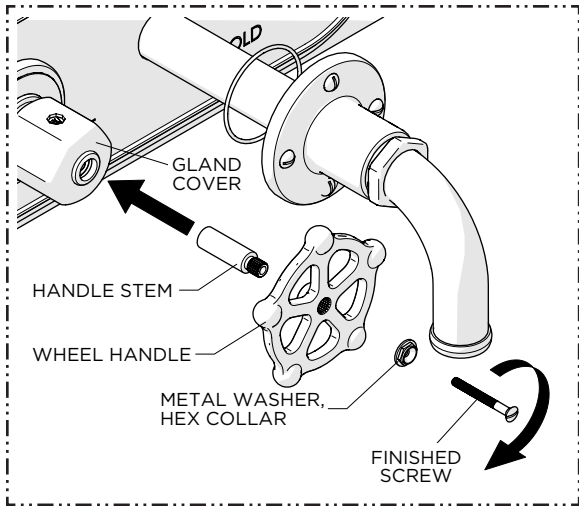
11. Loosen, but do NOT remove, the SET SCREW on the backside of the GLAND COVER using a 5/64" [2mm] HEX KEY then remove the GLAND COVER.  
**IMPORTANT:** The GLAND COVER can rotate to ensure it is in the desired orientation. Do NOT use the GLAND COVER as leverage to install the ESCUTCHEON.



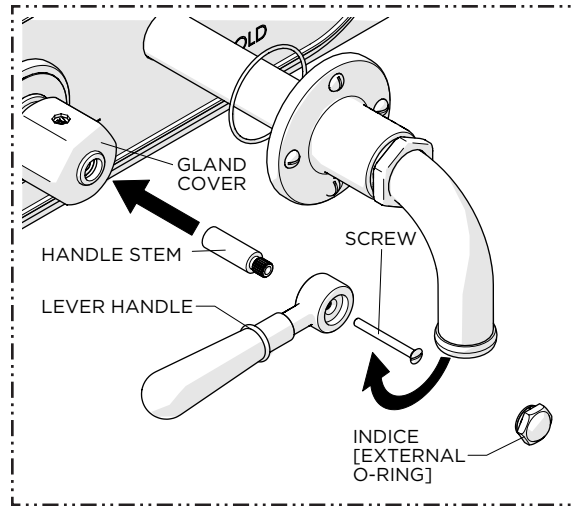
12. Thread and securely tighten the ESCUTCHEON onto the THREADED TUBE making sure to use the O-RING provided. Push the GLAND COVER onto the ESCUTCHEON until it is fully seated then rotate it to the desired orientation and securely tighten the SET SCREW.

# INSTALLATION GUIDELINES

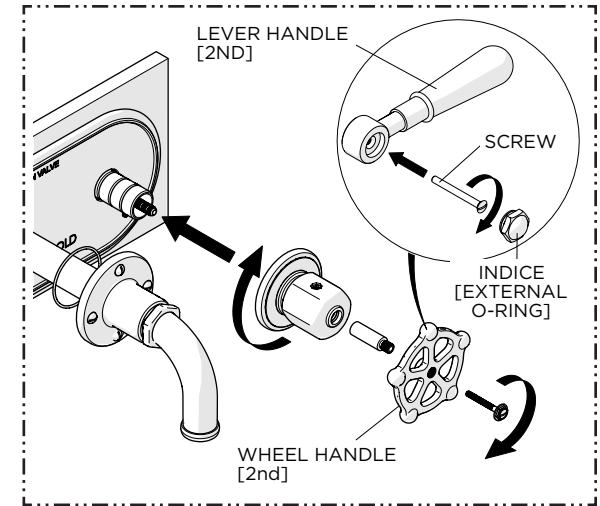
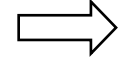
## LAVATORY FAUCET



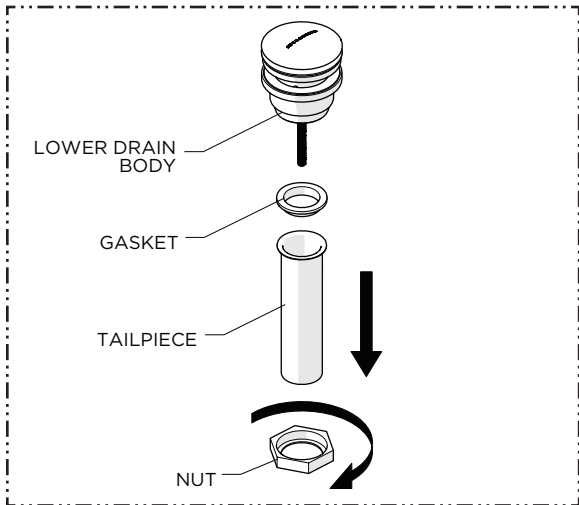
13. **RGLS60/61/62/63 ONLY:** Insert the HANDLE STEM into the GLAND COVER, place the WHEEL HANDLE onto the STEM in the desired orientation then thread and securely tighten the SCREW making sure to include the METAL WASHER and HEX COLLAR.



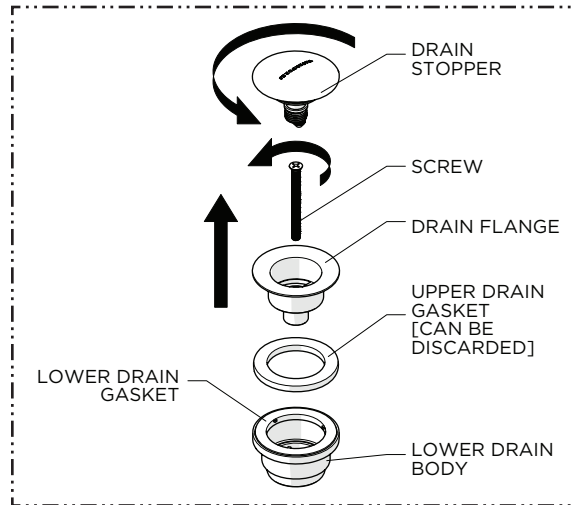
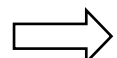
14. **RGLS70/71/72/73 ONLY:** Insert the HANDLE STEM into the GLAND COVER, place the LEVER HANDLE onto the STEM in the desired orientation, thread and securely tighten the SCREW then insert the INDICE into the HANDLE.



15. Repeat steps 11 - 14 to install the second [2nd] WHEEL or LEVER HANDLE.

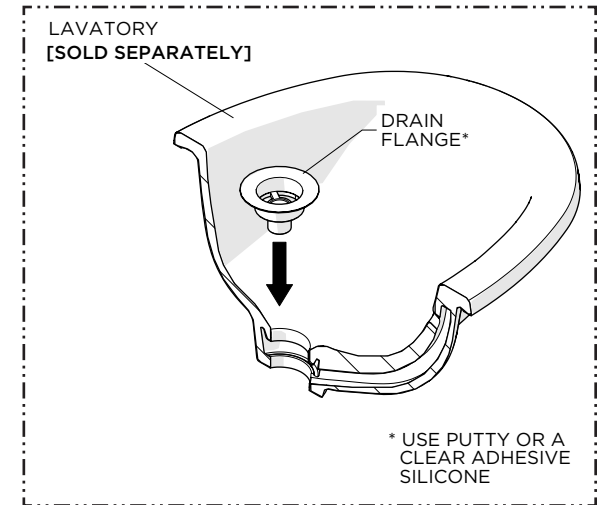
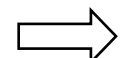


16. Unthread and remove the NUT, TAILPIECE, and GASKET from the LOWER DRAIN BODY.



17. Remove the DRAIN STOPPER from the DRAIN FLANGE then unthread the SCREW from the LOWER DRAIN BODY.

NOTE: Do **NOT** remove or discard the LOWER DRAIN GASKET.

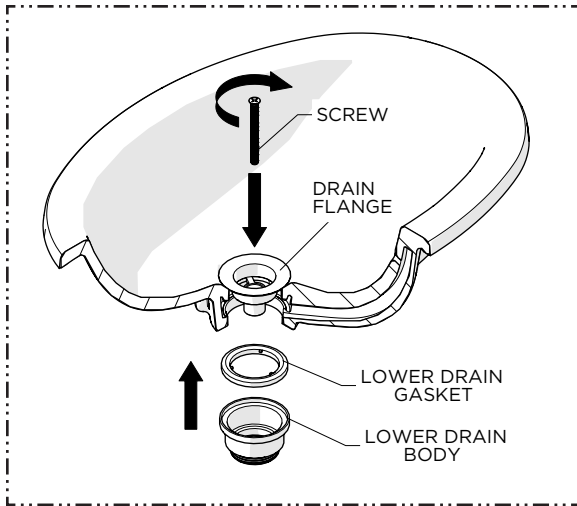


18. Set the DRAIN FLANGE into the LAVATORY (sold separately) using putty or a clear silicone.

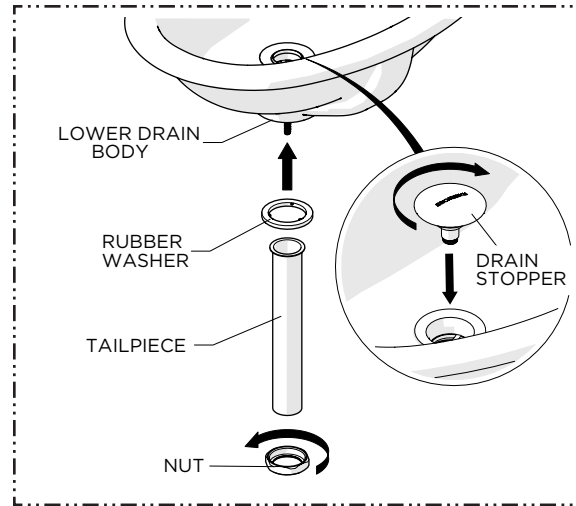
NOTE: DRAIN can be installed on LAVATORIES with and without an overflow.

# INSTALLATION GUIDELINES

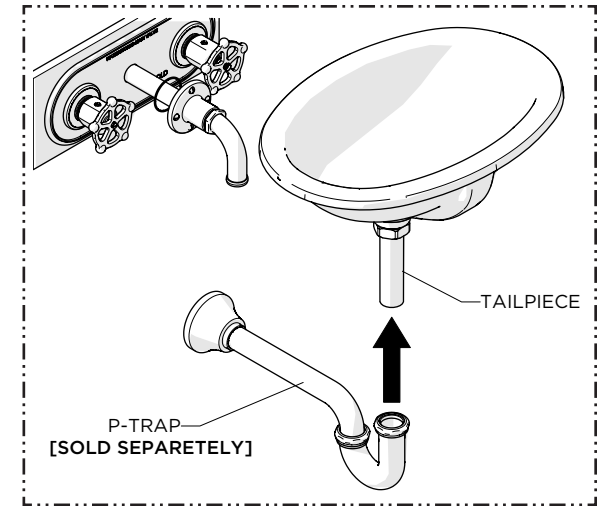
## LAVATORY FAUCET



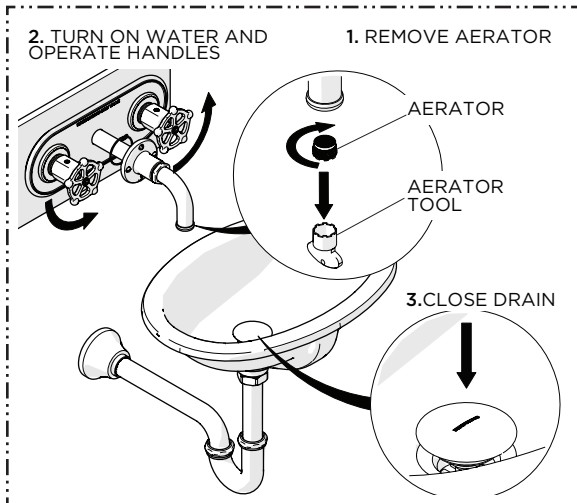
19. Insert the SCREW provided into the FLANGE then thread and securely tighten the SCREW into the LOWER DRAIN BODY making sure the LOWER DRAIN GASKET makes a full seal on the underside of the LAVATORY.



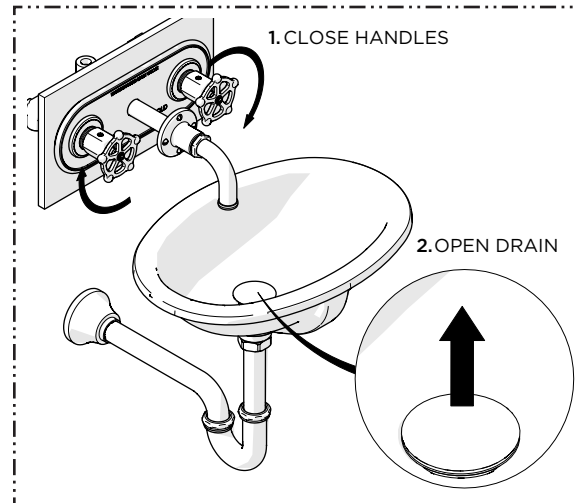
20. Re-install the DRAIN STOPPER and TAILPIECE using the GASKET and NUT provided.



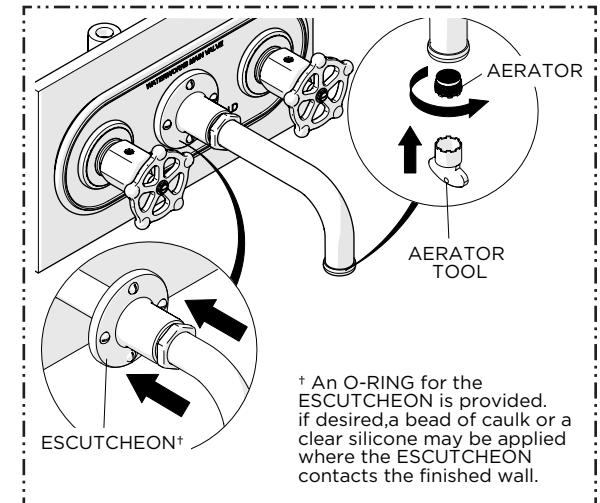
21. Make final P-TRAP (sold separately) connections.



22. Remove the AERATOR, turn on the water to flush out the supply lines, and inspect all connections for leaks. Close the DRAIN to ensure it functions properly.



23. Close the HANDLES and open the DRAIN to make sure the water drains properly.



† An O-RING for the ESCUTCHEON is provided. if desired, a bead of caulk or a clear silicone may be applied where the ESCUTCHEON contacts the finished wall.

24. Slide the ESCUTCHEON down the SPOUT until it contacts the finished wall then re-install the AERATOR and finish the installation.

**NOTE:** The SCREWS on the ESCUTCHEON are aesthetic only.