

HENRY

Henry 1 1/4" Knob

HNHW01



SHOWN IN HENRY 1 1/4" KNOB | HNHW01

TECHNICAL DETAILS

Primary Material: Brass

INSPIRATION

Influenced by the connection of industry and art Henry easily transitions between modern, traditional, utilitarian and classic settings.

PRODUCT FEATURES

Match to Henry fittings and accessories

Hexagon shapes in knobs and pulls with exposed screws

Solid brass

Made in the USA

Includes per fixing: 8-32 Truss Head Machine Screw-Combo-Slotted

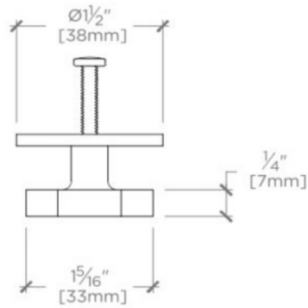
WATERWORKS

HENRY

Henry 1 1/4" Knob

HNHW01

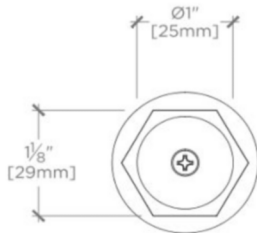
MOUNTING HARDWARE INCLUDED		
STYLE #	DESCRIPTION	QTY
998945	Service Parts 8-32 1" Truss Head Machine Screw, Combo, Slotted	1
998946	Service Parts 8-32 1/2" Truss Head Machine Screw, Combo, Slotted	1



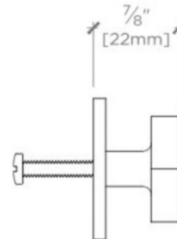
TOP VIEW SCALE: 6"=1'-0"



ISO VIEW SCALE: 6"=1'-0"



FRONT VIEW SCALE: 6"=1'-0"



SIDE VIEW SCALE: 6"=1'-0"