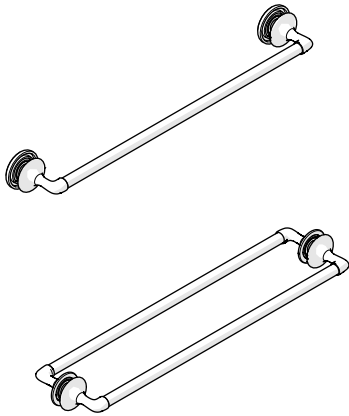


INSTALLATION GUIDELINES

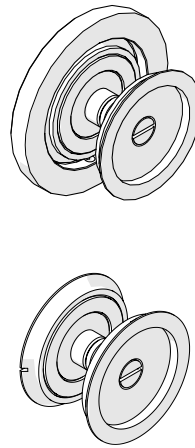
GLASS MOUNTED TOWEL BAR

RIVERUN 24" SINGLE OR DOUBLE SIDED GLASS MOUNTED TOWEL BAR



STYLES	
RR24G1 [SHOWN]	RR24G2 [SHOWN]

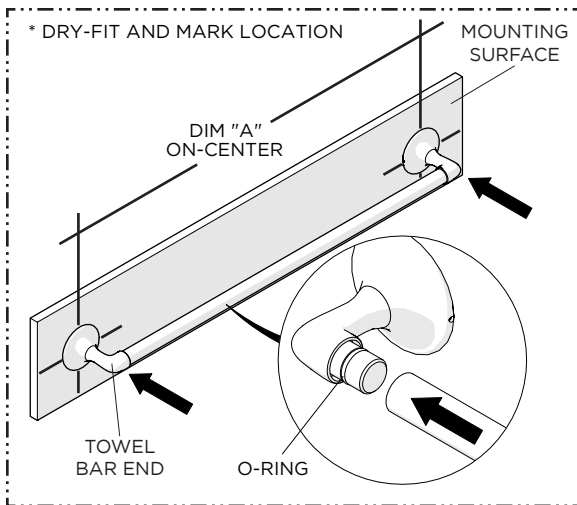
SINGLE OR DOUBLE SIDED GLASS MOUNTED ADAPTER



STYLES	
100705	100726

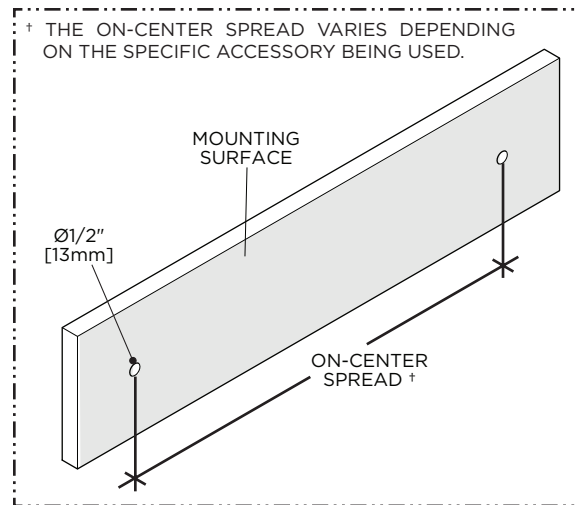
IMPORTANT:

- To ensure this product is installed properly, you must read and follow these guidelines.
- The owner/user of this product must keep this information for future reference.
- This product must be installed by a professional licensed contractor.
- Inspect this product to ensure you have all the parts required for proper installation.
- DRYWALL ANCHORS for a typical drywall installation are provided. Do **NOT** use the ANCHORS if mounting directly onto wood blocking or a stud.
- If further assistance is required, please contact Product Support at 1-800-927-2120 Monday through Friday, 8am - 6pm EST.
- Refer to the separate Service Parts Documents for available replacement parts.

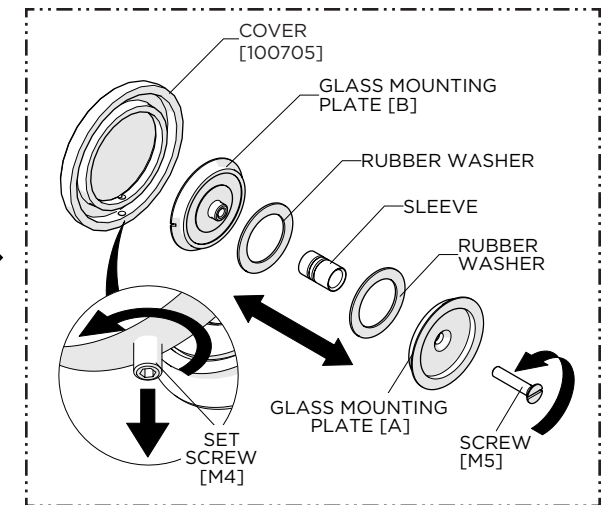


1. Ensure the TOWEL BAR is fully seated into the TOWEL BAR ENDS then dry-fit the assembly to the MOUNTING SURFACE and mark the ideal location making sure to hold the BAR level.

NOTE: The BAR may be field cut.



2. Ensure any pre-drilled hole is a 1/2" [13mm]. For ACCESSORIES with 2 mounting holes, ensure the holes are level and at the proper on-center spread.

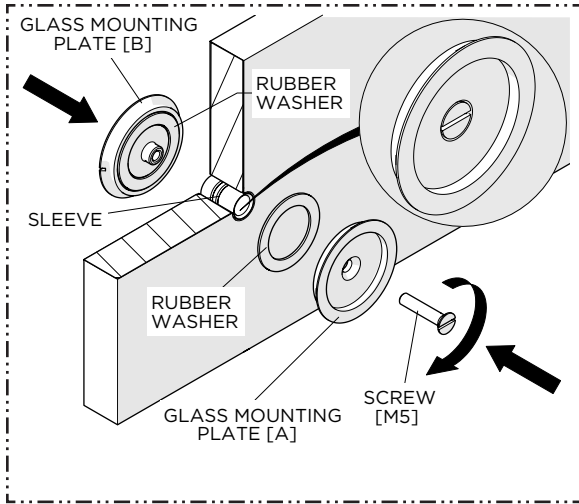


3. Disassemble the ADAPTER components by unthreading the SCREW on the GLASS MOUNTING PLATE [A].

NOTE: Remove the COVER used on style number 100705 by loosening the SET SCREW.

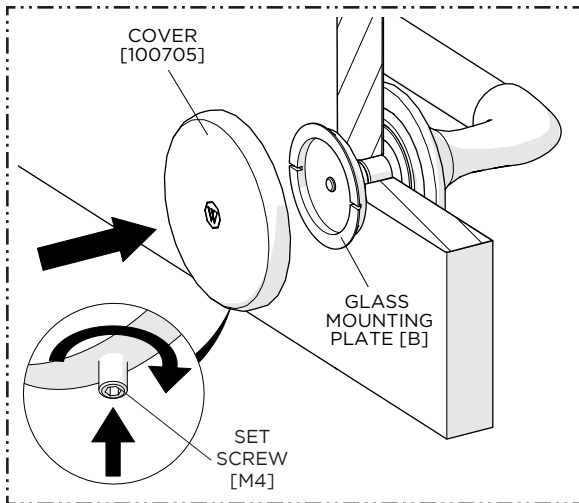
INSTALLATION GUIDELINES

GLASS MOUNTED TOWEL BAR



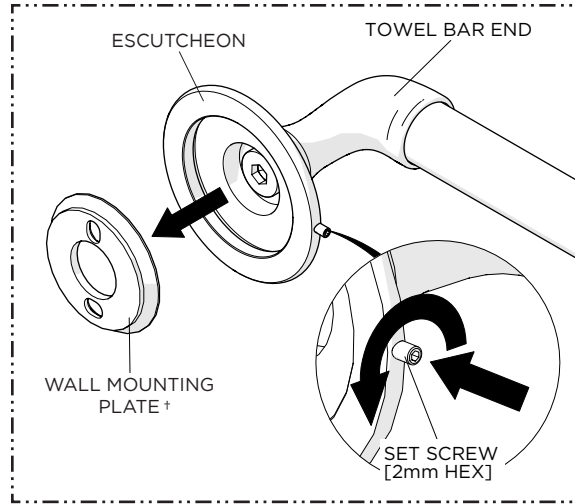
4. Insert the SLEEVE into the pre-drilled hole, then reassemble the GLASS MOUNTING PLATES using the provided SCREW and RUBBER WASHERS.

NOTE: The SLEEVE can be cut and two SCREWS [M5] are provided to accommodate different glass thicknesses.



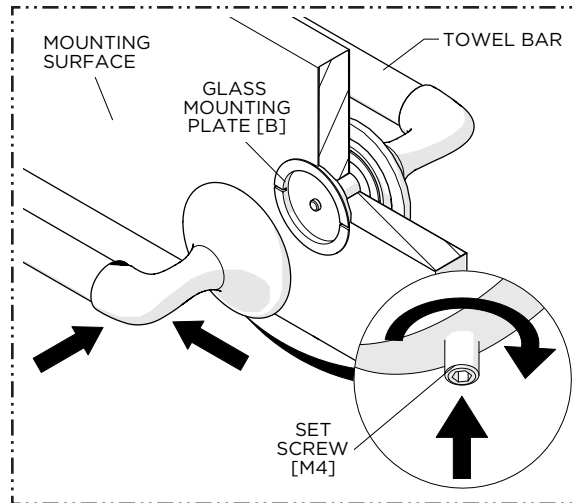
FOR STYLE No. RR24G1 ONLY:

7. With proper orientation, reattach the COVER using the SET SCREW.



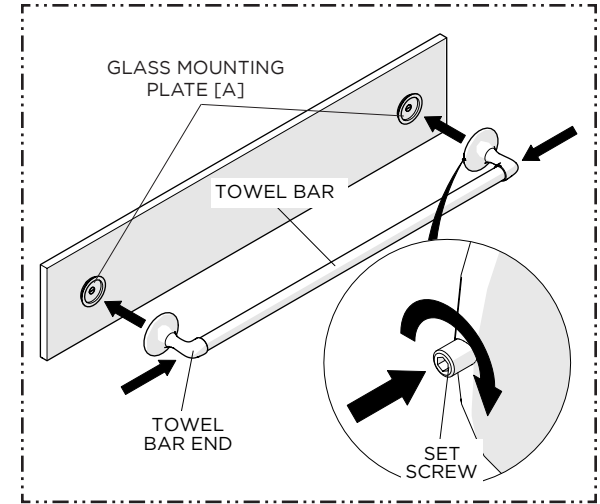
5. Loosen, but do **NOT** remove, the SET SCREWS on each side of the TOWEL BAR ESCUTCHEONS.

† **NOTE:** Replace the WALL MOUNTING PLATE with the GLASS ADAPTER MOUNTING PLATE.



FOR STYLE No. RR24G2 ONLY:

8. Repeat Step 5 and 6 for installing the TOWEL BAR on the other side.



6. While holding the ENDS and BAR together, place the ESCUTCHEONS onto the GLASS MOUNTING PLATES [A] making sure they are fully seated, securely tighten the SET SCREWS using 1/16" [1.5mm] HEX key.