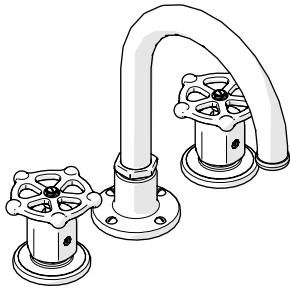


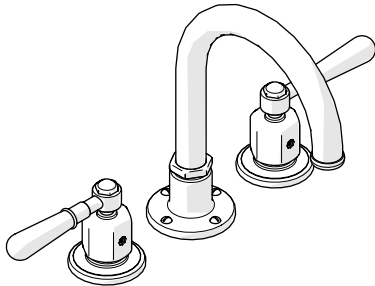
INSTALLATION GUIDELINES

LAVATORY FAUCET

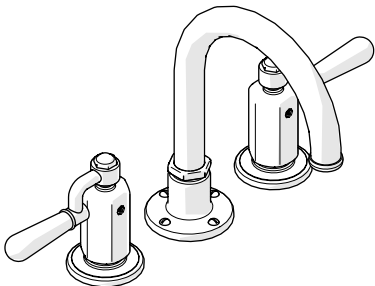
REGULATOR GOOSENECK LAVATORY FAUCET



STYLES	
RGLS01	RGLS02 [SHOWN]



STYLES	
RGLS10	RGLS11 [SHOWN]



STYLES	
RGLS15	RGLS16 [SHOWN]

IMPORTANT:

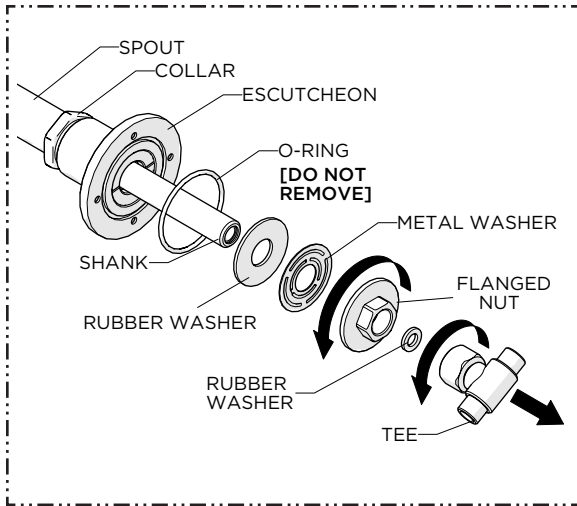
- To ensure this product is installed properly, you must read and follow these guidelines.
- The owner/user of this product must keep this information for future reference.
- This product must be installed by a professional licensed contractor.
- Be sure your installation conforms to all federal, state, and local codes. In the State of Massachusetts, all installations must comply with the rules and regulations set forth within 248 CMR.
- Inspect this product to ensure it is the correct model and you have all the parts required for proper installation. Product is sold partially assembled but shown fully disassembled for illustrative and service purposes only.
- Use only a strap wrench or protected/smooth-jaw wrench on any finished surface.
- The use of certain plumber's putty may stain stone or tile surfaces.
- If further assistance is required, please contact Product Support at 1-800-927-2120 Monday through Friday, 8am - 6pm EST.
- Refer to the separate Service Parts Documents for available replacement parts.

TECHNICAL DETAILS:

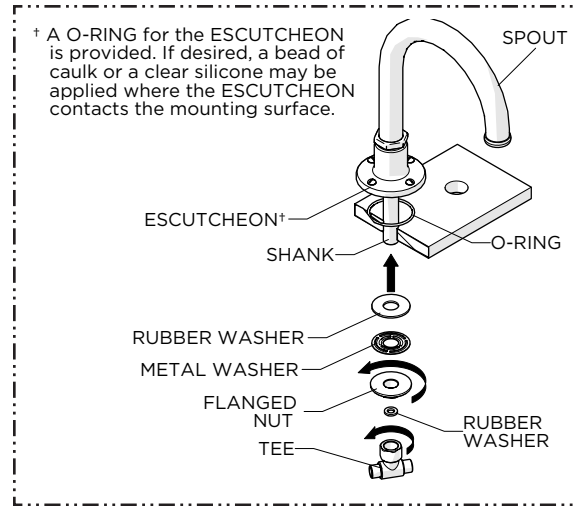
DETAIL	SPECIFICATION
DECK THICKNESS	1-3/8" [35mm] MAX
DRAIN DEPTH	3/8" [10mm] MIN 2" [51mm] MAX
DRAIN HOLE DIAMETER	Ø1-1/2" [38mm]
DRAIN STYLE	PUSH TOUCH
FITTING HOLE DIAMETER	Ø1-3/8" [35mm]
HANDLE SPREAD	8" [203mm] MIN 12" [305mm] MAX
HANDLE TURN ANGLE	QUARTER TURN
INLET CONNECTION	1/2" MALE WITH SUPPLY NUT
SPOUT REACH	6-1/2" [165mm]
WATER PRESSURE RANGE	20psi [1.5 bar] MIN 85psi [6.0 bar] MAX
WATER PRESSURE RECOMMENDED	45psi [3.0 bar]

INSTALLATION GUIDELINES

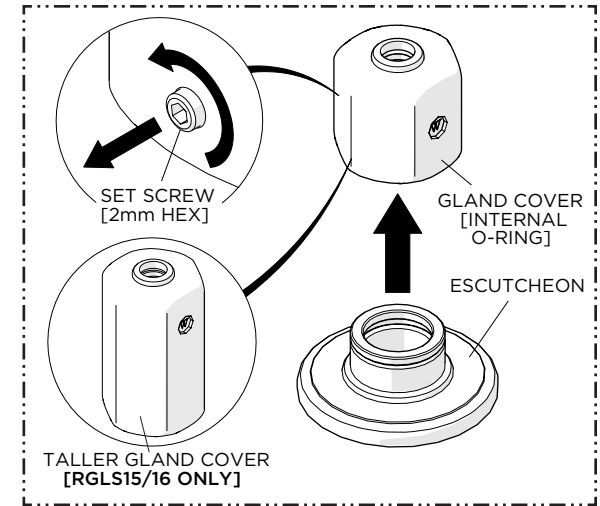
LAVATORY FAUCET



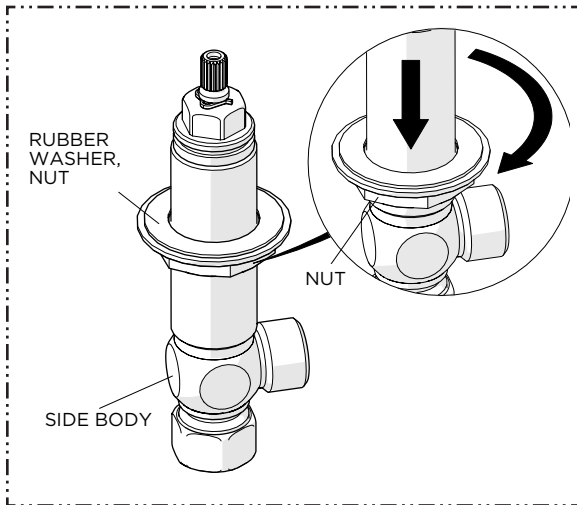
1. Remove the TEE, NUT and lower deck WASHERS from the SPOUT SHANK. Do NOT remove the O-RING from the ESCUTHEON.



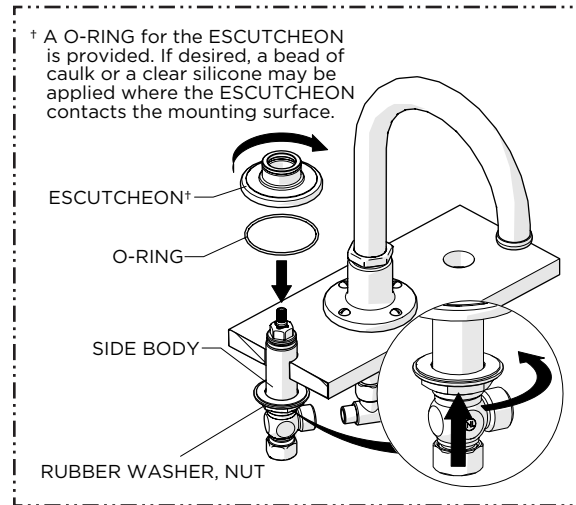
2. Insert the SHANK through the hole on the mounting surface and re-attach the WASHERS, NUT, and TEE. Securely tighten the NUT and TEE.



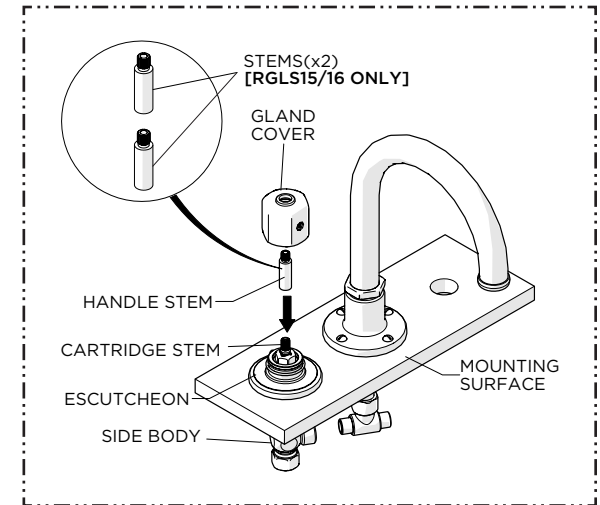
3. Unthread, but do not fully remove the SET SCREW, then detach the GLAND COVER from the ESCUTHEON.



4. Fully thread the NUT down the SIDE BODY.
NOTE: Do NOT remove the LOWER DECK WASHER.



5. Thread the ESCUTHEON back onto the SIDE BODY until snug, and let it rest on the mounting surface. Hand-tighten the NUT against the underside of the mounting surface.

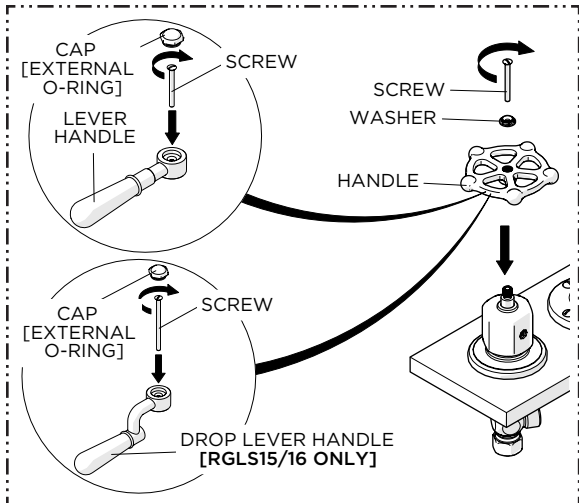


6. Place the HANDLE STEM on the VALVE STEM, then place the GLAND COVER onto the ESCUTHEON, making sure it is fully seated. Do NOT tighten the SET SCREW at this time.

NOTE: RGLS15/RGLS16 require two HANDLE STEMS.

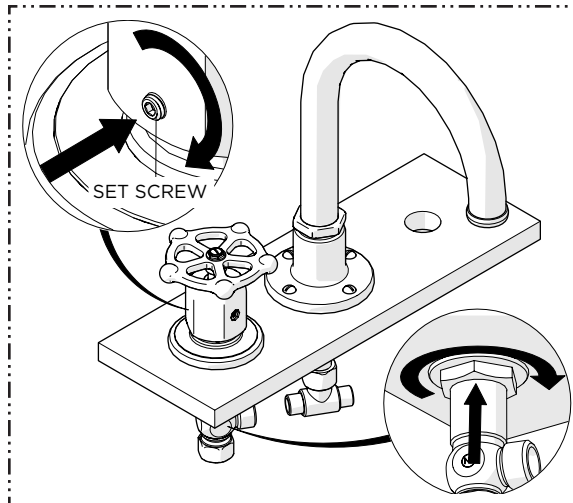
INSTALLATION GUIDELINES

LAVATORY FAUCET

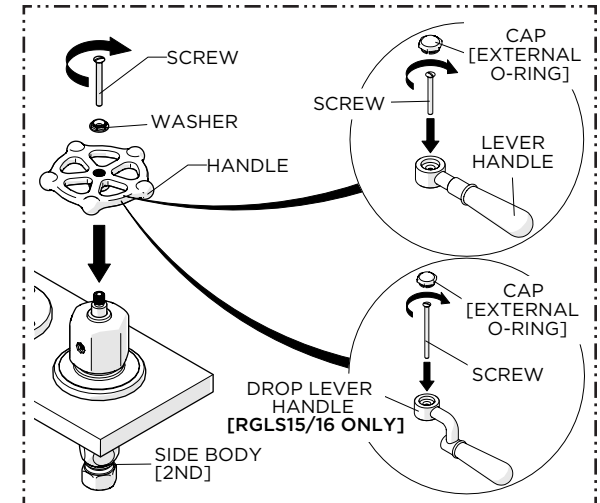


7. Place the HANDLE onto the HANDLE STEM in the desired orientation and secure with the SCREW provided.

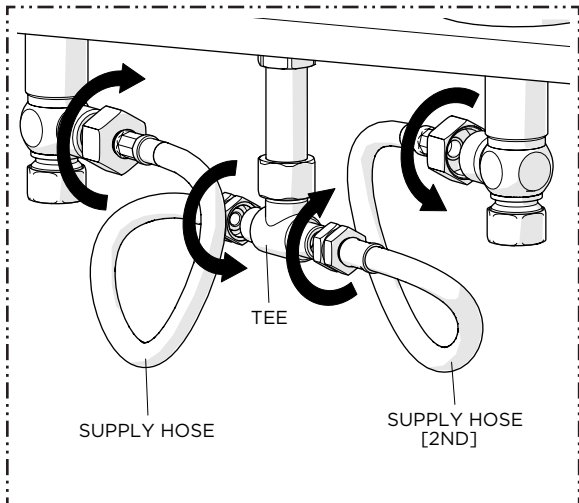
NOTE: WHEEL HANDLES have a finished WASHER and LEVER HANDLES have a CAP to conceal the SCREW.



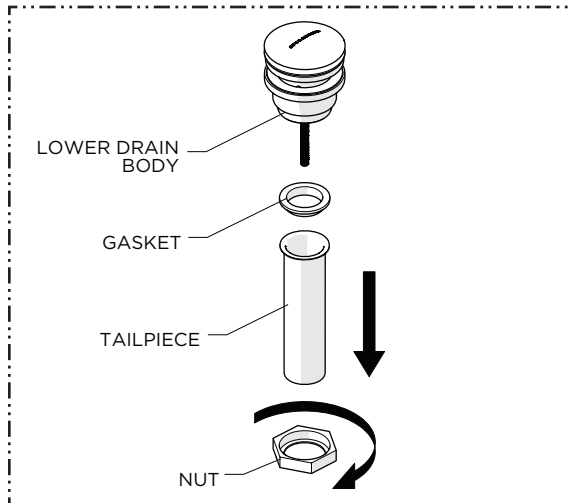
8. Ensure the HANDLE is in the desired orientation then securely tighten the NUT on the SIDE BODY. Align the GLAND COVER as shown then securely tighten the SET SCREW.



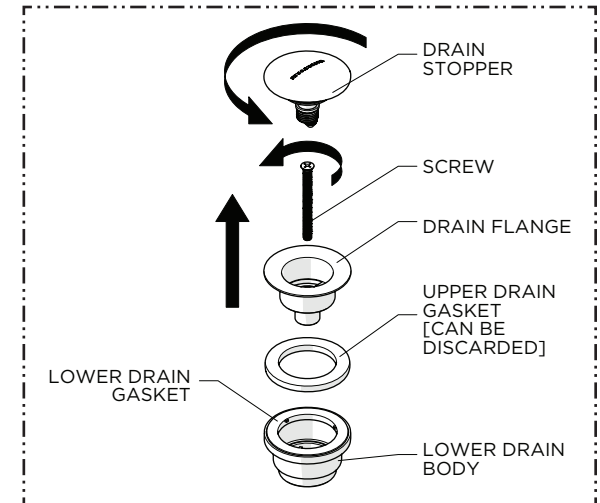
9. Repeat steps 3 through 8 to install the other HANDLE.



10. Connect the SIDE BODIES to the TEE using the SUPPLY HOSES provided. Securely tighten the HOSES and ensure they are not pinched/kinked.



11. Unthread and remove the NUT, TAILPIECE, and GASKET from the LOWER DRAIN BODY.

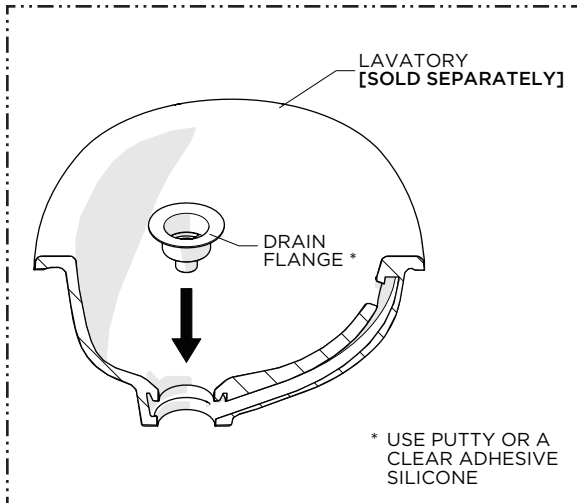


12. Remove the DRAIN STOPPER from the DRAIN FLANGE then unthread the SCREW from the LOWER DRAIN BODY.

NOTE: Do NOT remove or discard the LOWER DRAIN GASKET.

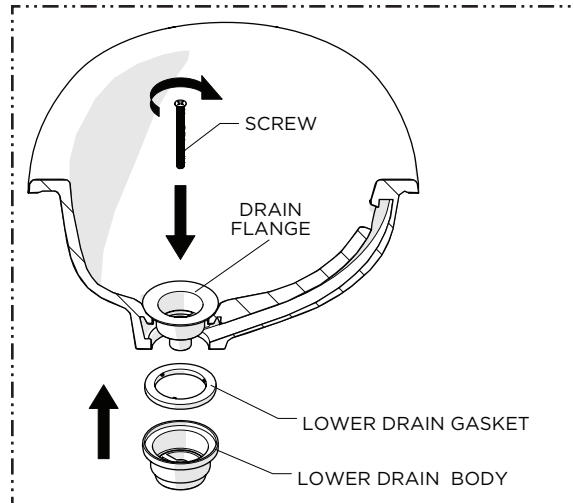
INSTALLATION GUIDELINES

LAVATORY FAUCET

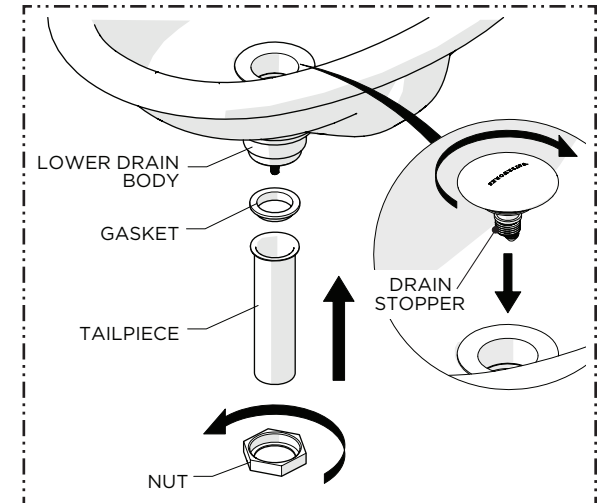


13. Set the DRAIN FLANGE into the LAVATORY (sold separately) using putty or a clear silicone.

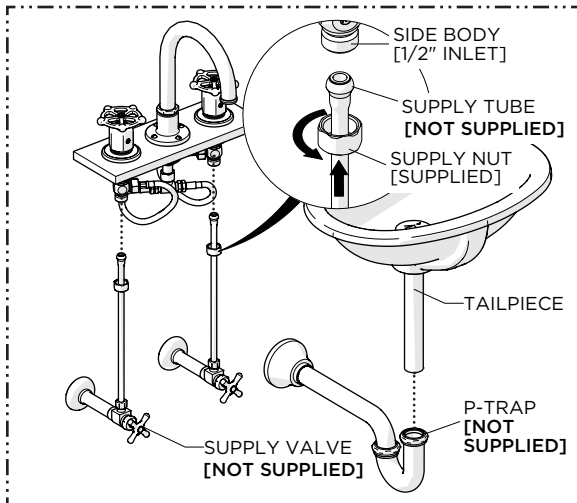
NOTE: DRAIN can be installed on LAVATORIES with and without an overflow.



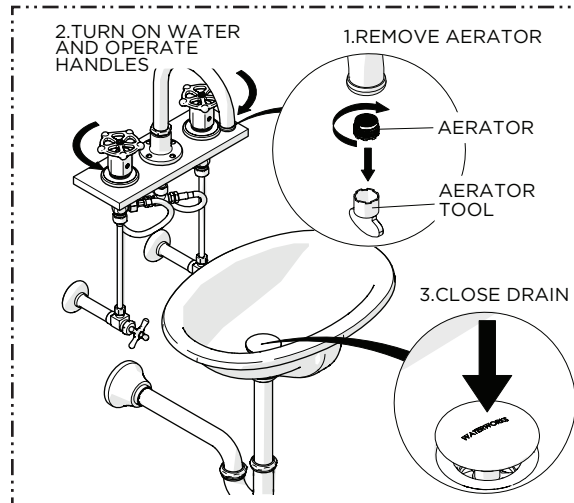
14. Insert the SCREW provided into the FLANGE then thread and securely tighten the SCREW into the LOWER DRAIN BODY making sure the LOWER DRAIN GASKET makes a full seal on the underside of the LAVATORY.



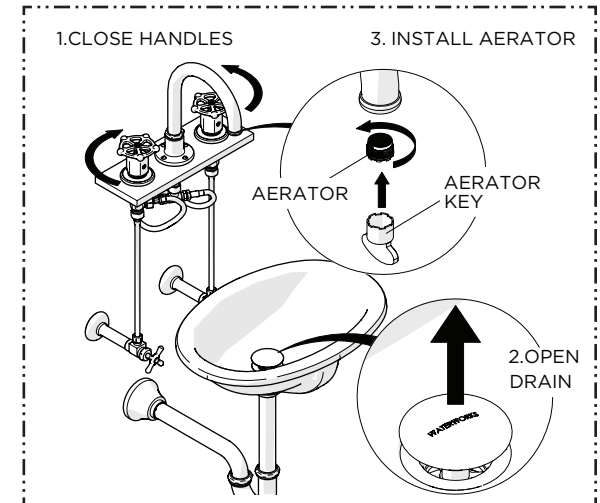
15. Re-install the DRAIN STOPPER and TAILPIECE using the GASKET and NUT provided.



16. Make final P-TRAP (sold separately) and SUPPLY VALVE (sold separately) connections.



17. Remove the AERATOR, turn on the water supply and open the HANDLES to flush out the supply lines, and inspect all connections for leaks then close the DRAIN to ensure it functions properly.



18. Close the HANDLES, open the DRAIN to drain the water, and re-install the AERATOR.