

Riverun

RRS388

Riverun 8" Rain Showerhead with 18" Wall Mounted 90 Degree Shower Arm



SHOWN IN RIVERUN 8" RAIN SHOWERHEAD WITH 18" WALL MOUNTED 90 DEGREE SHOWER ARM | RRS388

TECHNICAL DETAILS

Adjustable Versus Fixed Spray: Fixed
Fittings Hole Diameter: 32 mm
Flow Restriction Options: 1.5, 1.75, 2.0
Inlet Connection Size: 1/2"
Inlet Connection Type: Male NPT
Pivot: Y
Primary Material: Brass
Restricted Maximum Flow Rate: 6.6 liters/min
Water Pressure Maximum: 6.0 bar
Water Pressure Minimum: 1.5 bar
Water Pressure Recommended: 3.0 bar

INSPIRATION

This new American classic was designed with simplicity in mind. Featuring streamlined forms and honest details, it's the epitome of quiet elegance.

CODES & STANDARDS

RRS388X, ASME A112.18.1/CSA B125.1, CEC(1.5GPM & 1.75GPM Only), WaterSense(1.5GPM, 1.75GPM & 2.0GPM Only), DOE, State of MA

PRODUCT FEATURES

Made of Brass

Features a swivel 8" rain showerhead with easy clean rubber nozzles

Includes a 18" wall mounted 90 degree shower arm

Stocked in Brass, Chrome, Nickel and Matte Nickel

Rain showerhead available in 1.75gpm (6.6L/min) flow rate

CERTIFICATIONS

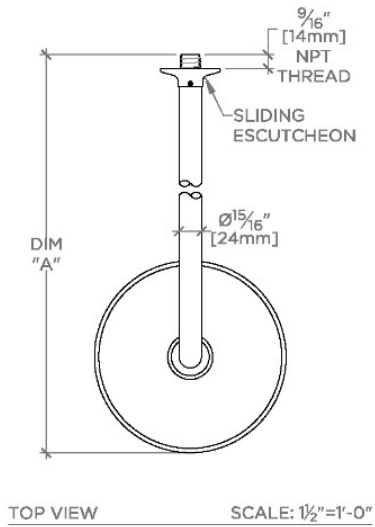


PRODUCT (NOTES)

Riverun

RRS388

Riverun 8" Rain Showerhead with 18" Wall Mounted 90 Degree Shower Arm



STYLE NO.	DIM "A"	DIM "B"
DSS387		
HGS387	16 ⁹ / ₁₆ " [421mm]	12 ⁹ / ₁₆ " [319mm]
RRS387		
DSS388		
HGS388	22 ⁹ / ₁₆ " [573mm]	18 ⁹ / ₁₆ " [472mm]
RRS388		

