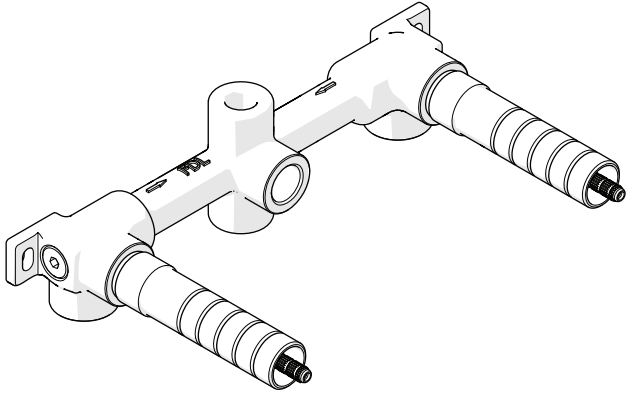


WATERWORKS

INSTALLATION GUIDELINES

STYLE No. GULV25, GU25LV, GULV27, GU27LV
ViaWorks 1/2" Lavatory Wall Mounted Valve



STYLE	DESCRIPTION
GULV25	ViaWorks 1/2" Lavatory Wall Mounted Valve (Used with Lever Handle Lavatory Faucet)
GU25LV†	
GULV27	ViaWorks 1/2" Lavatory Wall Mounted Valve (Used with Cross or Wheel Handle Lavatory Faucets)
GU27LV†	

TECHNICAL DETAILS:

DETAIL	SPECIFICATION
HANDLE TURN ANGLE	QUARTER TURN
INLET/OUTLET CONNECTION	1/2" FEMALE NPT †
WATER PRESSURE MAXIMUM	85psi [6.0 bar]
WATER PRESSURE MINIMUM	20psi [1.5 bar]
WATER PRESSURE RECOMMENDED	45psi [3.0 bar]

† Style No. **GU25LV** and **GU27LV** are provided with 3 **BSPP ADAPTERS**. ADAPTERS are packaged separately and assembly is required. Replacement ADAPTERS can be ordered separately.

- Universal 1/2" Male NPT x 1/2" Female BSPP Adapter
Style No. UNUK02

IMPORTANT:

- To ensure this VALVE is installed properly, you must read and follow these guidelines.
- The owner/user of this VALVE must keep this information for future reference.
- This VALVE and associated LAVATORY FAUCET (SOLD SEPARATELY) must be installed by a professional licensed contractor and must be onsite prior to rough-in. This allows the installer to visualize the installation and verify the 8" center spread.
- This VALVE is sold partially assembled but shown fully disassembled for illustrative and service purposes only. Inspect the VALVE to ensure you have all the parts required for proper installation.
- Check countertop and sink measurements to assure the FAUCET projects far enough into the sink.
- Be sure your installation conforms to all federal, state, and local codes. In the State of Massachusetts, all installations must comply with the rules and regulations set forth within 248 CMR.
- Use only a strap wrench or protected/smooth-jaw wrench on any finished surface.
- The use of certain plumber's putty may stain stone or tile surfaces.
- If further assistance is required, please contact Product Support at 1-800-927-2120 Monday through Friday, 8am - 6pm EST.
- Refer to the separate Service Parts Documents for available replacement parts.

WATERWORKS

INSTALLATION GUIDELINES

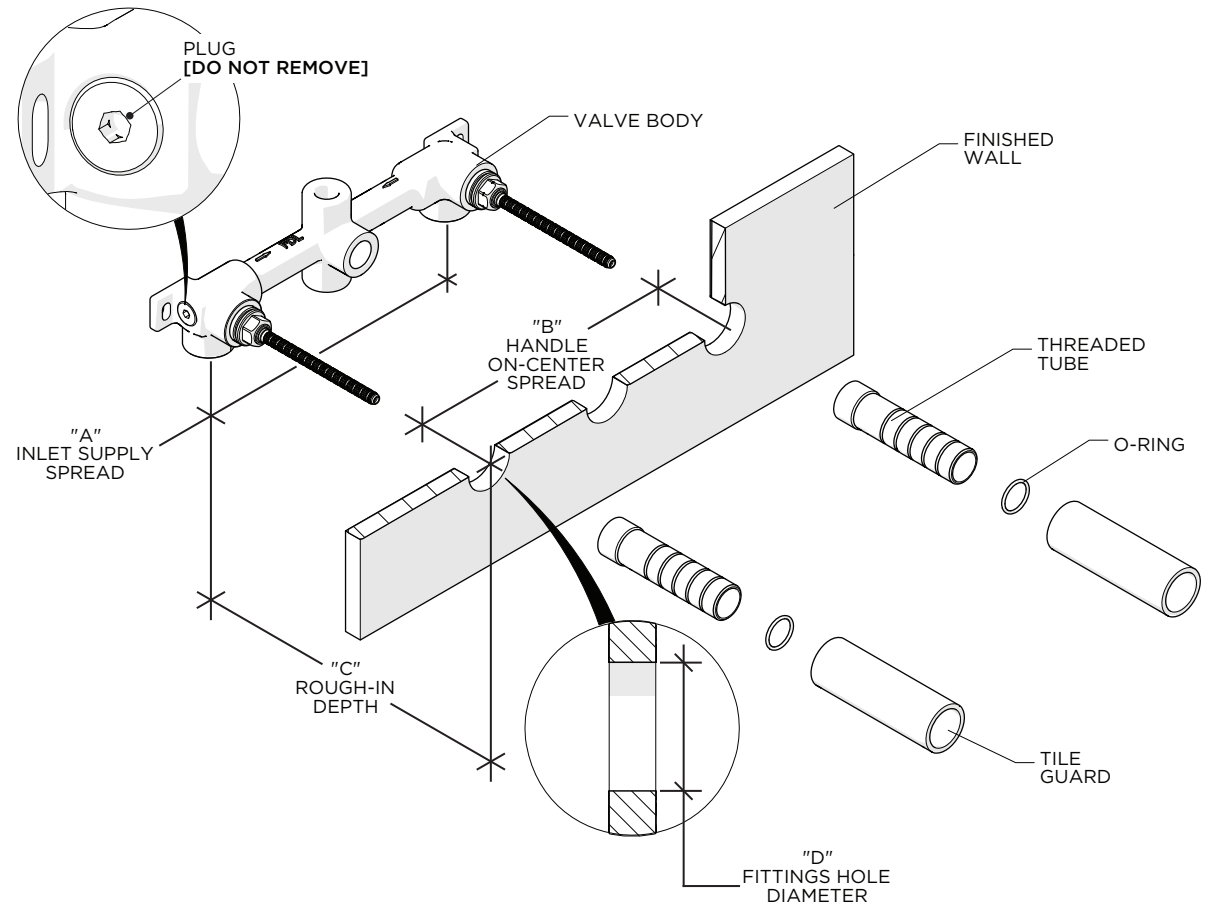
STYLE No. GULV25, GU25LV, GULV27, GU27LV

ViaWorks 1/2" Lavatory Wall Mounted Valve

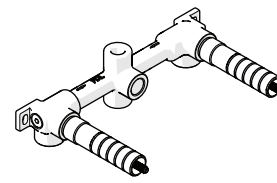
ROUGH-IN AND VALVE PREPARATION:

- **CAUTION: DO NOT APPLY DIRECT HEAT TO THE VALVE!**
- Run well supported 1/2" hot and cold copper supply lines.
- **WARNING: The inlet supply spread of this product is NOT ADJUSTABLE!**
- **ROUGH-IN DEPTH**
 - The rough-in depth is measured from the centerline of the inlets to the surface of the finished wall and **VARIES** depending on the TRIM (sold separately) being used.
 - Refer to the Installation Guidelines of the specific TRIM being used for the **MAXIMUM** and **MINIMUM** rough-in depth dimensions.
- **ROUGH-IN HEIGHT**
 - The rough-in height must allow for a **MINIMUM** of 1-1/2" [38mm] air gap between the end of the SPOUT and the flood level rim of the SINK or FIXTURE the SPOUT is being installed over.
 - The rough-in height must provide the **HANDLES** enough clearance to fully open. This will vary depending on the TRIM being used.

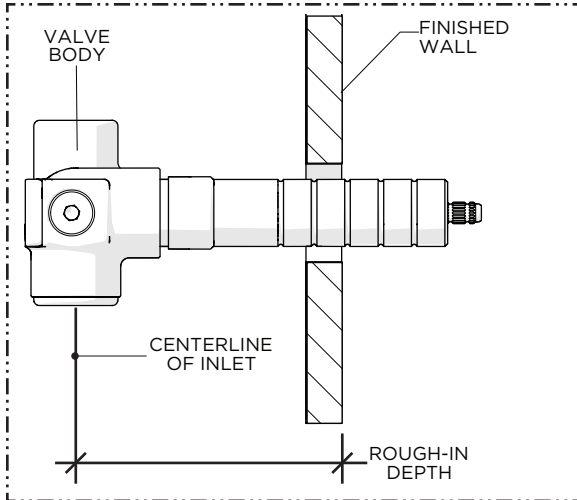
DIM	VALUE
A	8" [203mm] [NOT ADJUSTABLE]
B	8" [203mm] [NOT ADJUSTABLE]
C	*VARIES DEPENDING ON TRIM BEING USED*
D	Ø1-3/8" [35mm]



WATERWORKS INSTALLATION GUIDELINES

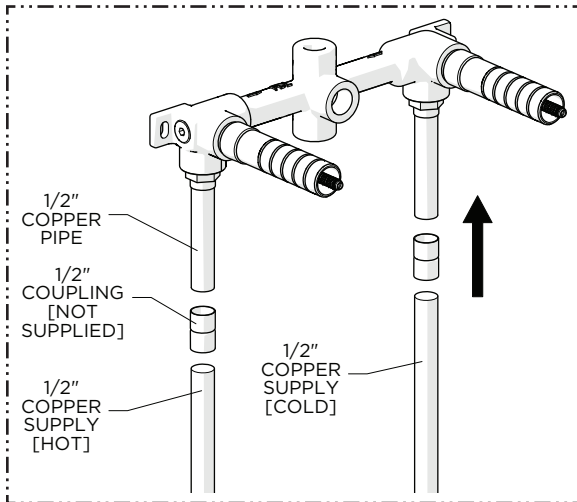


STYLE No. GULV25, GU25LV, GULV27, GU27LV
ViaWorks 1/2" Lavatory Wall Mounted Valve



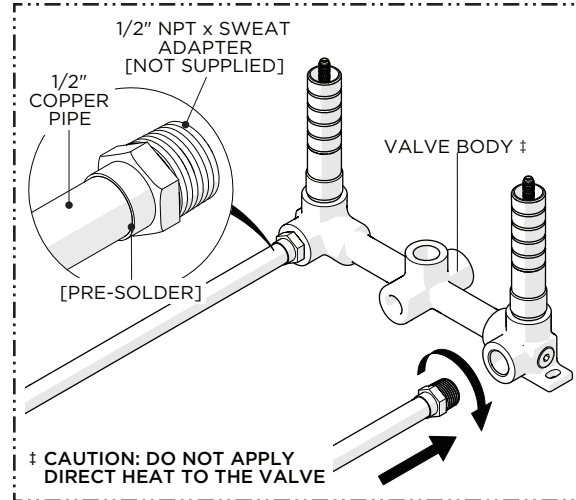
1. See the Installation Guidelines of the specific TRIM (sold separately) being used for the **MAX** and **MIN** rough-in depth dimensions.

NOTE: The rough-in depth is measured from the centerline of the inlets to the surface of the finished wall.



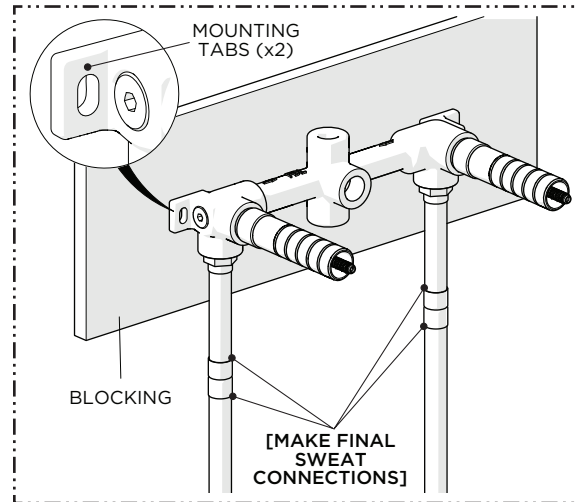
4. With the VALVE in the proper orientation, run 1/2" copper supply lines to the appropriate height and depth then connect to the VALVE using 1/2" COUPLINGS (not supplied).

NOTE: The **hot** supply should be piped on the left and the **cold** supply piped on the right.

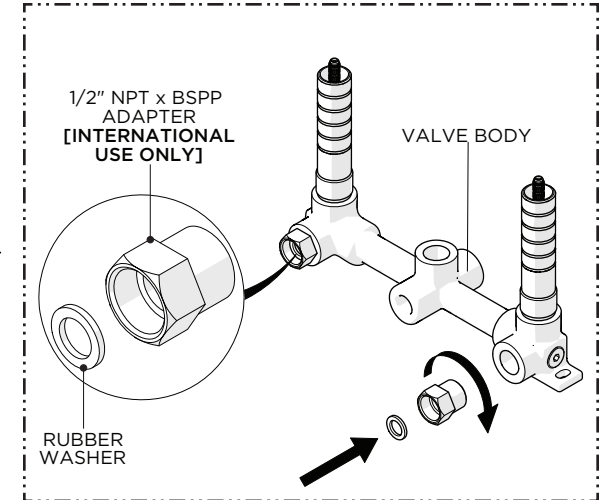


2. Pre-solder 1/2" COPPER PIPE to two 1/2" MALE NPT x SWEAT ADAPTERS (not supplied) then thread the ADAPTERS into the VALVE BODY.

NOTE: PIPES must be as long as possible to avoid heating the VALVE and damaging the CARTRIDGE when making final sweat connections.

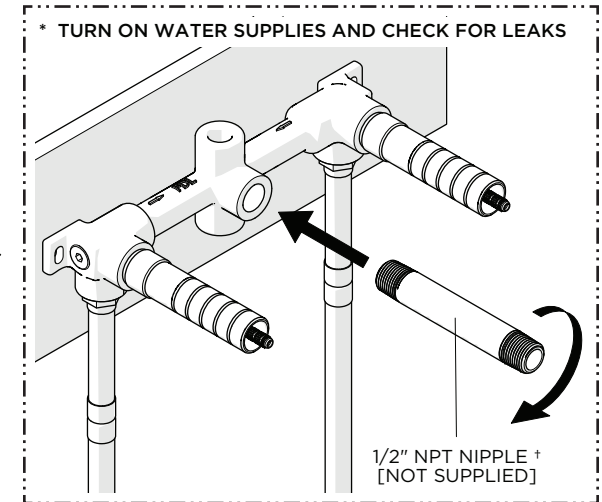


5. Verify the supplies are secure, level, and at the proper spread of 8" [203mm] prior to making final sweat connections. If necessary, utilize the MOUNTING TABS on the VALVE to secure it to blocking or other support material using appropriate SCREWS (not supplied).



FOR INTERNATIONAL INSTALLATIONS ONLY!

3. 1/2" NPT MALE x 1/2" FEMALE BSPP ADAPTERS and RUBBER WASHERS are provided. Thread and securely tighten the ADAPTERS into the VALVE BODY.

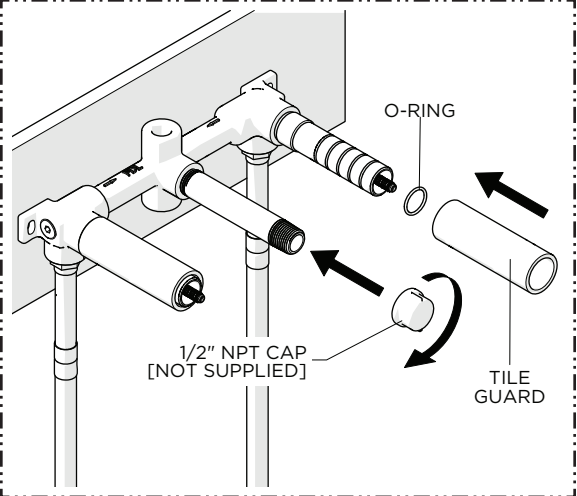
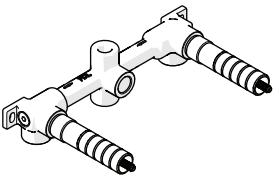


6. Install a 1/2" NPT NIPPLE (not supplied) to temporarily serve as a SPOUT then turn on the water supplies and check for leaks.

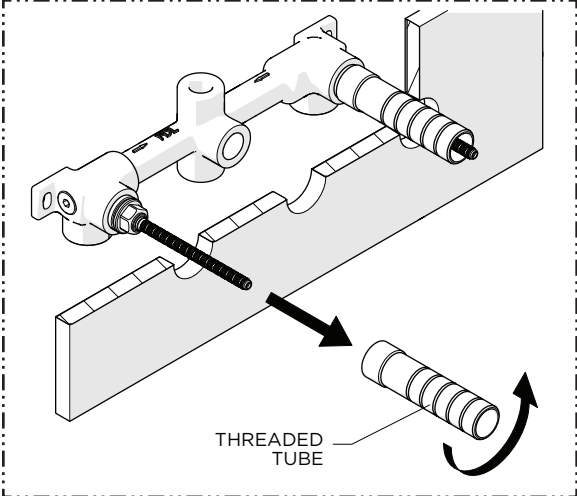
† For **INTERNATIONAL USE ONLY**, a 1/2" NPT MALE x 1/2" FEMALE BSPP ADAPTER is provided.

WATERWORKS INSTALLATION GUIDELINES

STYLE No. GULV25, GU25LV, GULV27, GU27LV
ViaWorks 1/2" Lavatory Wall Mounted Valve

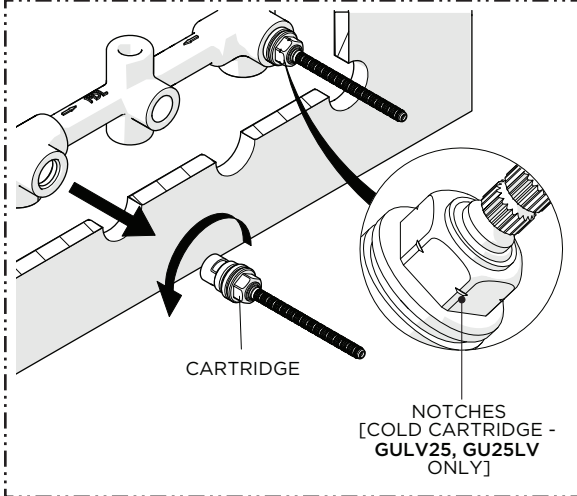


7. CAP the 1/2" NPT NIPPLE and attach the TILE GUARDS to the THREADED TUBES until construction is completed and the FAUCET is ready to be installed.



SERVICING THE CARTRIDGE

1. Remove the THREADED TUBE.



2. Unthread and remove the CARTRIDGE using a 21/32" [17mm] shower valve socket wrench.