

## Ludlow

LDPB11

Ludlow Pressure Balance Control Valve Trim with Lever Handle



SHOWN IN LUDLOW PRESSURE BALANCE CONTROL VALVE TRIM WITH LEVER HANDLE | LDPB11

### TECHNICAL DETAILS

ADA Compliance: Yes  
Fittings Hole Diameter: 89 mm  
Primary Material: Brass

### INSPIRATION

Our fresh take on American industrial design features comes in two styles, each of them clean-lined, versatile and unique to Waterworks. Choose from original Ludlow, featuring a square plate and exposed screws, and Ludlow Volta, with a round escutcheon for a softer, more transitional feel.

### CODES & STANDARDS

ASME A112.18.1/CSA B125.1, State of MA

### PRODUCT FEATURES

Lever Handle

Adjust the single handle control to switch water on and adjust temperature

Stocked in a Chrome, Nickel and Brass

Requires valve rough GUPB01

### CERTIFICATIONS

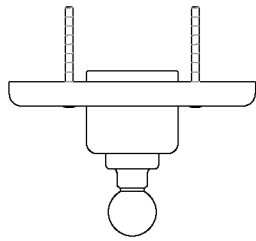


### PRODUCT (NOTES)

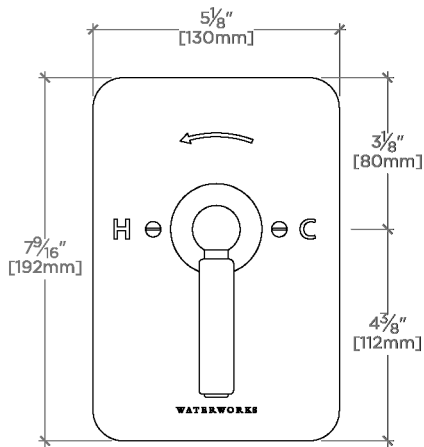
## Ludlow

LDPB11

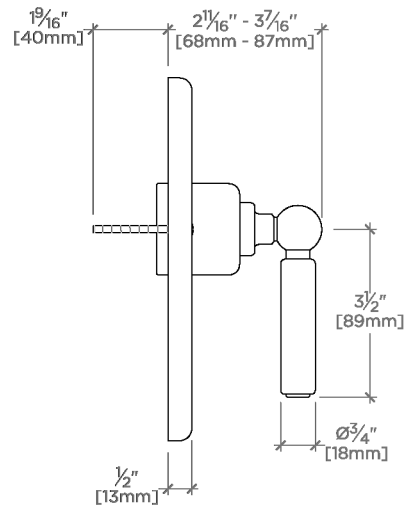
Ludlow Pressure Balance Control Valve Trim with Lever Handle



TOP VIEW SCALE: 3"=1'-0"



FRONT VIEW SCALE: 3"=1'-0"



SIDE VIEW SCALE: 3"=1'-0"