

VIAWORKS

GUPB02

ViaWorks 1/2" Pressure Balance Valve with Integrated Diverter



SHOWN IN VIAWORKS 1/2" PRESSURE BALANCE VALVE WITH INTEGRATED DIVERTER | GUPB02

TECHNICAL DETAILS

Fittings Hole Diameter: 3 1/2"
 Inlet Connection Size: 1/2"
 Inlet Connection Type: Male NPT or Copper Sweat
 Integrated Diverter: Y
 Outlet Connection Size: 1/2"
 Outlet Connection Type: Male NPT or Copper Sweat (Shower)/ Female NPT (Tub)
 Primary Material: Brass
 Safety Warnings: The risk of scalding exists until the installer has properly set the temperature high limit stop screw.
 Valve Material: Brass/Stainless Steel/Rubber
 Water Pressure Maximum: 85.0 psi
 Water Pressure Minimum: 20.0 psi
 Water Pressure Recommended: 45.0 psi

INSPIRATION

The ViaWorks collection encompasses all Waterworks valves, which are just as impeccably engineered as our legendary fittings and the finest the industry has to offer in terms of performance, features and functionality. ViaWorks valves are engineered with more than three generations of bath and kitchen expertise, each with installers and lifelong service in mind.

CODES & STANDARDS

CSA Model Number GUPB02 - ASSE 1016/ASME A112.1016/CSA B125.16

PRODUCT FEATURES

Integrated anti-scald protection.

Dual 1/2" Male NPT or 1/2" Copper Sweat inlets, Dual 1/2" Male NPT or 1/2" Copper Sweat top outlet, and 1/2" Female NPT bottom outlet.

4gpm [15L/min] at 60psi [4bar]

For use with showerheads rated at 1.0gpm [3.8L/min] or higher.

Principal handle controls ON/OFF and temperature. Integrated diverter can be used to direct flow between any 2 shower devices, such as showerhead, handshower, body spray, or tub spout.

CERTIFICATIONS

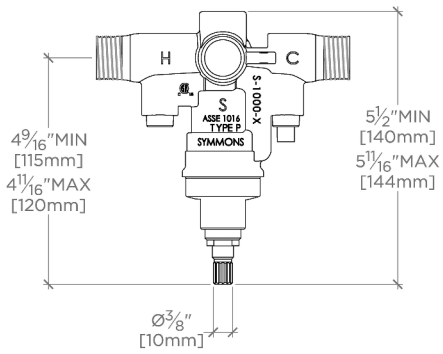


PRODUCT (NOTES)

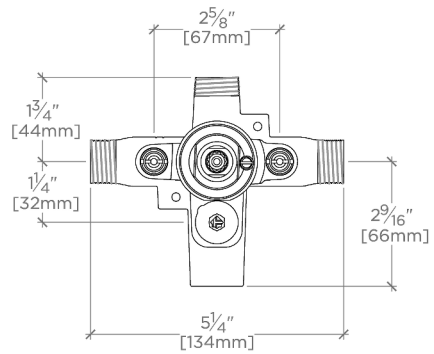
VIAWORKS

GUPB02

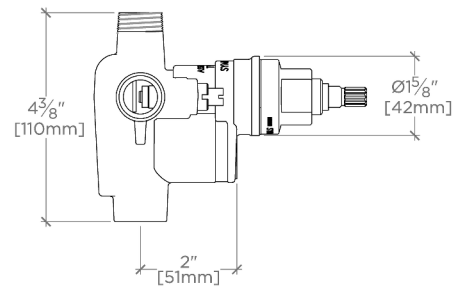
ViaWorks 1/2" Pressure Balance Valve with Integrated Diverter



TOP VIEW SCALE: 3"=1'-0"



FRONT VIEW SCALE: 3"=1'-0"



SIDE VIEW SCALE: 3"=1'-0"