

## JULIA

JUS180

Julia 8" Rain Showerhead with 6" Ceiling Mounted Shower Arm



SHOWN IN JULIA 8" RAIN SHOWERHEAD WITH 6" CEILING MOUNTED SHOWER ARM | JUS180

### TECHNICAL DETAILS

Adjustable Versus Fixed Spray: Fixed  
 Fittings Hole Diameter: 1 1/4"  
 Flow Restriction Options: 1.5, 1.75, 2.0  
 Inlet Connection Size: 1/2"  
 Inlet Connection Type: Male NPT  
 Pivot: Y  
 Primary Material: Brass  
 Restricted Maximum Flow Rate: 1.75 gpm  
 Water Pressure Maximum: 85.0 psi  
 Water Pressure Minimum: 20.0 psi  
 Water Pressure Recommended: 45.0 psi

### INSPIRATION

An interpretation of 1920s French country, Julia speaks to decoration and intricate design displayed through beautifully composed turnings. These details embody the robust, signature high profile spout enabling Julia to transition fluidly from informal to formal environments.

### CODES & STANDARDS

JUS180X, ASME A112.18.1/CSA B125.1, CEC(1.5GPM & 1.75GPM Only), WaterSense(1.5GPM, 1.75GPM & 2.0GPM Only), DOE, State of MA

### PRODUCT FEATURES

- Made of Brass
- Features a swivel 8" rain showerhead with easy clean rubber nozzles
- Includes a 6" ceiling mounted shower arm
- Stocked in Brass, Chrome, Nickel and Matte Nickel
- Rain showerhead available in 1.75gpm (6.6L/min) flow rate

### CERTIFICATIONS



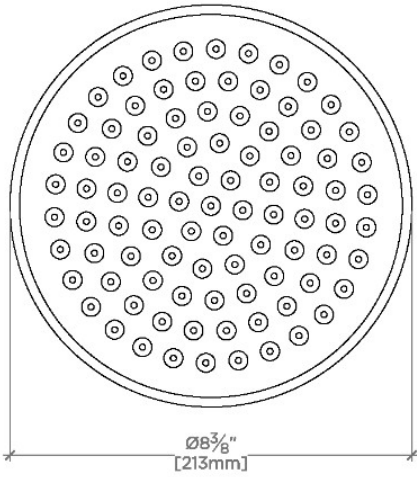
### PRODUCT (NOTES)

# WATERWORKS

## JULIA

## JUS180

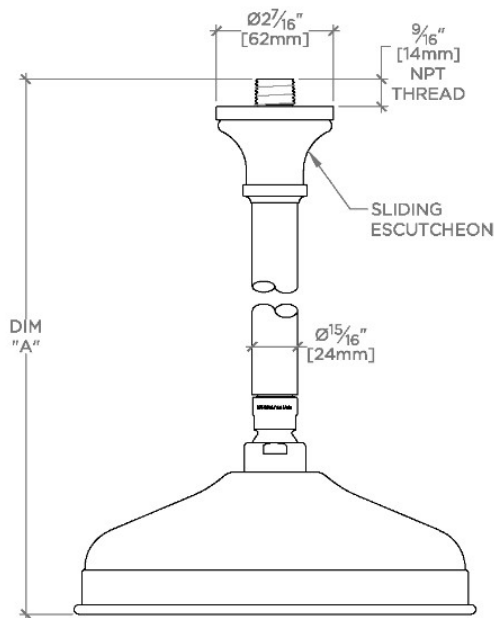
Julia 8" Rain Showerhead with 6" Ceiling Mounted Shower Arm



CEILING VIEW

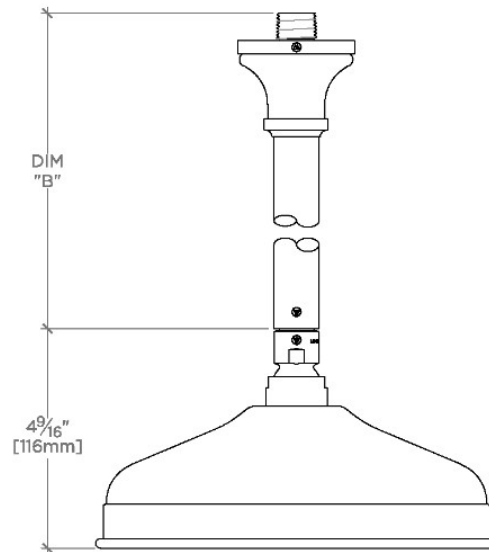
SCALE: 3"=1'-0"

STYLE NO.	DIM "A"	DIM "B"
ETS180	1 1/8" [283mm]	6 9/16" [167mm]
FRS180		
JUS180		
ETS181	1 7/8" [435mm]	12 9/16" [319mm]
FRS181		
JUS181		



FRONT VIEW

SCALE: 3"=1'-0"



SIDE VIEW

SCALE: 3"=1'-0"