

## FLYTE

FLLS60

Flyte Wall Mounted Lavatory Faucet with Cross Handles



SHOWN IN FLYTE WALL MOUNTED LAVATORY FAUCET WITH CROSS HANDLES | FLLS60

### TECHNICAL DETAILS

ADA Compliance: Yes  
 Drain Assembly Materials: Brass  
 Drain Depth Maximum: 2"  
 Drain Depth Minimum: 1 1/4"  
 Drain Hole Diameter: 1 1/2"  
 Drain Style: USA Push Touch  
 Escutcheon Primary Material: Brass  
 Fittings Hole Diameter: 1 3/8"  
 Flow Restriction Options: 1.0 , 1.2 , 1.5 , 1.75, 2.2  
 Handle Spread Maximum: 8"  
 Handle Spread Minimum: 8"  
 Handle Turn Angle: Quarter Turn  
 Height: 2 7/8"  
 Inlet Connection Size: 1/2"  
 Inlet Connection Type: Female NPT  
 Inlet Supply Spread Maximum: 8"  
 Inlet Supply Spread Minimum: 8"  
 Length: 10 3/8"  
 Number Of Holes: Three Hole  
 Primary Material: Brass  
 Restricted Maximum Flow Rate: 1.2 gpm  
 Valve Material: Brass, Ceramic  
 Water Pressure Maximum: 80.0 psi  
 Water Pressure Minimum: 20.0 psi  
 Water Pressure Recommended: 45.0 psi

### INSPIRATION

Pure Modernism. Like minimalist works of art, the elegant proportions of these light, fluid elements bring sculptural reference to a room.

### CODES & STANDARDS

NSF/ANSI/CAN 61:Q < 1, CEC, State of MA

### PRODUCT FEATURES

Cross Handles

Includes Universal Push-Touch Drain (UNLD23) which fits 1-1/2" through 1-3/4" drain hole openings

Stocked in Chrome, Nickel, Brass and Matte Black

Available in 1.2gpm (4.5L/min) flow rate

### CERTIFICATIONS

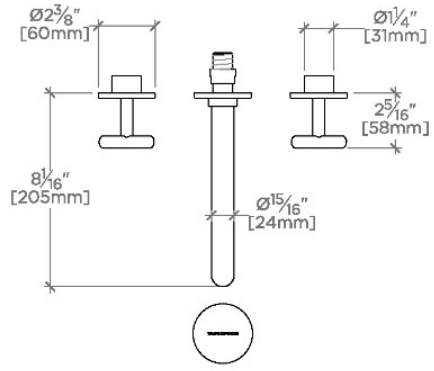


### PRODUCT (NOTES)

## FLYTE

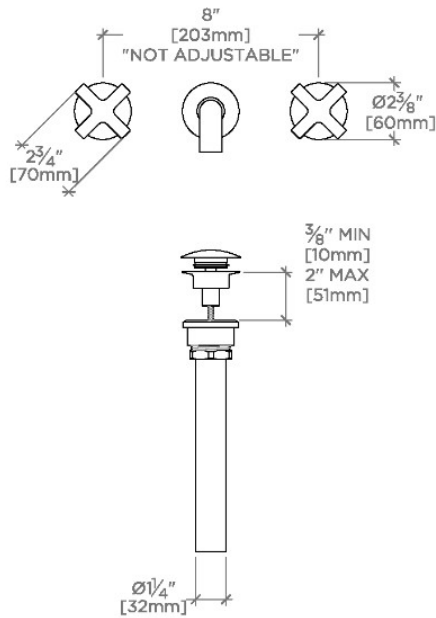
FLLS60

Flyte Wall Mounted Lavatory Faucet with Cross Handles



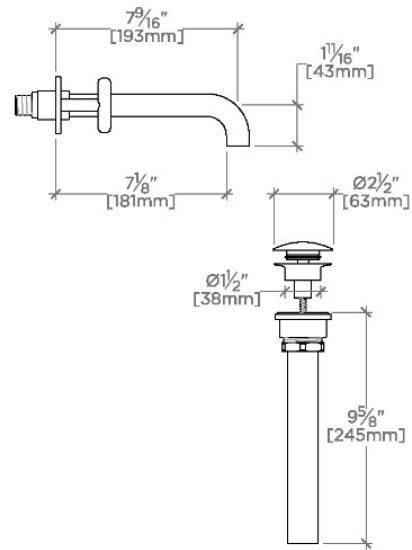
TOP VIEW

SCALE: 1/2"=1'-0"



FRONT VIEW

SCALE: 1/2"=1'-0"



SIDE VIEW

SCALE: 1/2"=1'-0"