

INSTALLATION GUIDELINES

STYLE No. BDLS01, BDLS02, BDLS03

Boulevard Low Profile Three Hole Deck Mounted Lavatory Faucet



STYLE No. BDLS01
Boulevard Low Profile Three Hole Deck Mounted Lavatory Faucet with Metal Cross Handles

STYLE No. BDLS02
Boulevard Low Profile Three Hole Deck Mounted Lavatory Faucet with Metal Lever Handles

STYLE No. BDLS03
Boulevard Low Profile Three Hole Deck Mounted Lavatory Faucet with Crystal Lever Handles

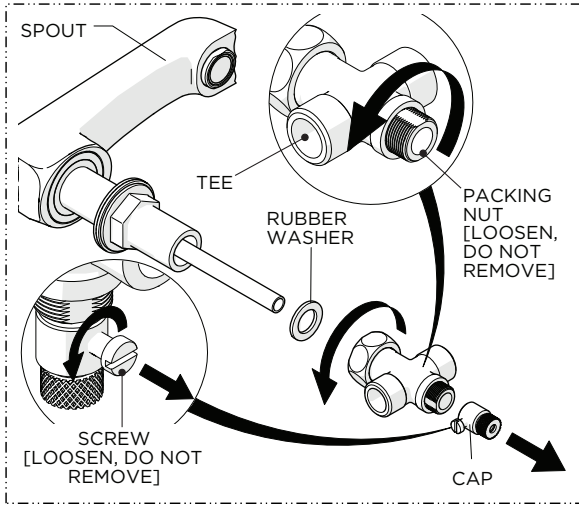
IMPORTANT:

- To ensure this product is installed properly, you must read and follow these guidelines.
- The owner/user of this product must keep this information for future reference.
- This product must be installed by a professional licensed contractor.
- Be sure your installation conforms to federal state, and local codes. In the State of Massachusetts, all installations must comply with the rules and regulations set forth within 248 CMR.
- Inspect this product to ensure you have all the parts required for proper installation. Product is sold partially assembled but shown fully disassembled for illustrative and service purposes only.
- Use only a strap wrench or protected/smooth-jaw wrench on any finished surface.
- The use of certain plumber’s putty may stain stone or tile surfaces.
- If further assistance is required, please contact Product Support at 1-800-927-2120 Monday through Friday, 8am - 6pm EST.
- Refer to the separate Service Parts Documents for available replacement parts.

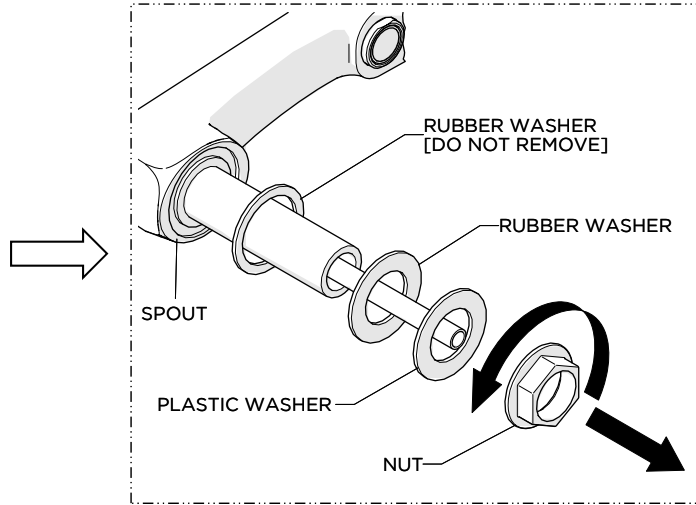
TECHNICAL DETAILS:

DETAIL	SPECIFICATION
DECK THICKNESS MAXIMUM	1-1/2" [38mm]
DRAIN DEPTH	1-3/8" [35mm] MIN 1-3/4" [45mm] MAX
DRAIN HOLE DIAMETER	Ø1-3/4" [44mm]
DRAIN STYLE	POP UP
FITTINGS HOLE DIAMETER	Ø1-3/8" [35mm]
HANDLE SPREAD	8" [203mm] MIN 12" [305mm] MAX
HANDLE TURN ANGLE	QUARTER TURN
INLET CONNECTION	1/2" MALE WITH SUPPLY NUT
SPOUT REACH	5-1/2" [140mm]
WATER PRESSURE RANGE	20psi [1.5 bar] MIN 85psi [6.0 bar] MAX
WATER PRESSURE RECOMMENDED	45psi [3.0 bar]

INSTALLATION GUIDELINES

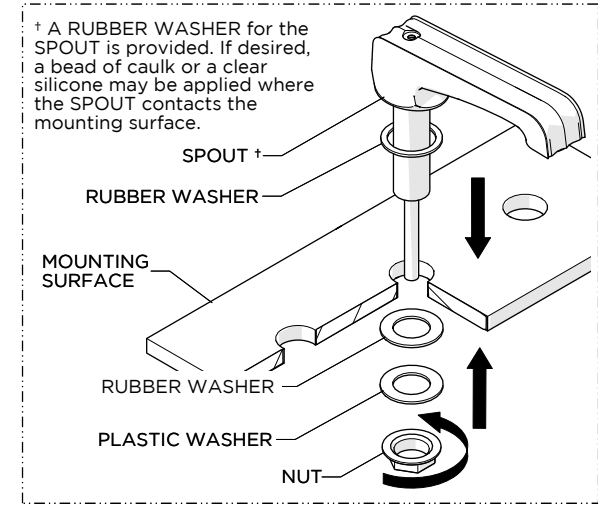


1. Loosen but do NOT remove the SCREW on the CAP then remove the CAP. Loosen but do NOT remove the PACKING NUT at the base of the TEE then remove the TEE and RUBBER WASHER from the SHANK.

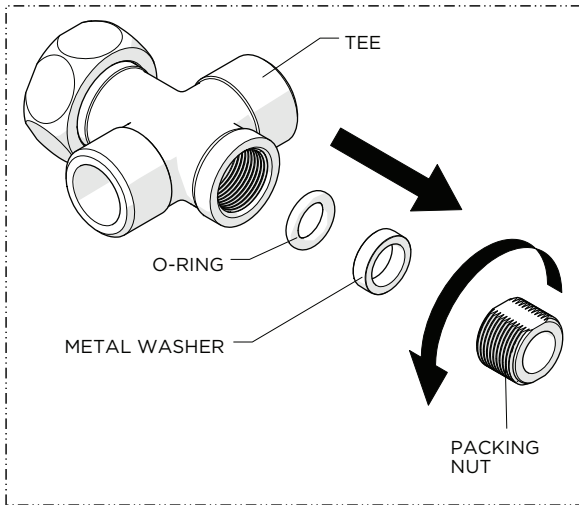


2. Unthread and remove the NUT and lower deck WASHERS from the SHANK.

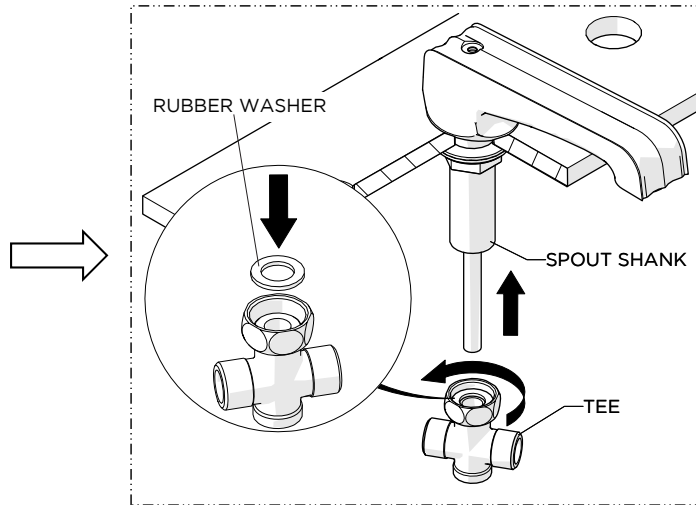
NOTE: Do NOT remove the RUBBER WASHER beneath the ESCUTCHEON.



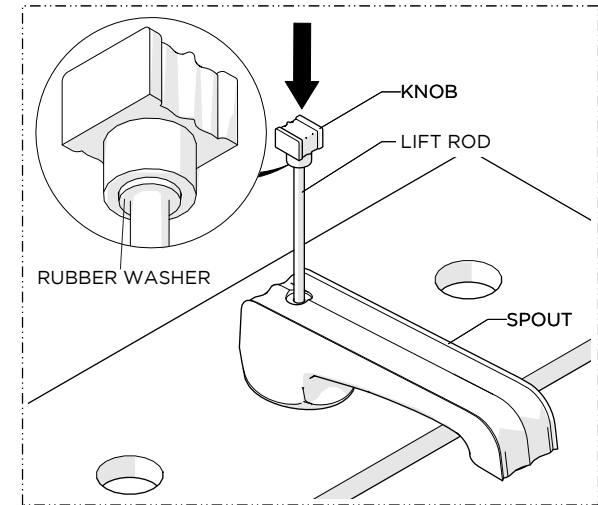
3. Insert the SHANK through the hole on the mounting surface making sure the RUBBER WASHER is beneath the SPOUT then reattach the lower deck WASHERS and securely tighten the NUT.



4. Remove the PACKING NUT, METAL WSAHER and O-RING from the TEE to prevent the GUIDE TUBE in the SPOUT from damaging the O-RING.

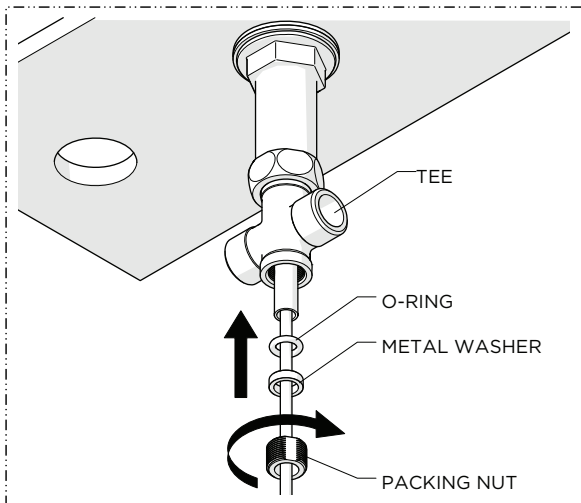


5. Thread and securely tighten the TEE onto the SHANK making sure to use the RUBBER WASHER provided.

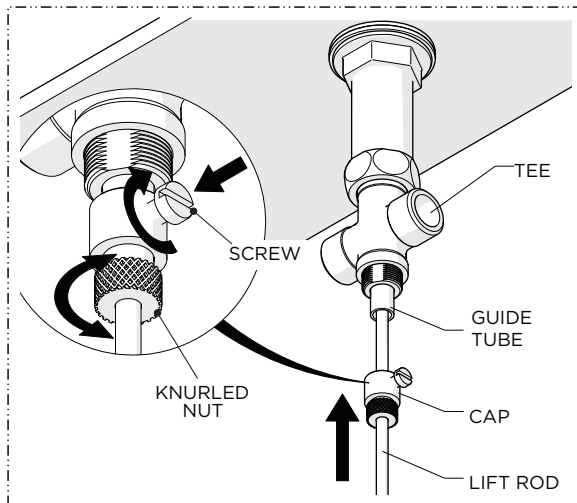
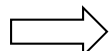


6. Insert the LIFT ROD into the top of the SPOUT making sure the RUBBER WASHER is beneath the KNOB.

INSTALLATION GUIDELINES

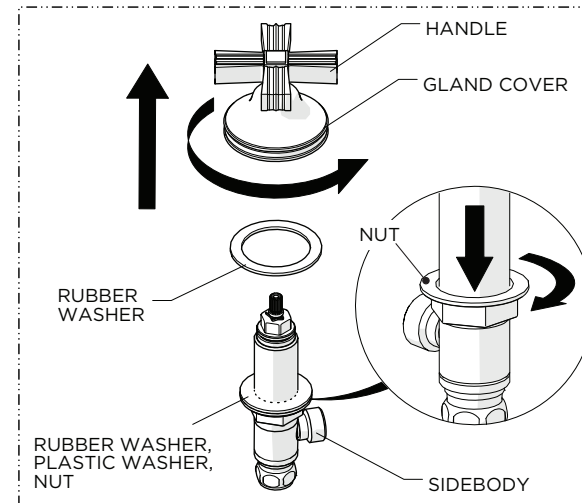
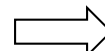


7. Insert the O-RING and METAL WASHER into the base of the TEE then insert and securely tighten the PACKING NUT.



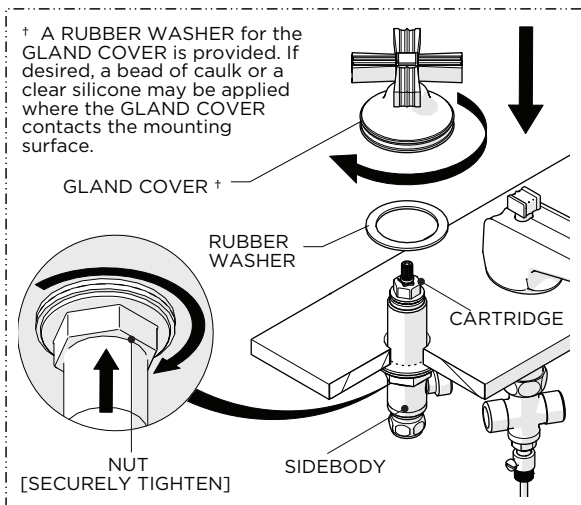
8. Slide the CAP up the LIFT ROD and onto the GUIDE TUBE then securely tighten the SCREW.

NOTE: Use the KNURLED NUT to adjust the tension on the LIFT ROD. Do NOT over tighten the NUT.

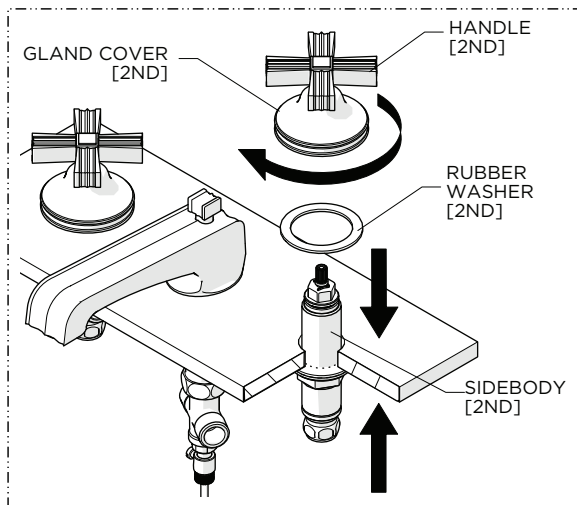
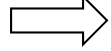


9. Unthread the GLAND COVER from the CARTRIDGE then remove the HANDLE and RUBBER WASHER. Fully thread the NUT down the SIDE BODY.

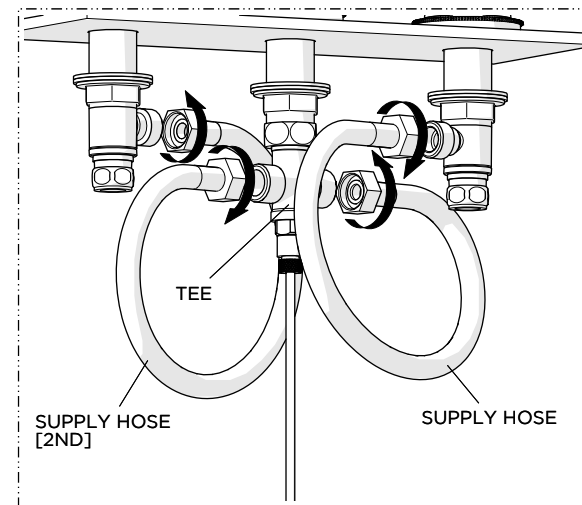
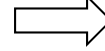
NOTE: Do NOT remove the lower deck WASHERS.



10. Using the RUBBER WASHER provided, place the HANDLE onto the CARTRIDGE in the desired orientation and thread the GLAND COVER onto the CARTRIDGE until it stops then securely tighten the NUT against the underside of the mounting surface.

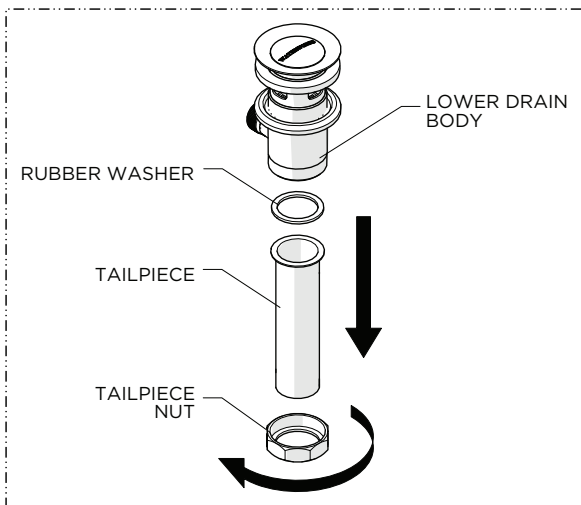


11. Repeat Steps 9 through 10 to install the second (2nd) HANDLE.

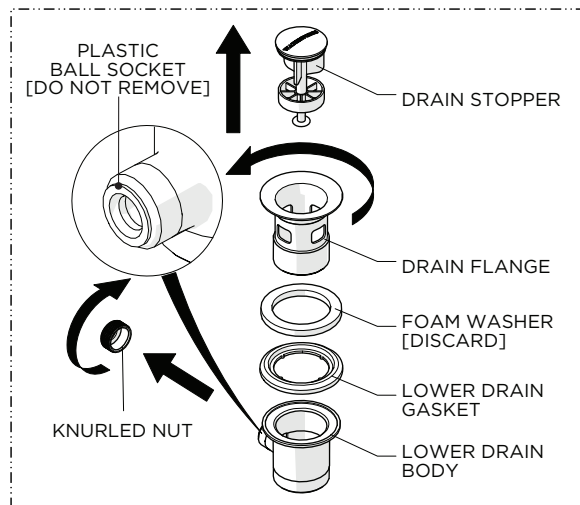


12. Connect the SIDE BODIES to the TEE using the SUPPLY HOSES provided. Securely tighten the HOSES and ensure they are not pinched/kinked.

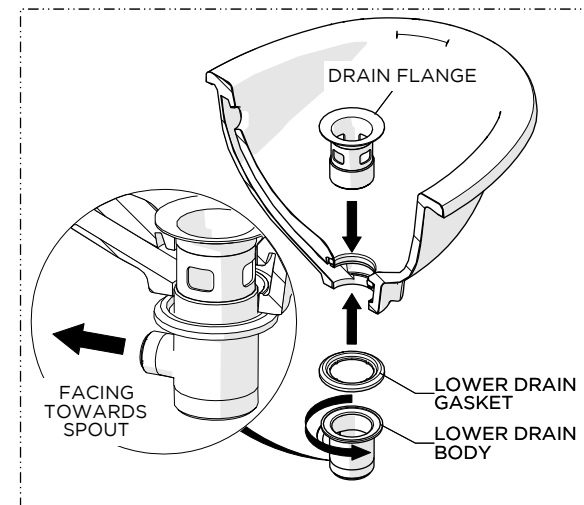
INSTALLATION GUIDELINES



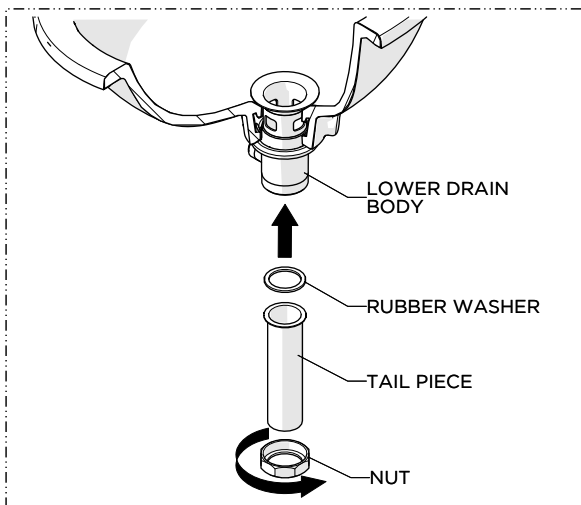
13. Unthread and remove the NUT, TAILPIECE, and RUBBER WASHER from the LOWER DRAIN BODY.



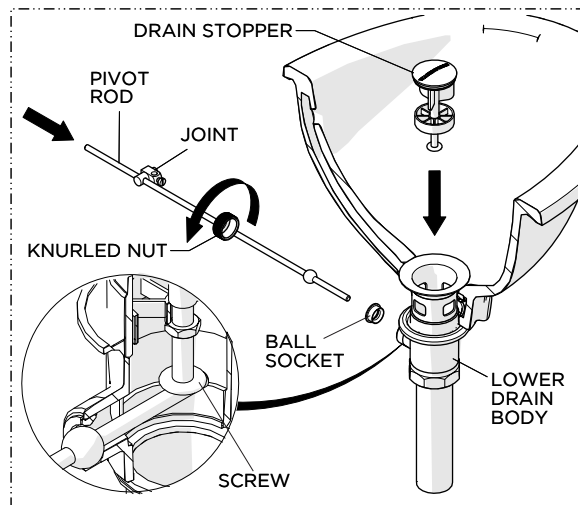
14. Unthread and remove the LOWER DRAIN BODY, LOWER DRAIN GASKET, and the DRAIN STOPPER from the DRAIN FLANGE.



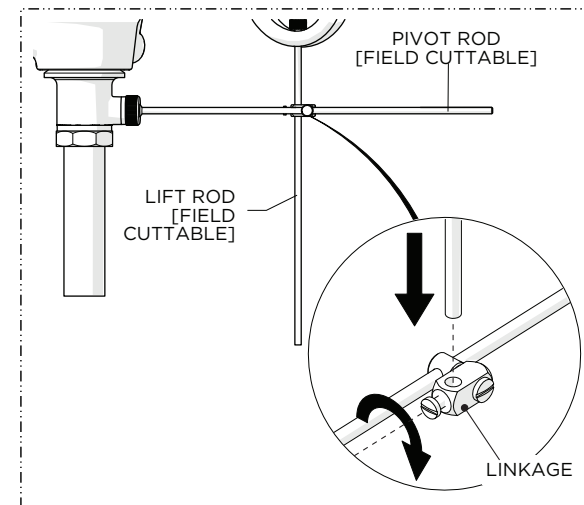
15. Set the DRAIN FLANGE into the lavatory (sold separately) using putty or a clear silicone and attach the LOWER DRAIN GASKET then securely tighten the LOWER DRAIN BODY onto the FLANGE.



16. Re-attach the TAILPIECE then securely tighten the NUT onto the LOWER DRAIN BODY making sure to include the RUBBER WASHER provided.



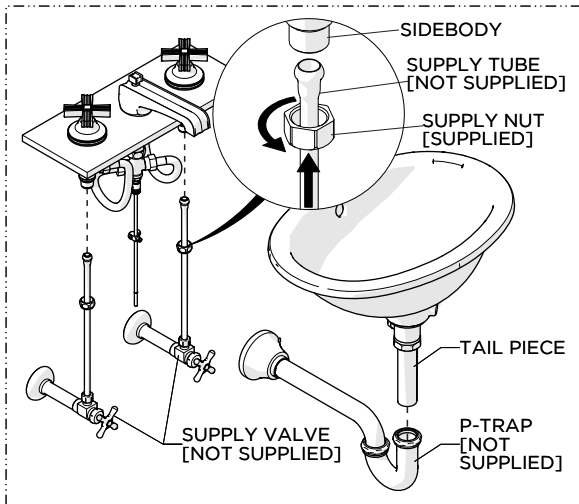
17. Making sure the BALL SOCKET is in place, insert the PIVOT ROD into the DRAIN BODY and securely tighten the NUT then insert the STOPPER into the FLANGE making sure the SCREW rest on top of the PIVOT ROD. Adjust the SCREW if needed.



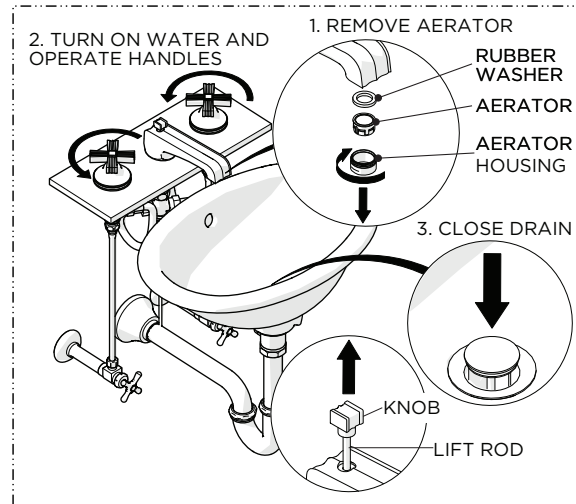
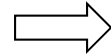
18. Connect the LIFT ROD to the PIVOT ROD using the LINKAGE provided.

NOTE: Both RODS may be field cut.

INSTALLATION GUIDELINES



19. Make final P-TRAP (sold separately) and SUPPLY VALVE (sold separately) connections.



20. Remove the AERATOR, turn on the water to flush out the supply lines, inspect all connections for leaks, and close the DRAIN to ensure it functions properly. Turn off and drain the water then re-install the AERATOR.