

EASTON

EAKM32

Easton Classic Two Hole Bridge Gooseneck Kitchen Faucet, Metal Lever Handles and Spray



SHOWN IN EASTON CLASSIC TWO HOLE BRIDGE GOOSENECK KITCHEN FAUCET, METAL LEVER HANDLES AND SPRAY| EAKM32

TECHNICAL DETAILS

Deck Thickness Maximum: 32 mm
 Deck Thickness Minimum: 6 mm
 Fittings Hole Diameter: 35 mm
 Handle Spread Maximum: 200 mm
 Handle Spread Minimum: 200 mm
 Handle Turn Angle: Quarter Turn
 Handshower / Spray Hose Length: 1.2 m
 Depth / Width: 295 mm
 Height: 395 mm
 Inlet Connection Size: 1/2"
 Inlet Connection Type: Male
 Inlet Supply Spread Maximum: 200 mm
 Inlet Supply Spread Minimum: 200 mm
 Integrated Diverter: Y
 Primary Material: Brass
 Restricted Maximum Flow Rate: 8.3 liters/min
 Spout Reach: 9 13/16"
 Spout Swivel: Y
 Spray Included in Unit: Y
 Suggested Application: Bar, Kitchen, Laundry
 Valve Material: Ceramic
 Water Pressure Maximum: 6.0 bar
 Water Pressure Minimum: 1.5 bar
 Water Pressure Recommended: 3.0 bar

INSPIRATION

Drawing on Edwardian style, Easton is the most extensive Waterworks family; a range of moods and a selection of products from fittings to furniture.

CODES & STANDARDS

Code # EAKM32: CEC

PRODUCT FEATURES

Built-in automatic diverter for spray operation.

Quarter turn ceramic cartridge

Hot and/or Cold Mix for the Sidespray. Does not require separate valve control for sprayer

Available in all Easton handles - cross, metal lever, white porcelain lever, black porcelain lever, and oak lever

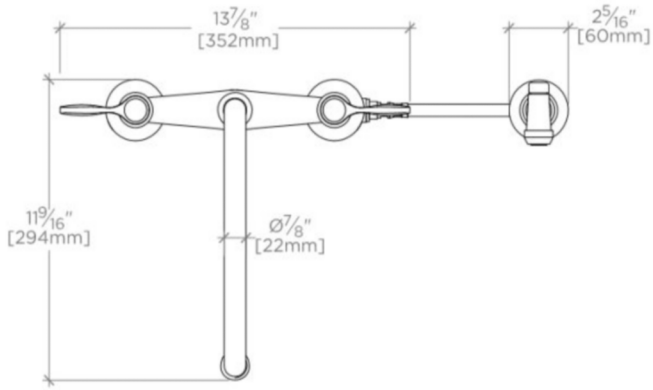
Standard flow rate is 2.2gpm (8.3 L/min) and State of California requires a maximum of 1.8gpm(6.8 L/min). Also available in other flow options. Contact a sales associate for details.

WATERWORKS

EASTON

EAKM32

Easton Classic Two Hole Bridge Gooseneck Kitchen Faucet, Metal
Lever Handles and Spray



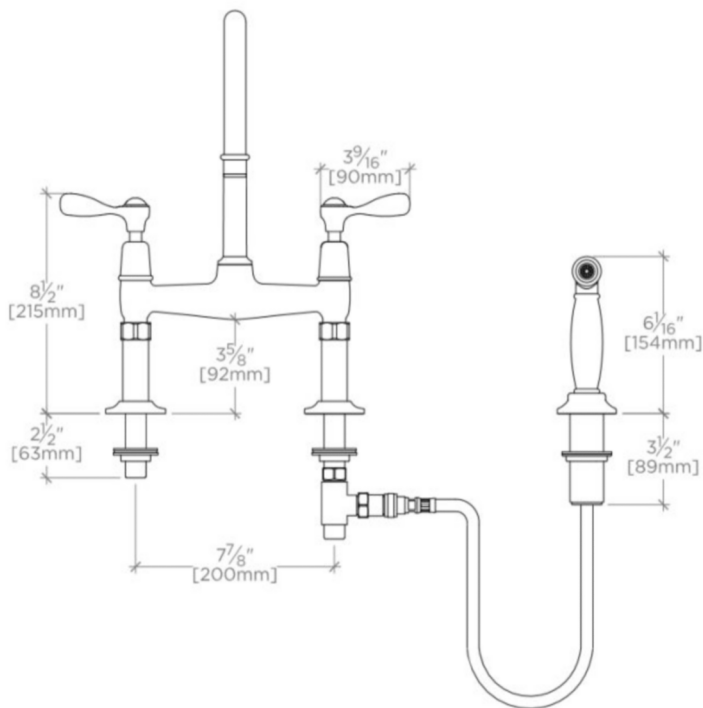
TOP VIEW

SCALE: 1 1/2"=1'-0"



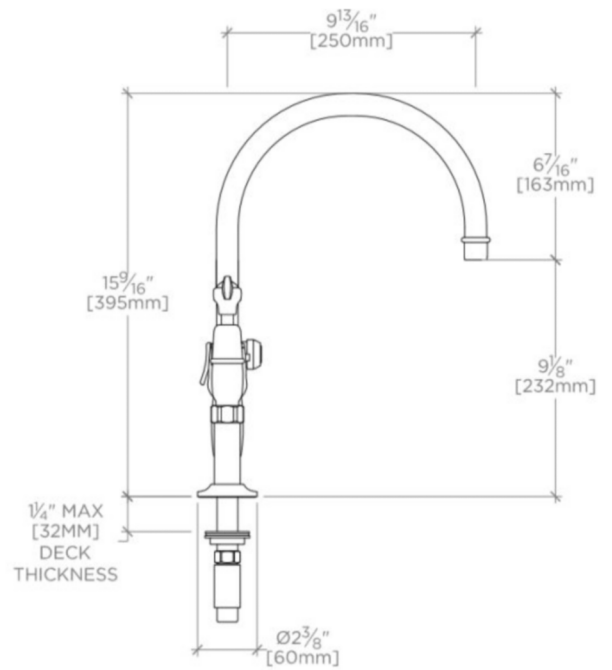
ISO VIEW

SCALE: 1 1/2"=1'-0"



FRONT VIEW

SCALE: 1 1/2"=1'-0"



SIDE VIEW

SCALE: 1 1/2"=1'-0"