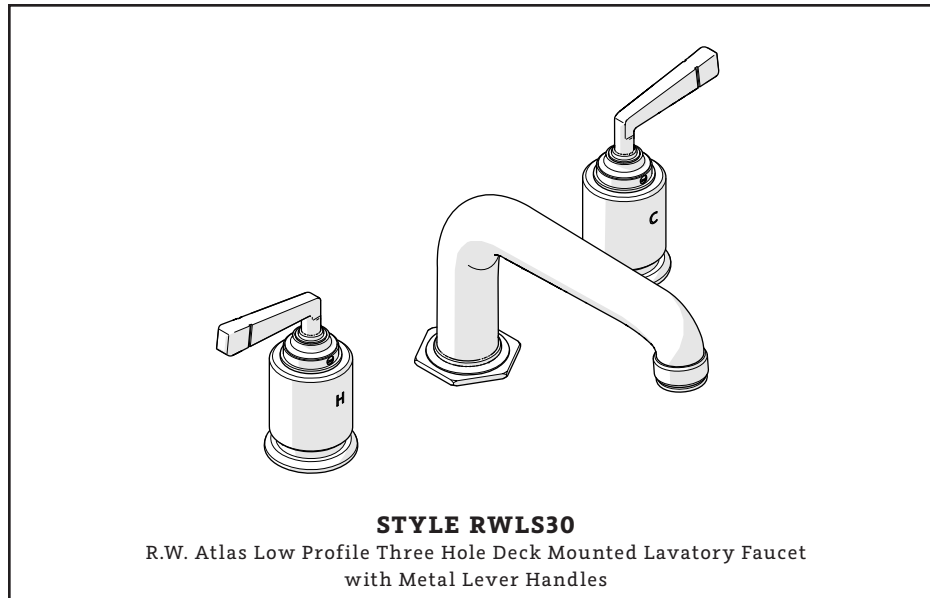
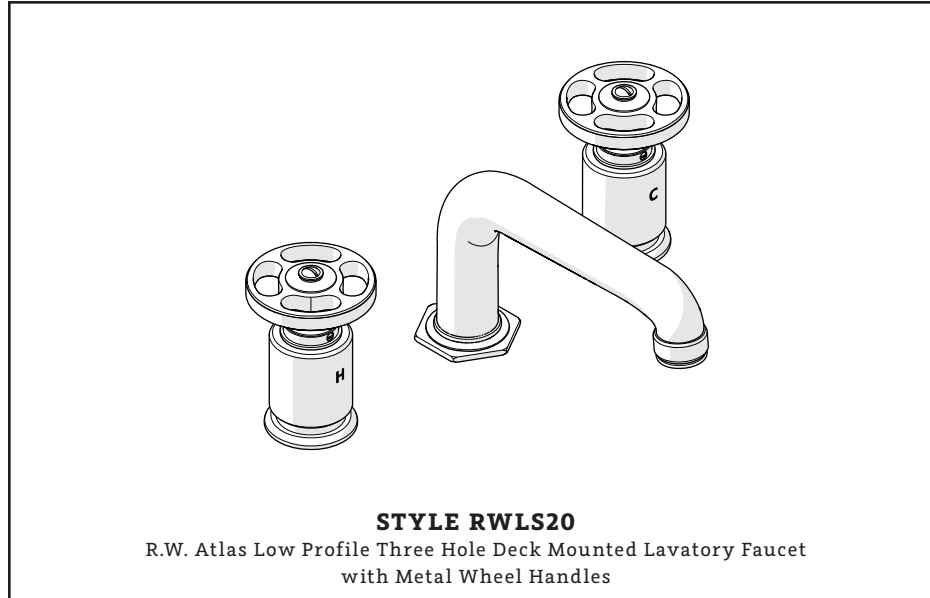




ESTB. 1978

# WATERWORKS SERVICE PARTS



---

WELCOME TO

# WATERWORKS

For over three decades, Waterworks has transformed the bath through an absolute commitment to design authenticity, innovation and quality. A blend of scholarly appreciation and applied experience guarantees mechanical integrity, meticulous craftsmanship, and timeless designs.

---

**TO ORDER PARTS CALL  
1 (800) 927-2120 (EXT 2)**

Order by part number and specify color, finish, or other options if required.

**PRODUCT SUPPORT**

Our Product Support team provides troubleshooting and technical problem resolution, including replacement parts and installation recommendations throughout the life of your product.

Product Support is available Monday through Friday, 8AM-6PM EST.

**LIMITED LIFETIME  
WARRANTY**

Our warranty covers repair and replacement of Waterworks products if within the applicable coverage period and deemed defective by Waterworks. Waterworks will, at its option, repair or replace such products; this does not include installation costs, labor charges, or other incidental or consequential costs.

To obtain your complete warranty or inquire about warranty service, please visit us at [www.waterworks.com](http://www.waterworks.com) or contact our Product Support Team.

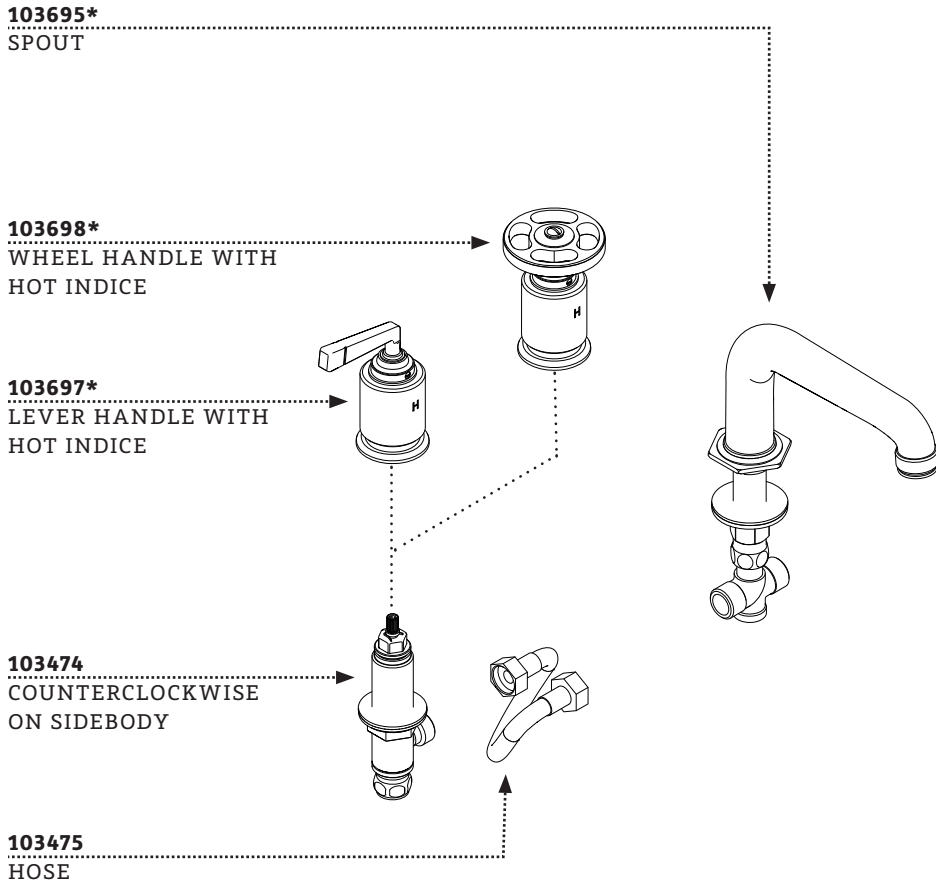


ESTB. 1978

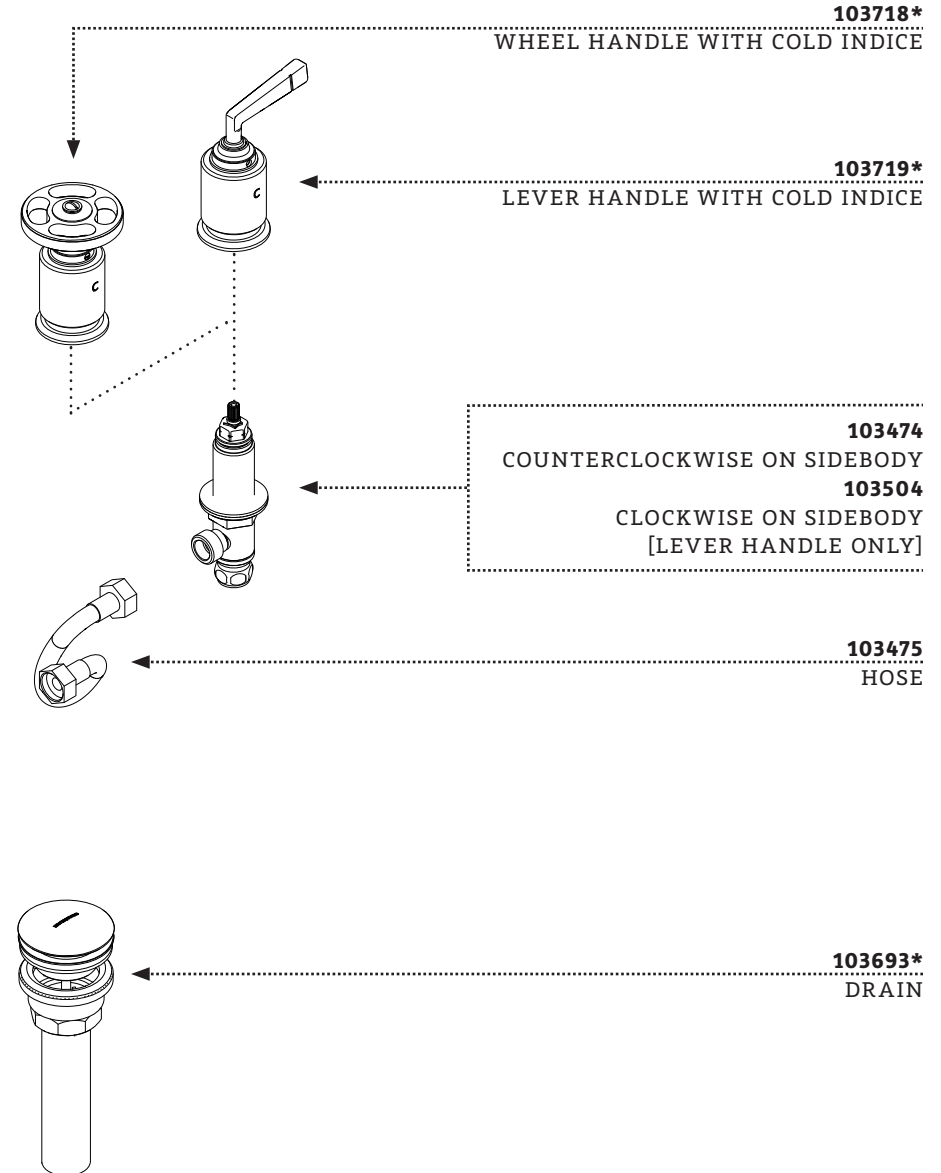
WATERWORKS

### MAIN KITS

STYLES: RWLS20, RWLS30



\*FINISH/COLOR MUST BE SPECIFIED WHEN ORDERING  
++SUPPLIED AS A PAIR



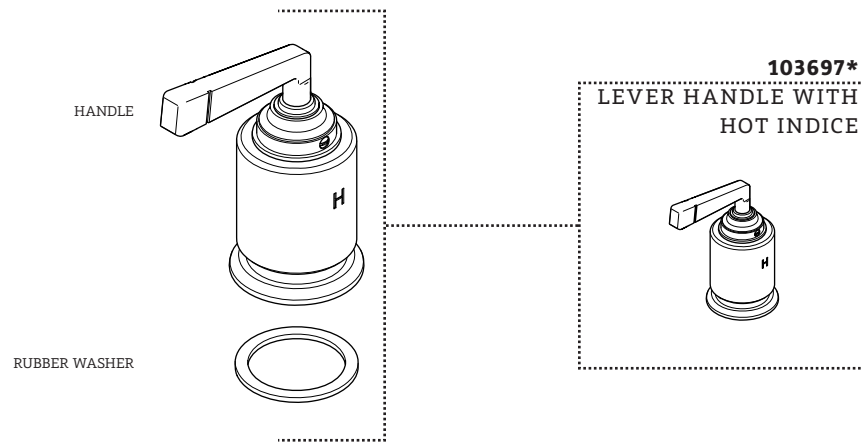
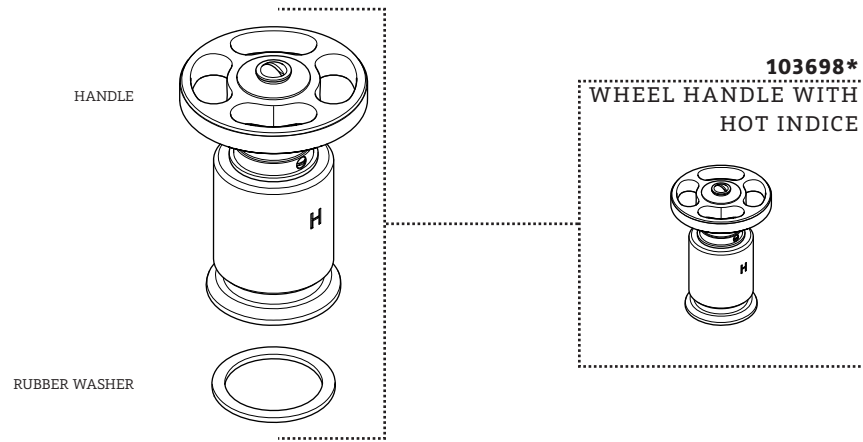


ESTB. 1978

WATERWORKS

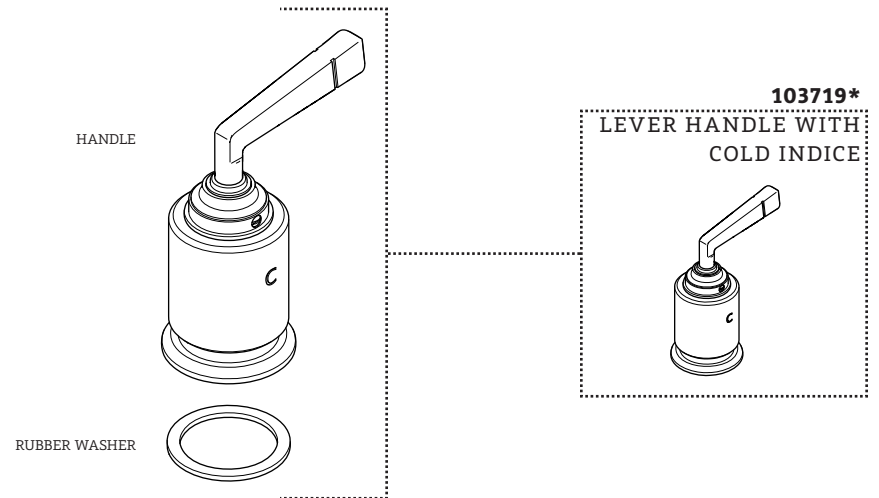
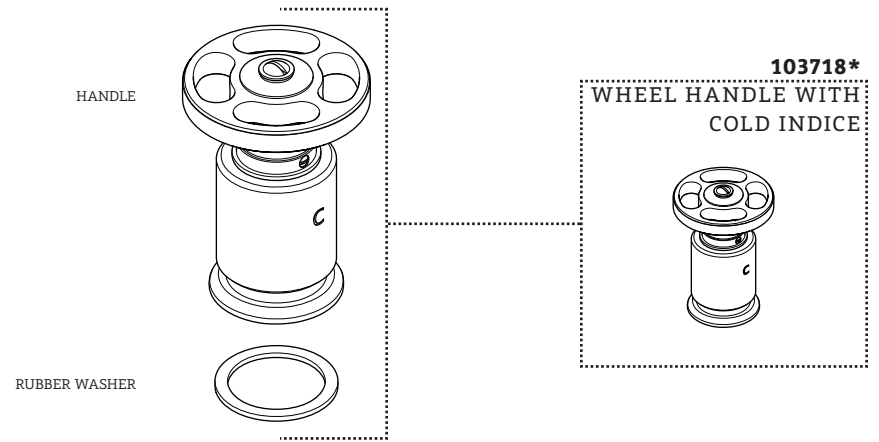
**KIT COMPONENTS**

**STYLES: RWLS20, RWLS30**



\*FINISH/COLOR MUST BE SPECIFIED WHEN ORDERING  
++SUPPLIED AS A PAIR

**KIT COMPONENTS**





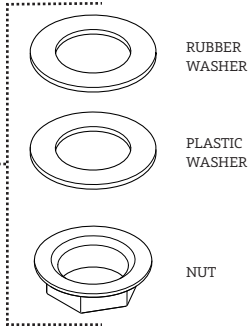
ESTB. 1978

WATERWORKS

### KIT COMPONENTS

STYLES: RWLS20, RWLS30

**103471**  
MOUNTING HARDWARE



**337847**  
COUNTERCLOCKWISE ON  
CARTRIDGE



SIDEBODY

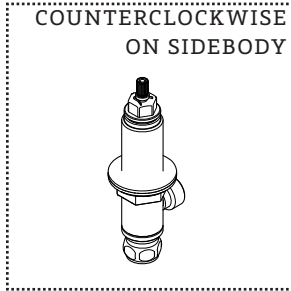


RUBBER WASHER



NUT

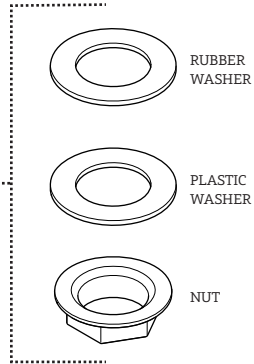
**103474**  
COUNTERCLOCKWISE  
ON SIDEBODY



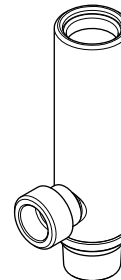
\*FINISH/COLOR MUST BE SPECIFIED WHEN ORDERING  
++SUPPLIED AS A PAIR

### KIT COMPONENTS

**103471**  
MOUNTING HARDWARE



**258790**  
CLOCKWISE ON  
CARTRIDGE



SIDEBODY

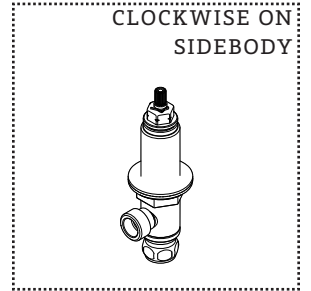


RUBBER WASHER



NUT

**103504**  
CLOCKWISE ON  
SIDEBODY



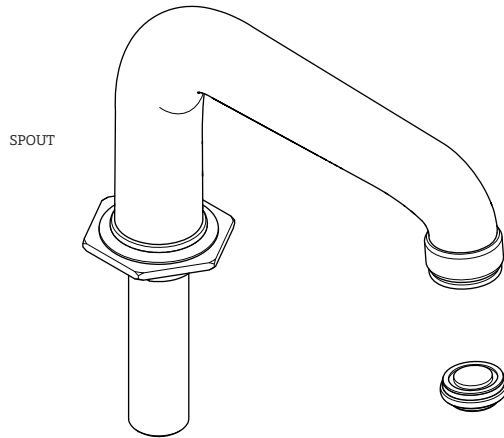


ESTB. 1978

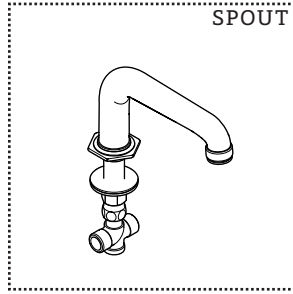
WATERWORKS

### KIT COMPONENTS

STYLES: RWLS20, RWLS30



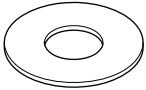
**103695\***  
SPOUT



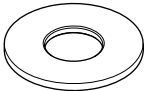
**103690**  
AERATOR



RUBBER  
WASHER



METAL  
WASHER



NUT



RUBBER  
WASHER



TEE



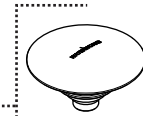
**103696**  
MOUNTING HARDWARE

**103614**  
TEE

\*FINISH/COLOR MUST BE SPECIFIED WHEN ORDERING  
++SUPPLIED AS A PAIR

### KIT COMPONENTS

**103692\***  
DRAIN STOPPER



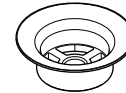
DRAIN STOPPER



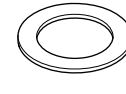
DRAIN STOPPER  
GASKET



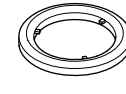
SCREW



DRAIN FLANGE



FOAM WASHER



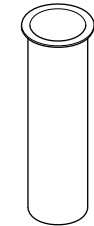
FORMED GASKET



LOWER DRAIN BODY



RUBBER WASHER

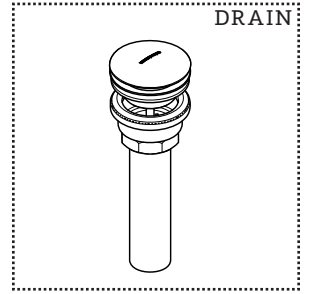


TAILPIECE



TAILPIECE NUT

**103693\***  
DRAIN





ESTB. 1978

WATERWORKS

STYLES: RWLS20, RWLS30

**SERVICE PARTS INDEX**

<u>STYLE</u>	<u>DESCRIPTION</u>	<u>PG</u>
103690	AERATOR	8
258790	CLOCKWISE ON CARTRIDGE	7
103504	CLOCKWISE ON SIDEBODY	7
337847	COUNTERCLOCKWISE ON CARTRIDGE	6
103474	COUNTERCLOCKWISE ON SIDEBODY	6
103693*	DRAIN	9
103692*	DRAIN STOPPER	9
103475	HOSE	3
103719*	LEVER HANDLE WITH COLD INDICE	5
103697*	LEVER HANDLE WITH HOT INDICE	4
103696	MOUNTING HARDWARE	8
103471	MOUNTING HARDWARE	7
103695*	SPOUT	8
103614	TEE	8
103718*	WHEEL HANDLE WITH COLD INDICE	5
103698*	WHEEL HANDLE WITH HOT INDICE	4

\*FINISH/COLOR MUST BE SPECIFIED WHEN ORDERING  
++SUPPLIED AS A PAIR

**NOTES**

DOCUMENT: SPRW02\_REV01



ESTB. 1978

WATERWORKS

**NOTES**

**STYLES: RWLS20, RWLS30**

\*FINISH/COLOR MUST BE SPECIFIED WHEN ORDERING  
++SUPPLIED AS A PAIR

**NOTES**





ESTB. 1978

WATERWORKS

**PRODUCT SUPPORT**

60 BACKUS AVENUE  
DANBURY, CT 06810

1 (800) 927-2120 (EXT 2)

[WWW.WATERWORKS.COM](http://WWW.WATERWORKS.COM)