

Flyte

FLTH01

Flyte Thermostatic Control Valve Trim with Cross Handle



SHOWN IN FLYTE THERMOSTATIC CONTROL VALVE TRIM WITH CROSS HANDLE | FLTH01

TECHNICAL DETAILS

ADA Compliance: Yes
 Depth/Width: 67 mm
 Escutcheon Primary Material: Brass
 Fittings Hole Diameter: 114 mm
 Height: 140 mm
 Integrated Diverter: N
 Integrated Spray: N
 Length: 140 mm
 Number Of Handles: One
 Pivot: N
 Primary Material: Brass
 Spout Swivel: N
 Spray Included In Unit: N
 Suggested Application: Bath

INSPIRATION

Pure Modernism. Like minimalist works of art, the elegant proportions of these light, fluid elements bring sculptural reference to a room.

CODES & STANDARDS

ASME A112.18.1/CSA B125.1, State of MA

PRODUCT FEATURES

Cross Handles

Allows bather to adjust temperature of all waterway outlets with a hot limit safety stop providing anti-scald protection

Stocked in Chrome, Nickel, Brass and Matte Black

Requires rough valve, sold separately: GUTH60 (1/2") or GUTH38 (3/4")

CERTIFICATIONS



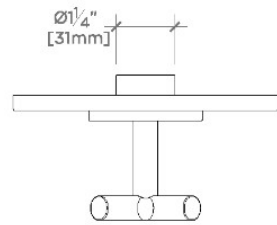
PRODUCT (NOTES)

Requires 1/2" valve rough GUTH56 (USA) or GU56TH (UK) sold separately

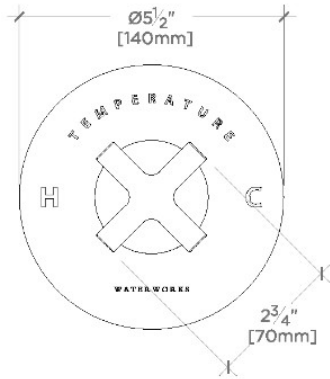
Flyte

FLTH01

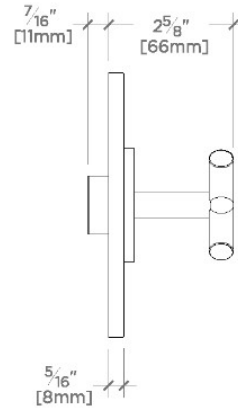
Flyte Thermostatic Control Valve Trim with Cross Handle



TOP VIEW SCALE: 3"=1'-0"



FRONT VIEW SCALE: 3"=1'-0"



SIDE VIEW SCALE: 3"=1'-0"