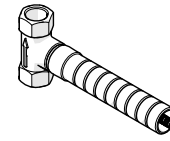
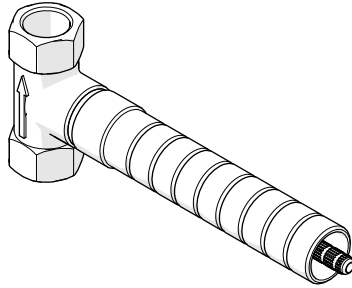


WATERWORKS

INSTALLATION GUIDELINES



STYLE No. GUVVC18, GU18VC, GUVVC19, GU19VC
ViaWorks 1/2" Volume Control Valve



STYLE	DESCRIPTION
GUVVC18	ViaWorks 1/2" Counter-Clockwise Open Volume Control Valve
GU18VC	
GUVVC19	ViaWorks 1/2" Clockwise Open Volume Control Valve
GU19VC	

VALVE FUNCTION:

- This VALVE controls on/off/volume only.

IMPORTANT:

- To ensure this product is installed properly, you must read and follow these guidelines.
- The owner/user of this VALVE must keep this information for future reference.
- This VALVE and associated TRIM (SOLD SEPARATELY) must be installed by a professional licensed contractor and must be on-site prior to rough-in, this allows the installer to visualize the installation.
- This VALVE is sold partially assembled but shown fully disassembled for illustrative and service purposes only. Inspect the VALVE to ensure you have all the parts required for proper installation.
- Be sure your installation conforms to all federal, state, and local codes. In the State of Massachusetts, all installations must comply with the rules and regulations set forth within 248 CMR.
- **CAUTION:** DO NOT APPLY DIRECT HEAT TO THE VALVE. If soldering any connections, make sure the CARTRIDGE is removed to prevent damage to the SEALS and other internal components.

- If further assistance is required, please contact Product Support at 1-800-927-2120 Monday through Friday, 8am - 6pm EST.
- Refer to the separate Service Parts Documents for available replacement parts.

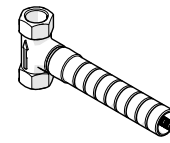
TECHNICAL DETAILS:

DETAIL	SPECIFICATION
HANDLE TURN ANGLE	QUARTER TURN
FITTING HOLE DIAMETER	Ø1-3/8" [Ø35mm]*
INLET AND OUTLET CONNECTION	1/2" FEMALE NPT †
UNRESTRICTED MAX FLOW RATE @ 45PSI [3BAR]:	6gpm [23L/min]
VALVE MATERIAL	CERAMIC
WATER PRESSURE RANGE	20psi [1.5 bar] MIN 85psi [6.0 bar] MAX
WATER PRESSURE RECOMMENDED	45psi [3.0 bar]

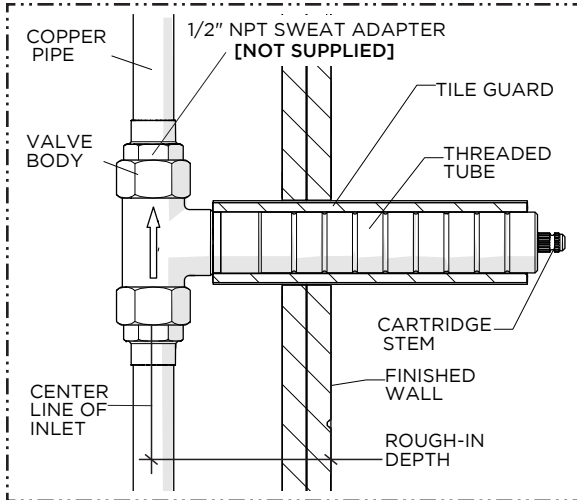
* Ø1-3/8" [Ø35mm] hole is required for servicing.

† Style No. **GU18VC** and **GU19VC** are provided with 1/2" FEMALE BSPP threaded inlet and outlet connections.

WATERWORKS INSTALLATION GUIDELINES

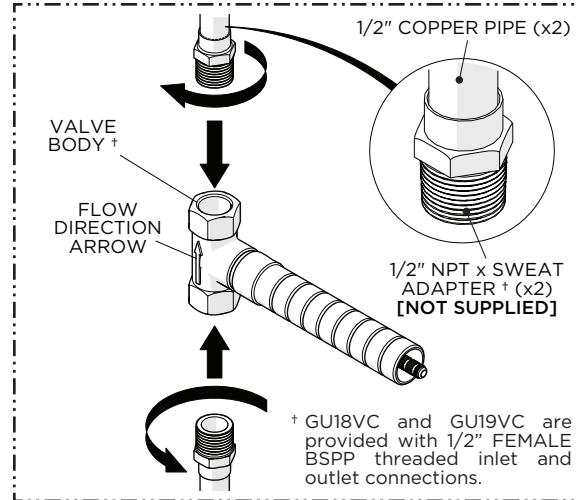


STYLE No. GUV18, GU18VC, GUV19, GU19VC
ViaWorks 1/2" Volume Control Valve



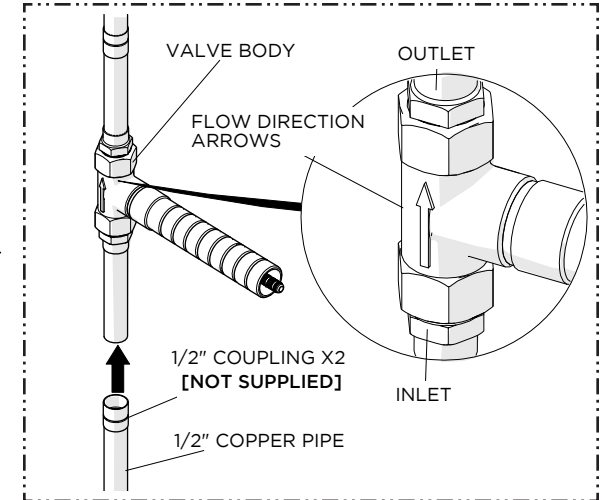
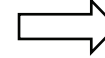
See the Installation Guidelines of the specific TRIM [SOLD SEPARATELY] being used for the **MAX** and **MIN** rough-in depth dimensions.

The rough-in depth is measured from the centerline of the inlets to the surface of the finished wall.

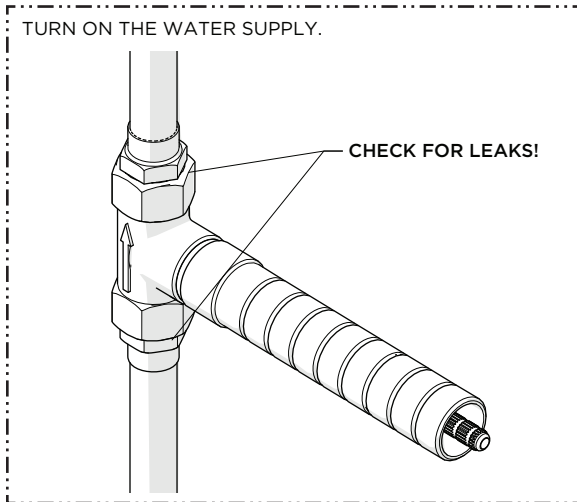


1. Pre-solder 1/2" COPPER PIPE to two 1/2" MALE NPT x SWEAT ADAPTERS[†] [NOT SUPPLIED] then thread the ADAPTERS into the VALVE BODY.

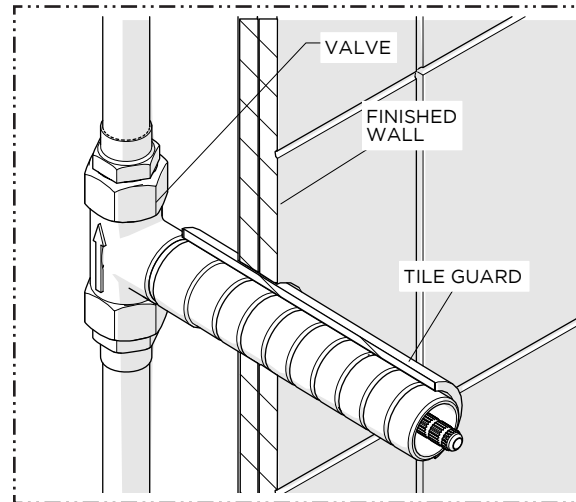
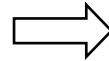
NOTE: PIPES must be as long as possible to avoid heating the VALVE and damaging the CARTRIDGE.



2. Run 1/2" copper supply lines to the appropriate height and depth then connect to the VALVE using 1/2" COUPLINGS [NOT SUPPLIED]. Make sure the supplies are piped according to the FLOW DIRECTION ARROWS marked on the VALVE BODY.



3. Verify the supplies are secure and level prior to making final sweat connections then turn on the water supply and inspect all connections for leaks.



4. Install the TILE GUARD to protect the VALVE during the completion of the FINISHED WALL.

NOTE: The TILE GUARD will ensure the exact openings for the CARTRIDGE is created. Access is required for future servicing.