

## BOND

BTH42A

Bond Tandem Series Integrated Thermostatic and Two Way Diverter  
Trim with Guilloche Lines Knob and Lever Handles



### TECHNICAL DETAILS

ADA Compliance: Yes  
Integrated Diverter: N  
Number of Holes: Two Hole  
Primary Material: Brass

### INSPIRATION

The Bond Collection: Modern bath designs infused with rare soul and artistry. Explore a range of statement-making elements: fittings, washstands, mirrors and more.

### PRODUCT FEATURES

Knob and Lever Handles

Allows bather to adjust temperature of all waterway outlets with a hot limit safety stop providing anti-scald protection

Features Linear Guilloche Etching Lever and Knob Handles

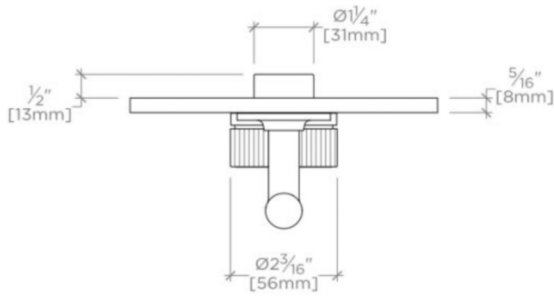
Stocked in Nickel and Brass

Requires rough valve, sold separately: GUTH72 (USA) or GU72TH (UK/International)

## BOND

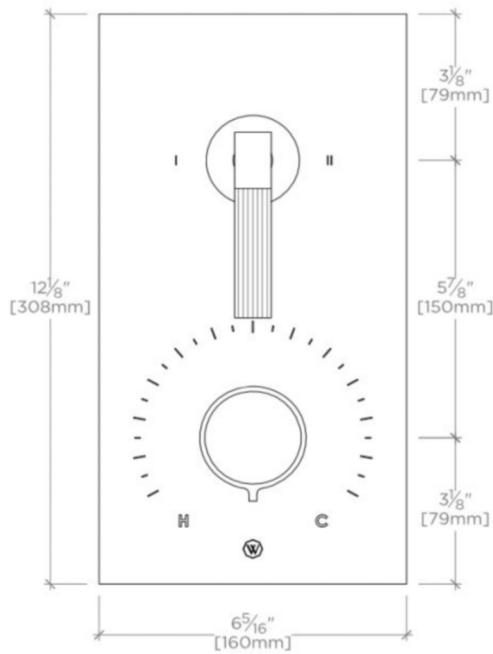
## BTH42A

Bond Tandem Series Integrated Thermostatic and Two Way Diverter  
Trim with Guilloche Lines Knob and Lever Handles



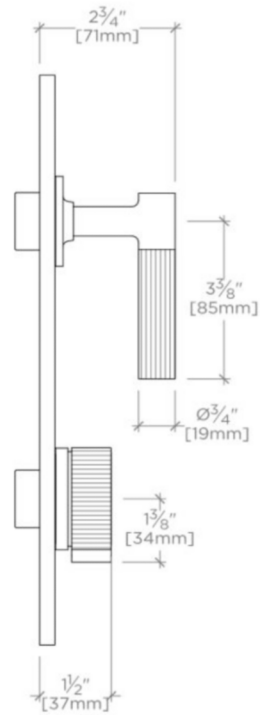
TOP VIEW

SCALE: 3"=1'-0"



FRONT VIEW

SCALE: 3"=1'-0"



SIDE VIEW

SCALE: 3"=1'-0"