

BOULEVARD

BDTF89

Boulevard Low Profile Concealed Tub Filler With Handshower and Crystal Lever Handles



TECHNICAL DETAILS

ADA Compliance: Yes
Adjustable versus Fixed Spray: Fixed Spray
Deck Thickness Maximum: 1 11/16"
Deck Thickness Minimum: 0"
Fittings Hole Diameter: 1 3/8"
Flow Restriction Options: 2.0, 1.75, 1.5, 0.92
Handle Spread Maximum: 12"
Handle Spread Minimum: 10"
Handle Turn Angle: Quarter Turn
Handshower / Spray Hose Length: 79"
Depth / Width: 11"
Height: 6"
Inlet Connection Size: 3/4"
Inlet Connection Type: Male NPT Adapter
Inlet Supply Spread Maximum: 12"
Inlet Supply Spread Minimum: 10"
Installation Type: Deck Mounted
Integrated Diverter: N
Length: 13"
Number of Handles: Two
Number of Holes: Four Hole
Pivot: N
Primary Material: Brass
Restricted Maximum Flow Rate: 2.5 gpm
Spout Reach: 9"
Spout Swivel: N
Suggested Application: Bath
Water Pressure Maximum: 85.0 psi
Water Pressure Minimum: 20.0 psi
Water Pressure Recommended: 45.0 psi

INSPIRATION

Drawing inspiration from found objects of the 1930's, Boulevard evokes a spirit of extravagance, exuding a strong silhouette, lavish scale, and elegant decoration. The crisp detail and repeated curves require both machine and the artisan hands.

CODES & STANDARDS

Code # BDTU89: ASME A112.18.1, CSA B125, IAPMO, State of MA

PRODUCT FEATURES

Brass metal is used for all trim and valve components.
Standard flow rate is 2.5gpm for handshower only. Also available in high efficient flow options.
Contact your sales associate or call 1 (800) 899-6757 for details.

CERTIFICATIONS

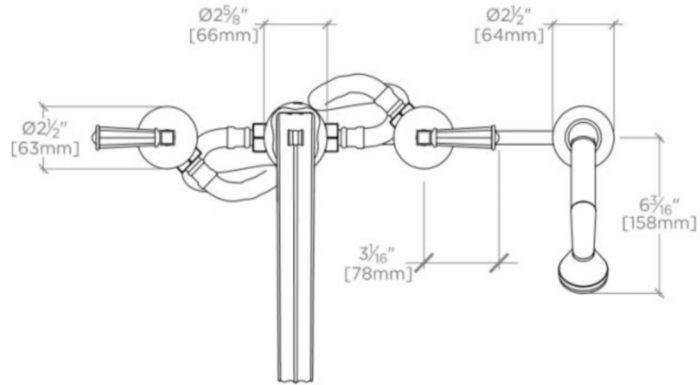


WATERWORKS

BOULEVARD

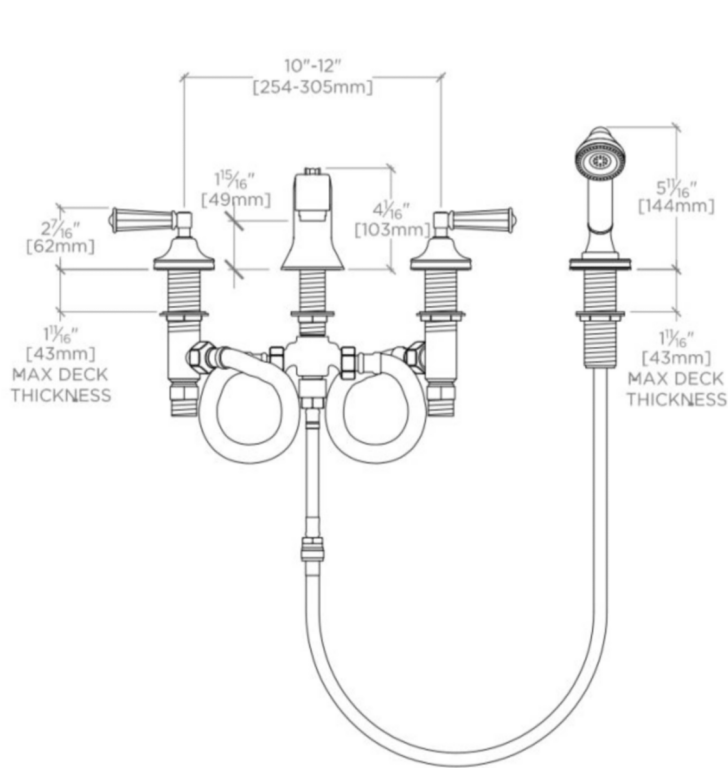
BDTF89

Boulevard Low Profile Concealed Tub Filler With Handshower and Crystal Lever Handles



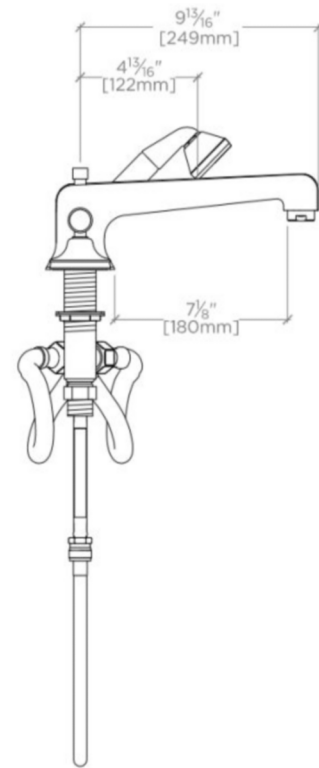
TOP VIEW

SCALE: $1\frac{1}{2}"=1'-0"$



FRONT VIEW

SCALE: $1\frac{1}{2}"=1'-0"$



SIDE VIEW

SCALE: $1\frac{1}{2}"=1'-0"$