

Aero

AEHW15

Aero 14" Appliance Pull



SHOWN IN AERO 14" APPLIANCE PULL | AEHW15

TECHNICAL DETAILS

INSPIRATION

Inspired by vintage telescope details, Aero combines old-world charm with modern edge. These original, enduring pieces have the rare quality of feeling collected and curated – and work beautifully whether your style leans traditional or contemporary.

CODES & STANDARDS

PRODUCT FEATURES

Solid Brass

Machined and hand-polished

Made in Portugal

Includes 2 x M4 Pan Head Slot 1" Machine Screw and 2 x M4 Pan Head Slot 1 1/2" Machine Screw

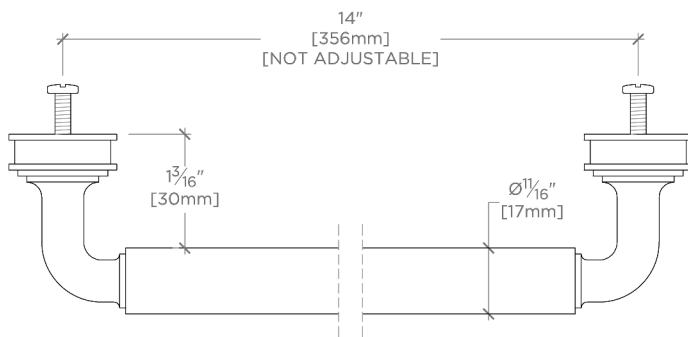
CERTIFICATIONS

PRODUCT (NOTES)

Aero

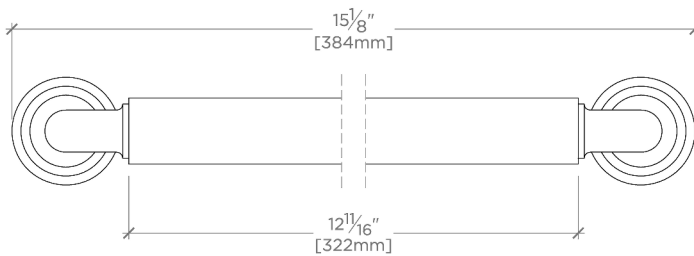
AEHW15

Aero 14" Appliance Pull



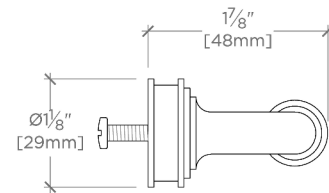
TOP VIEW

SCALE: 6"=1'-0"



FRONT VIEW

SCALE: 6"=1'-0"



SIDE VIEW

SCALE: 6"=1'-0"