

ASTRAL

ATWS02

Astral Metal Apron two legs with MRLVCU Sink and 36" 5CM Slab with Fluted Slab and Smooth Backsplash



SHOWN IN ASTRAL METAL APRON TWO LEGS WITH MRLVCU SINK AND 36" 5CM SLAB WITH FLUTED SLAB AND SMOOTH BACKSPASH | ATWS02

TECHNICAL DETAILS

ADA Compliance: No
Adjustable Levelers Feet: Y
Depth To Overflow: 2.67"
Depth/Width: 23"
Drain Hole Depth: 1 7/8"
Drain Hole Diameter: 1 3/4"
Drain Style: Center Drain
Fittings Hole Diameter: 1 3/8"
Height: 33"
Leg Material: Brass
Length: 36"
Number Of Legs: Two
Overflow Opening: Yes
Suggested Application: Bath

INSPIRATION

Astral achieves clean transitional elegance through solid brass construction and refined marble detailing. Vertical fluting at the countertop's perimeter creates textured dimensionality, while the integral backsplash maintains the design's simplified form.

CODES & STANDARDS

PRODUCT FEATURES

Washstand made in the UK with Solid Brass faceted legs

Fluted edge detailing carved into 5CM marble top in the Waterworks Cut

Packages available in Brass and Nickel

Includes sink and choice of 5CM stone top in one of our 8 standard offerings

CERTIFICATIONS

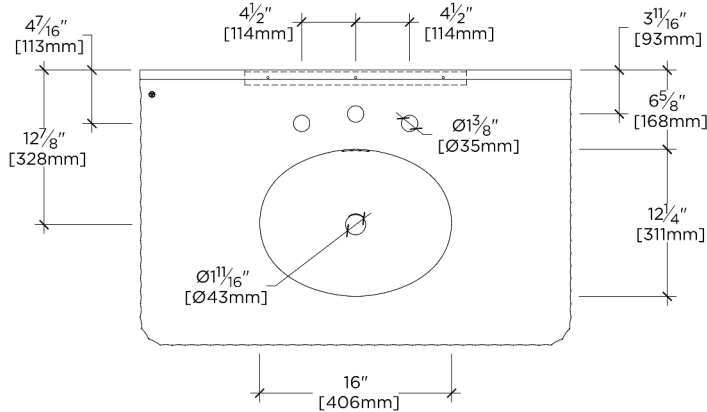
PRODUCT (NOTES)

WATERWORKS

ASTRAL

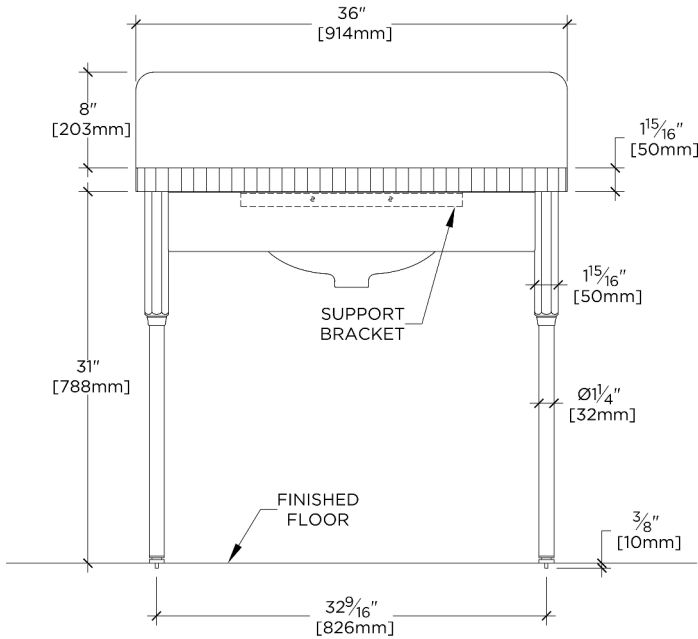
ATWS02

Astral Metal Apron two legs with MRLVCU Sink and 36" 5CM Slab with Fluted Slab and Smooth Backsplash



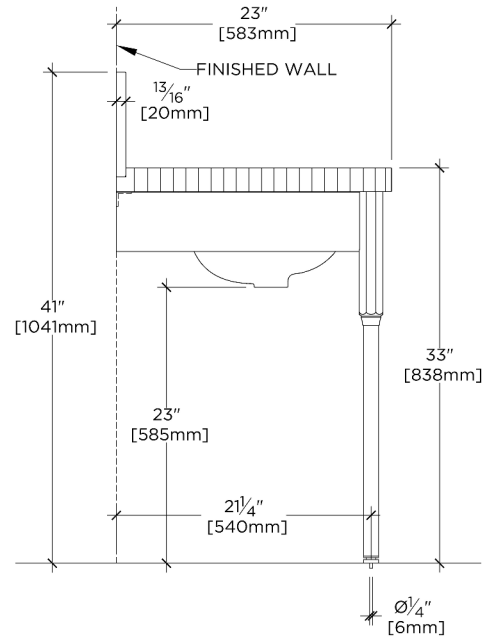
TOP VIEW

SCALE: 3/4"=1'-0"



FRONT VIEW

SCALE: 3/4"=1'-0"



SIDE VIEW

SCALE: 3/4"=1'-0"