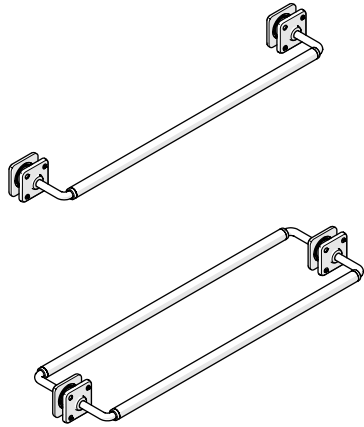


INSTALLATION GUIDELINES

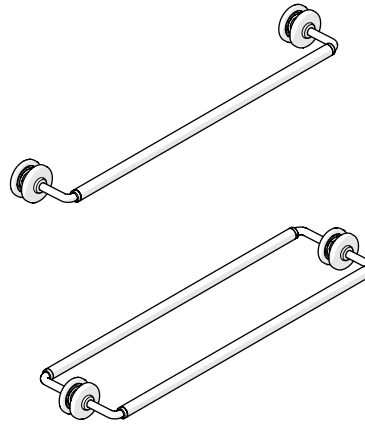
GLASS MOUNTED TOWEL BAR

LUDLOW SINGLE OR DOUBLE SIDED GLASS MOUNTED TOWEL BAR



| STYLES | |
|----------------|----------------|
| LD18G1 [SHOWN] | LD18G2 [SHOWN] |
| LD24G1 | LD24G2 |

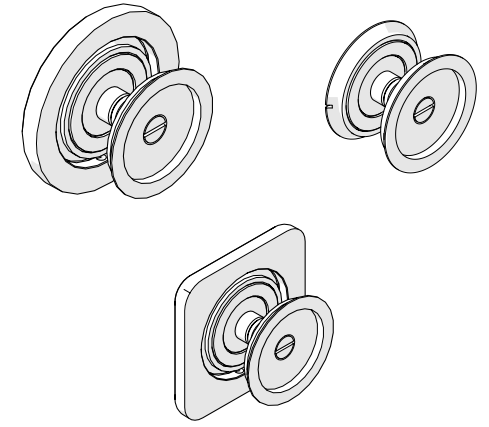
LUDLOW VOLTA SINGLE OR DOUBLE SIDED GLASS MOUNTED TOWEL BAR



| STYLES | |
|----------------|----------------|
| LD45G1 [SHOWN] | LD45G2 [SHOWN] |
| LD65G1 | LD65G2 |

WATERWORKS

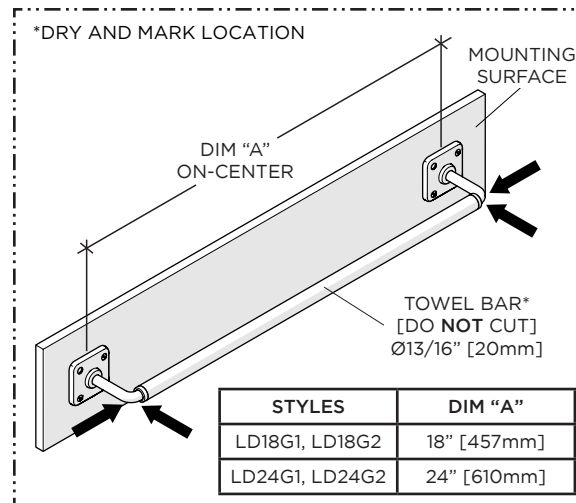
SINGLE OR DOUBLE SIDED GLASS MOUNTED ADAPTER



| STYLES | |
|--------|--------|
| 100705 | 100726 |
| 100755 | |

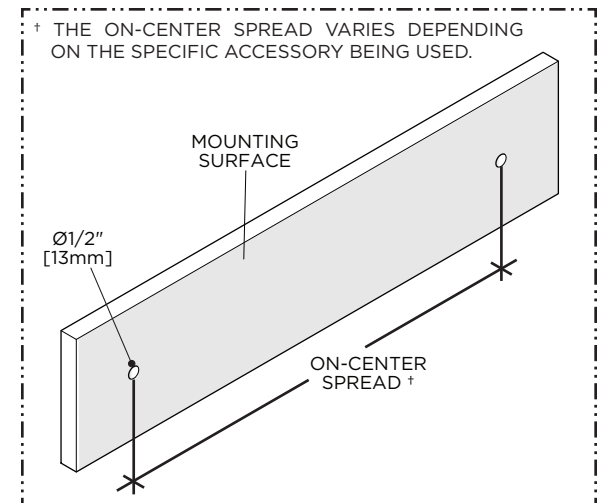
IMPORTANT:

- To ensure this product is installed properly, you must read and follow these guidelines.
- The owner/user of this product must keep this information for future reference.
- This product must be installed by a professional licensed contractor.
- Inspect this product to ensure you have all the parts required for proper installation.
- DRYWALL ANCHORS for a typical drywall installation are provided. Do **NOT** use the ANCHORS if mounting directly onto wood blocking or a stud.
- If further assistance is required, please contact Product Support at 1-800-927-2120 Monday through Friday, 8am - 6pm EST.
- Refer to the separate Service Parts Documents for available replacement parts.



1. Dry-fit the TOWEL BAR to the MOUNTING SURFACE and mark the ideal location making sure to hold the BAR level.

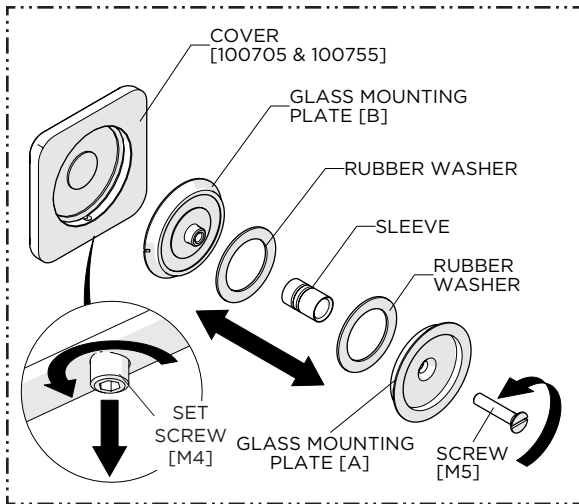
NOTE: The TOWEL BAR cannot be field cut, verify the on-center spread, DIM "A".



2. Ensure any pre-drilled hole is a 1/2" [13mm]. For ACCESSORIES with 2 mounting holes, ensure the holes are level and at the proper on-center spread.

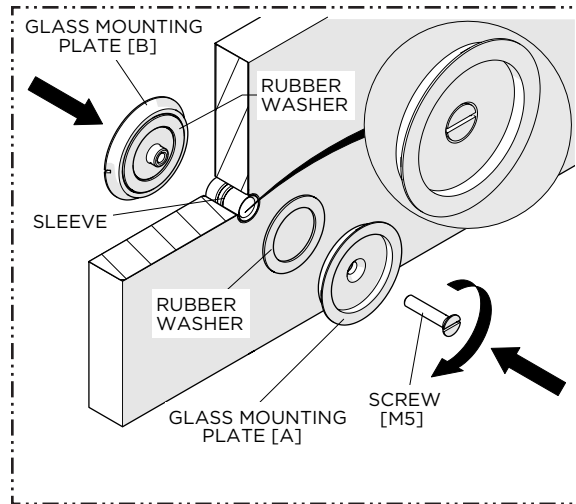
INSTALLATION GUIDELINES

GLASS MOUNTED TOWEL BAR



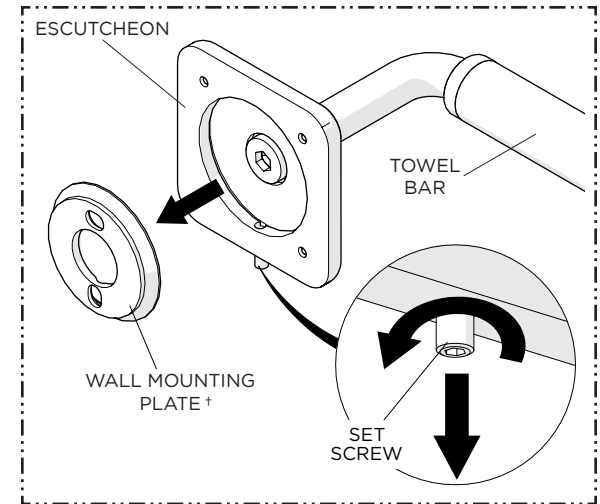
3. Disassemble the ADAPTER components by unthreading the SCREW on the GLASS MOUNTING PLATE [A].

NOTE: Remove the COVER used on style numbers 100705 & 100755 by loosening the SET SCREW.



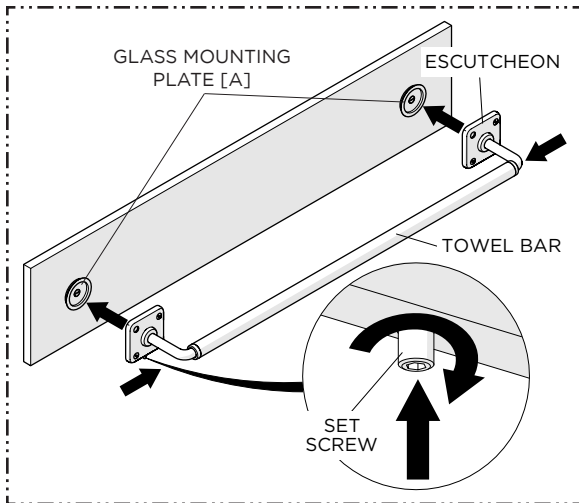
4. Insert the SLEEVE into the pre-drilled hole, then reassemble the GLASS MOUNTING PLATES using the provided SCREW and RUBBER WASHERS.

NOTE: The SLEEVE can be cut and two SCREWS [M5] are provided to accommodate different glass thicknesses.

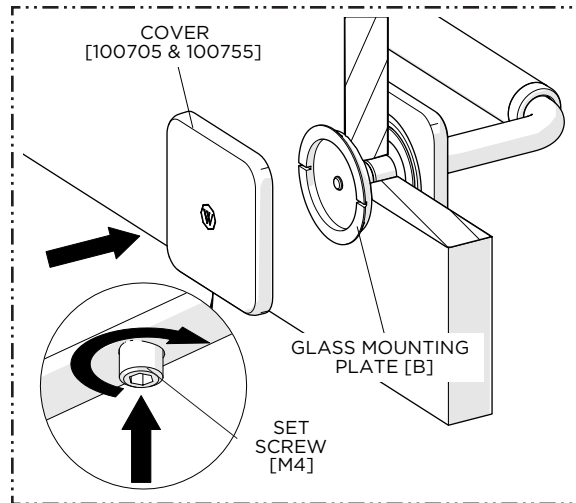


5. Loosen, but do **NOT** remove, the SET SCREWS on each side of the TOWEL BAR ESCUTCHEONS.

† **NOTE:** Replace the WALL MOUNTING PLATE with the GLASS ADAPTER MOUNTING PLATE.

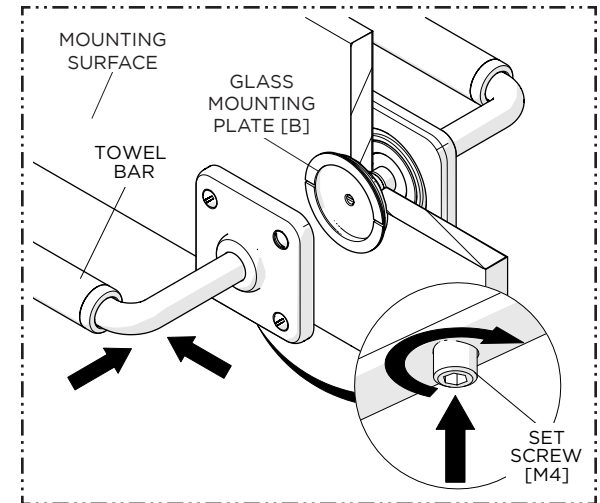


6. While holding the ENDS and BAR together, place the ESCUTCHEONS onto the GLASS MOUNTING PLATES making sure they are fully seated, securely tighten the SET SCREWS using 1/16" [1.5mm] HEX key.



FOR STYLE No. LD18G1 or LD24G1 or LD45G1 or LD64G1 ONLY:

7. With proper orientation, reattach the COVER using the SET SCREW.



FOR STYLE No. LD18G2 or LD24G2 or LD45G2 or LD64G2 ONLY:

8. Repeat Step 5 and 6 for installing the TOWEL BAR on the other side.